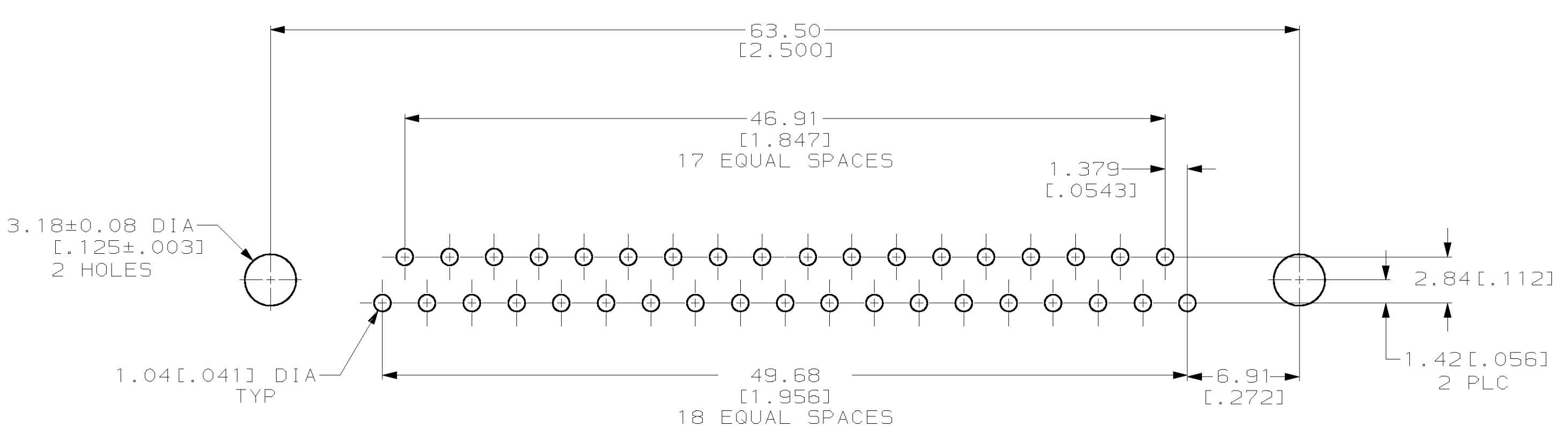
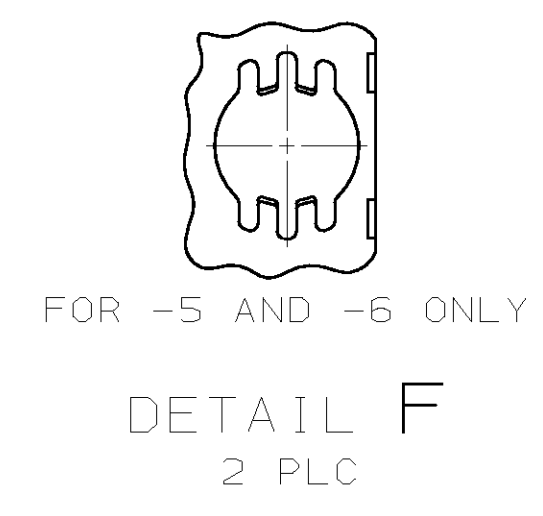
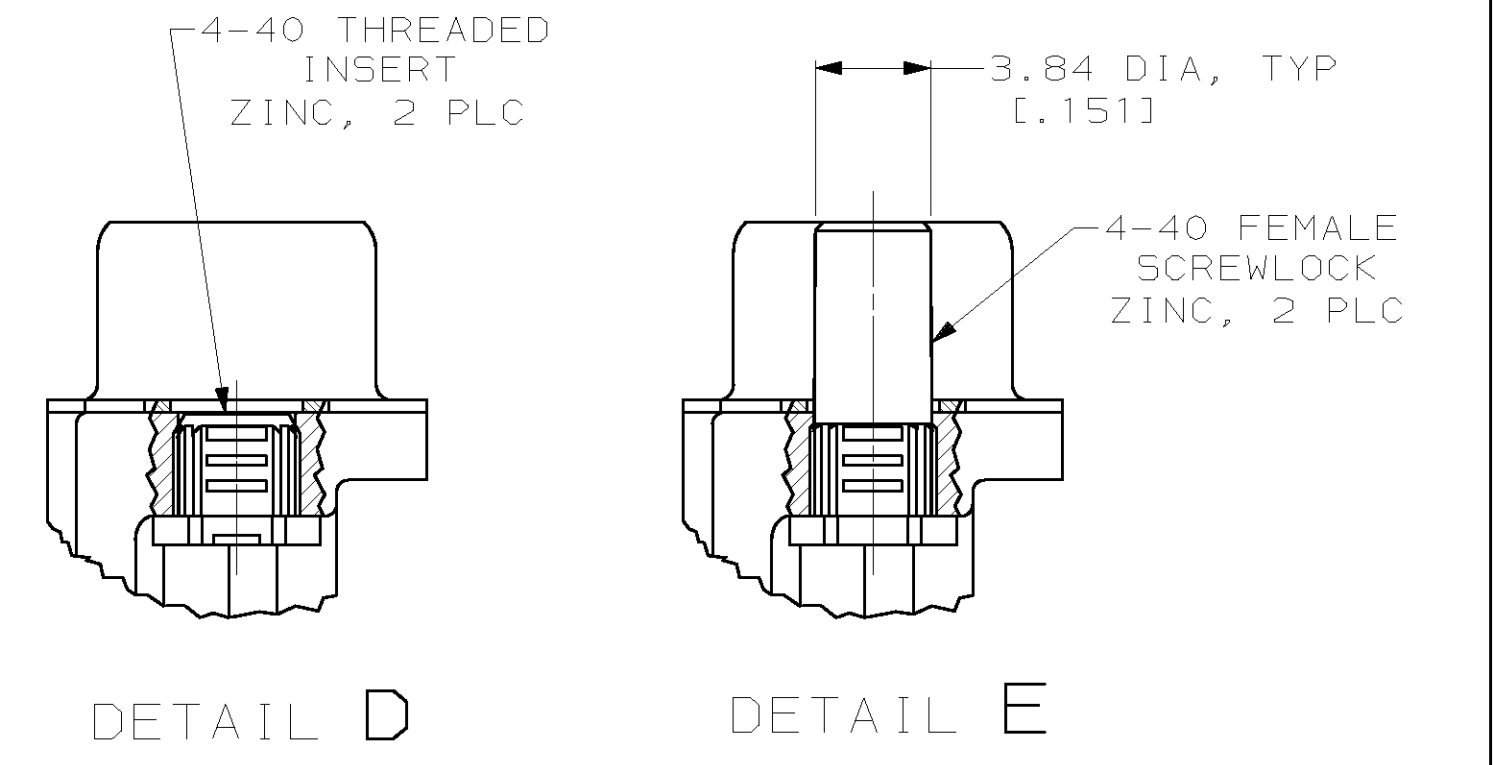
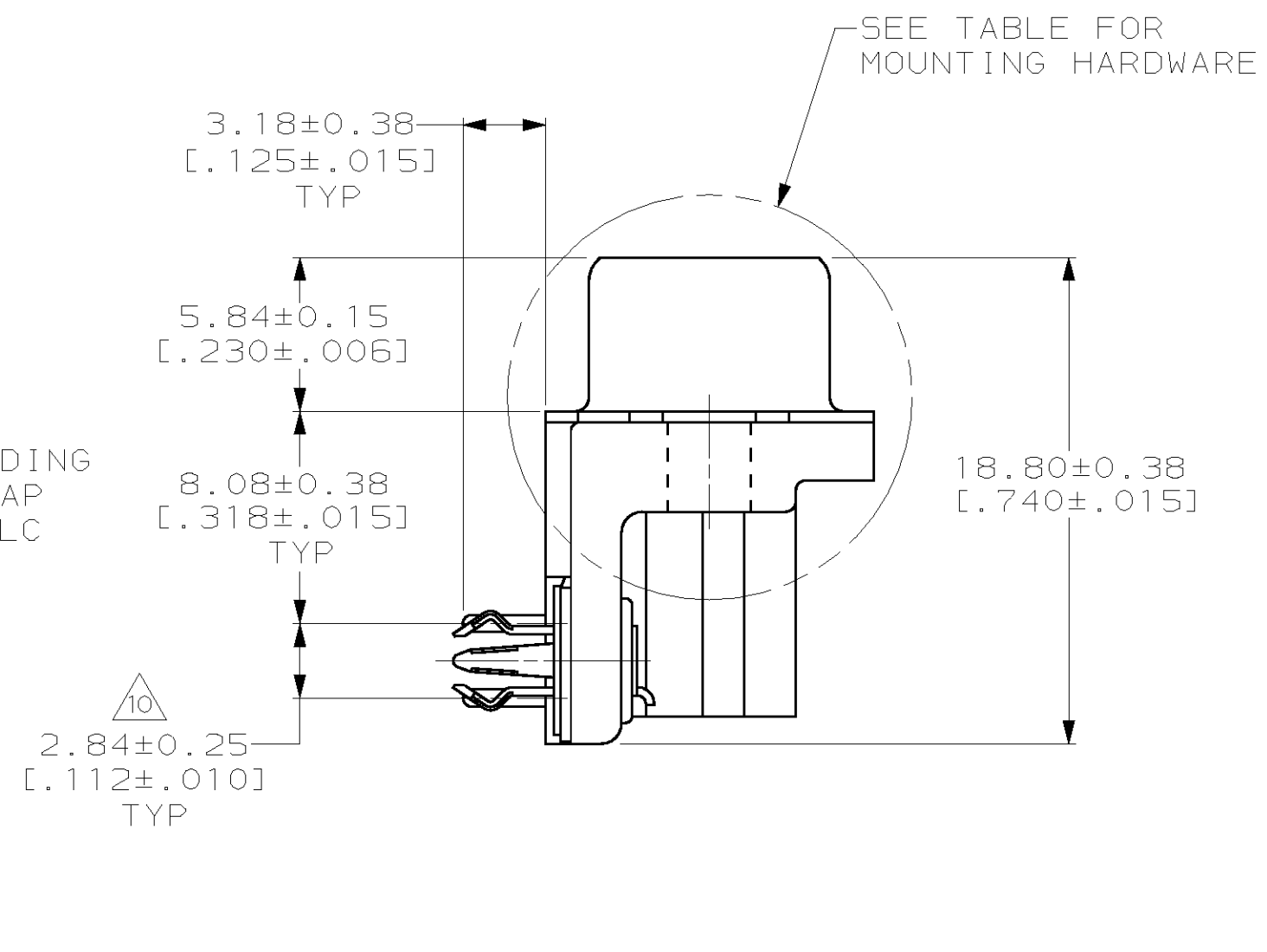
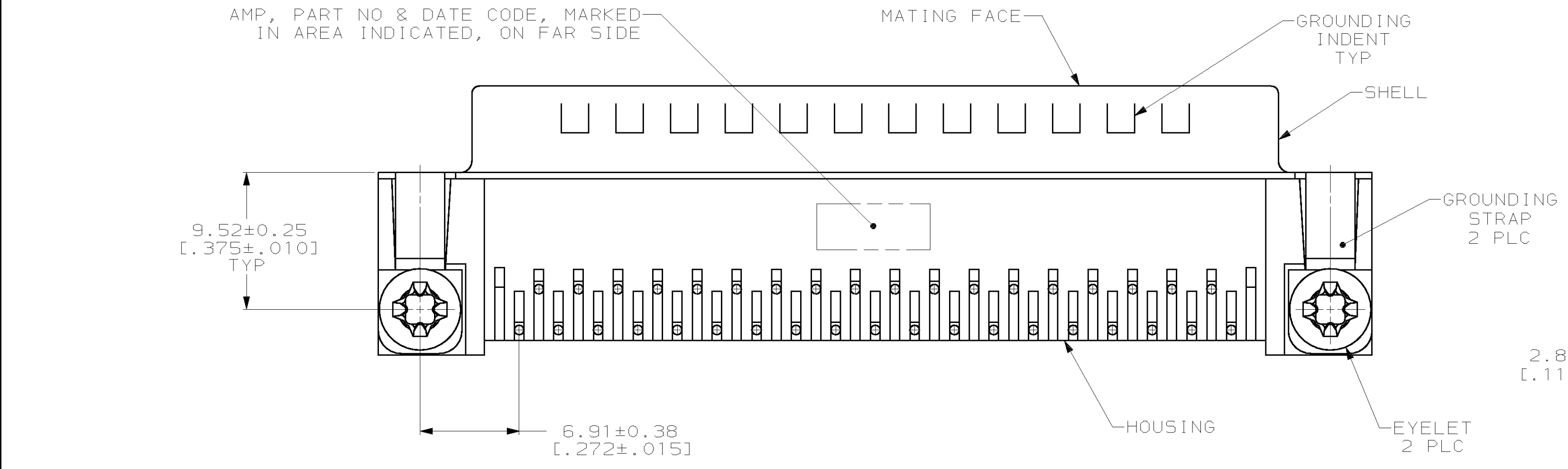


- 1 NYLON OR POLYESTER, FLAME RETARDANT, UL 94V-0 RATED, GLASS FILLED, BLACK.
- 2 BRASS PER MIL-C-50.
- 3 CARBON STEEL PER ASTM A109.
- 4 EYELETS: BRASS; BOARDLOCKS: COPPER ALLOY.
- 5 GOLD PLATING PER MIL-G-45204, NICKEL PLATING PER QQ-N-290, TIN PLATING PER MIL-T-10727; COPPER PLATING PER MIL-C-14550.
- 6 2.54µm [.000100] MIN TIN OVER 1.27µm [.000050] MIN COPPER.
- 7 EYELETS: 5.08µm [.000200] MIN TIN OVER COPPER FLASH. BOARDLOCKS: 5.08µm [.000200] MIN TIN-LEAD OVER 1.27µm [.000050] MIN NICKEL.
- 8 GOLD PLATED FOR LENGTH OF 3.81 [.150] MIN FROM MATING END, GOLD FLASH IN MATED AREA, 2.54µm [.000100] MIN TIN OR TIN-LEAD FOR A LENGTH OF 3.56 [.140] MIN FROM OPPOSITE END, BOTH OVER 1.27µm [.000050] MIN NICKEL.
- 9 GOLD PLATED FOR A LENGTH OF 3.81 [.150] MIN FROM MATING END, 0.76µm [.000030] MIN GOLD IN MATED AREA, 2.54µm [.000100] MIN TIN OR TIN-LEAD FOR A LENGTH OF 3.56 [.140] MIN FROM OPPOSITE END, BOTH OVER 1.27µm [.000050] MIN NICKEL.
- 10 DIMENSION APPLIES FROM CENTER OF CONTACTS.



RECOMMENDED P.C. BOARD MOUNTING DIMENSIONS
 P.C. BOARD THICKNESS: 1.57 [.062]

SEE DETAIL E	9	747843-6
SEE DETAIL E	8	747843-5
SEE DETAIL D	7	747843-4
SEE DETAIL D	6	747843-3
-	5	747843-2
-	4	747843-1
MOUNTING HARDWARE	CONTACT FINISH	PART NUMBER

THIS DRAWING IS A CONTROLLED DOCUMENT.		DWN W.G. LENKER 05-OCT-99	AMP Incorporated Harrisburg, PA 17105-3608
DIMENSIONS: mm [INCHES]		CHK R. STONE 05-FEB-90	NAME PLUG ASSEMBLY, SIZE 4, 37 POSITION, RIGHT ANGLE, FRONT METAL SHELL, .318 SERIES, BOARDLOCKS, AMPLIMITE® HD-20
TOLERANCES UNLESS OTHERWISE SPECIFIED:		APVD M.D. GALLOWAY 06-FEB-90	PRODUCT SPEC 108-40025
0 PLC ±.015		APPLICATION SPEC 114-40010	SIZE A1
1 PLC ±.010		RESTRICTED TO	SCALE 4:1
2 PLC ±.0075		WEIGHT	SHEET 1 OF 1
3 PLC ±0.13 [.005]		CUSTOMER DRAWING	REV M
4 PLC ±.010			
MATERIAL	CONTACTS	FINISH	HARDWARE
HOUSING, 1	CONTACTS, 2	SHELL, 3	HARDWARE, 4
SHELL, 5	HARDWARE, 6	INSERTS, CLEAR CHROMATE	SCREWLOCKS, CLEAR CHROMATE