

PLEASE CHECK WWW.MOLEX.COM FOR LATEST PART INFORMATION

Part Number: [0019092098](#)
Status: **Active**
Overview: Standard .093" Pin and Socket Connectors
Description: 2.36mm Diameter Standard .093" Pin and Socket Plug Housing with Positive Latch, UL 94V-2, with Panel Mount, 9 Circuits

Documents:

3D Model	Product Specification PS-3191-001-001 (PDF)
3D Model (PDF)	Packaging Specification 31910002-PK-000 (PDF)
Drawing (PDF)	RoHS Certificate of Compliance (PDF)

Agency Certification

CSA	LR19980
UL	E29179

General

Product Family	Crimp Housings
Series	3191
Application	Power, Wire-to-Wire
Comments	Polarized to Mating Part
Overview	Standard .093" Pin and Socket Connectors
Product Name	Standard .093"
UPC	800753594258

Physical

Breakaway	No
Circuits (maximum)	9
Circuits Detail	3x3
Color - Resin	Natural
Flammability	94V-2
Gender	Plug
Glow-Wire Capable	No
Keying to Mating Part	None
Lock to Mating Part	Yes
Material - Resin	Nylon
Net Weight	10.862/g
Number of Rows	3
Packaging Type	Bag
Panel Mount	Yes
Pitch - Mating Interface	6.70mm
Polarized to Mating Part	Yes
Stackable	No
Temperature Range - Operating	-40° to +105°C

Electrical

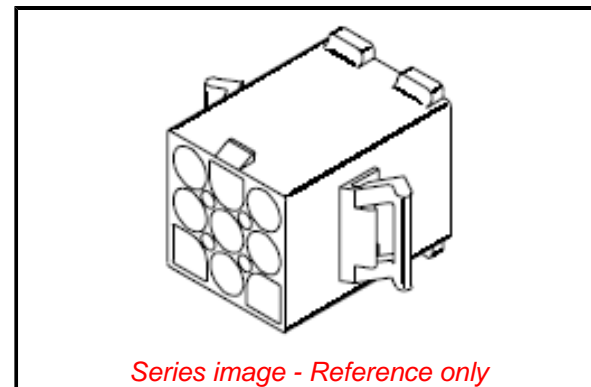
Current - Maximum per Contact	8.0A
-------------------------------	------

Material Info

Engineering Number	3191-9P
--------------------	---------

Reference - Drawing Numbers

Packaging Specification	31910002-PK-000
Product Specification	PS-3191-001-001
Sales Drawing	31910900-SD-000



EU ELV

Not Relevant

EU RoHS

Compliant

REACH SVHC

Not Contained Per -
D(2020)9139-DC (19
Jan 2021)

Halogen-Free

Status

Low-Halogen

For more information, please visit [Contact US](#)

China ROHS

ELV

RoHS Phthalates

China RoHS

Green Image

Not Relevant

Not Contained

Search Parts in this Series

[3191 Series](#)

Mates With

[19091096](#) , [19091099](#)

Use With

Female Crimp Terminals [1189](#) , [1381](#) , [1433](#) , [2151](#) , [2273](#) , [2871](#) , Male Crimp Terminals [1190](#) , [1380](#) , [1434](#) , [1973](#) , [2870](#) , [4272](#) , Female PC Tail Terminals [2605](#) , Male PC Tail Terminals [2606](#)

PLEASE CHECK WWW.MOLEX.COM FOR LATEST PART INFORMATION