

4

3

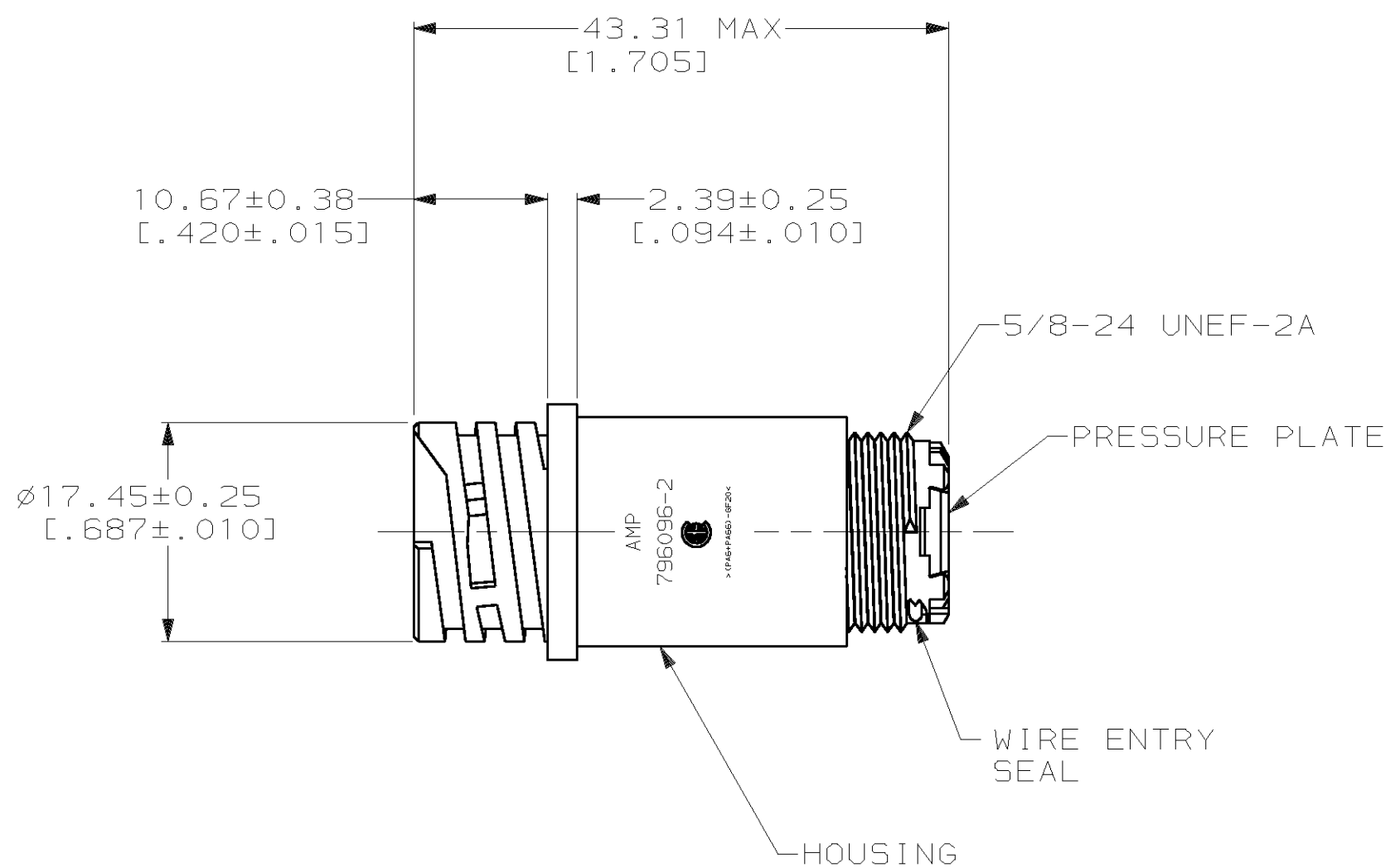
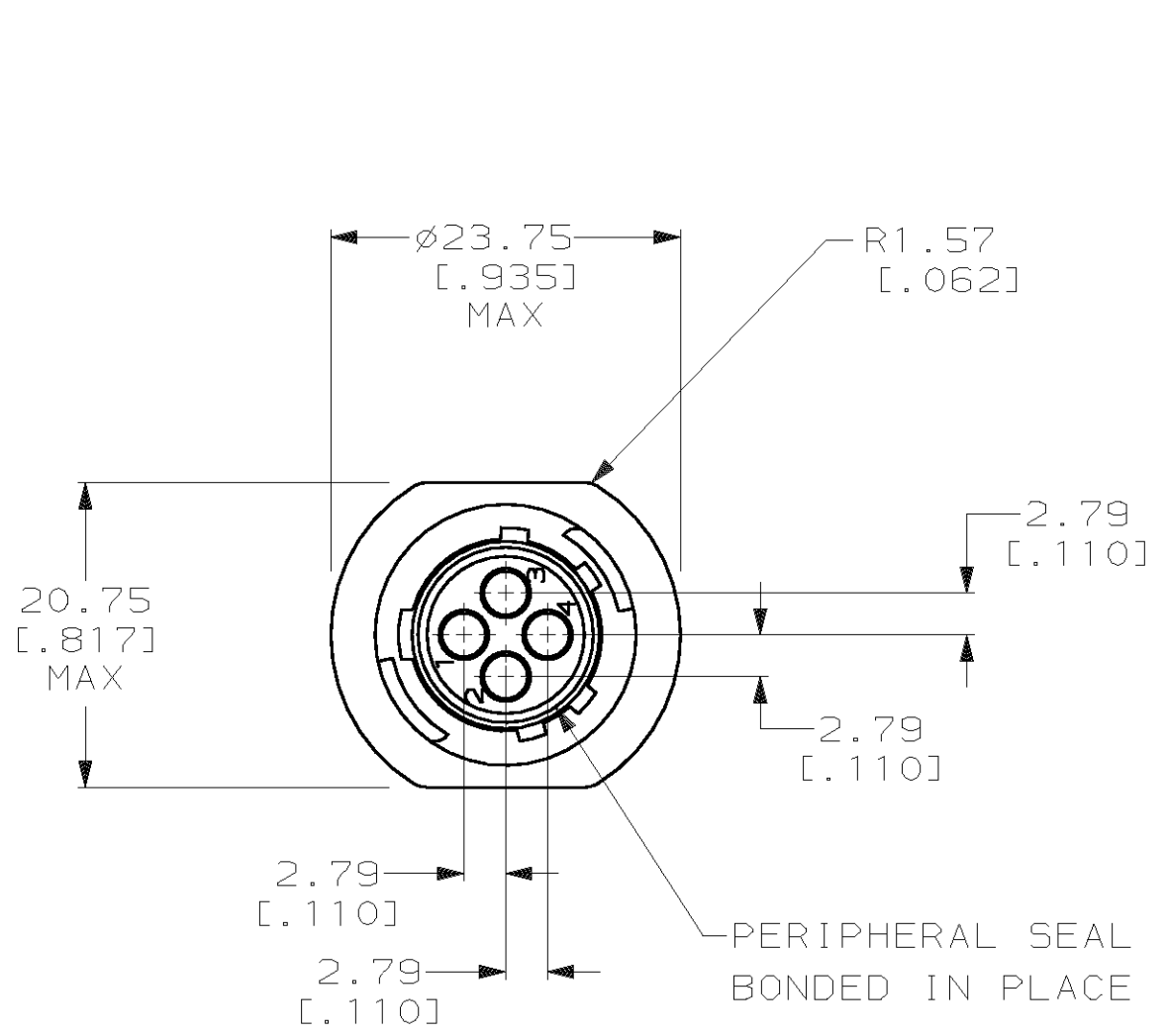
2

1

THIS DRAWING IS UNPUBLISHED. RELEASED FOR PUBLICATION, 19 .

© COPYRIGHT 19 BY AMP INCORPORATED. ALL RIGHTS RESERVED.

LOC	DIST	REVISIONS			
P	LTR	DESCRIPTION	DATE	DWN	APVD
FT	4				
		RELEASED PER NPR 5710	24 SEP 98	-	-
		WAS 98-7970-13-4			



- THIS PART WILL ACCEPT FOUR (4) MULTIMATE PIN CONTACTS.
- HOUSING AND PRESSURE PLATE: NYLON, BLACK.
PERIPHERAL SEAL: ELASTOMER, GRAY.
WIRE ENTRY SEAL: ELASTOMER, RED-IRON OXIDE.

796096-2
PART NUMBER

THIS DRAWING IS A CONTROLLED DOCUMENT.		DWN C. DORWART 24 SEP 98	AMP AMP Incorporated Harrisburg, PA 17105-3608			
DIMENSIONS: mm [INCHES]		CHK R. WALTER 24 SEP 98				
TOLERANCES UNLESS OTHERWISE SPECIFIED:		APVD R. WALTER 24 SEP 98	NAME RECEPTACLE ASSEMBLY, 11-4, STANDARD SEX, SERIES I, SEALED, CIRCULAR PLASTIC CONNECTOR			
MATERIAL		PRODUCT SPEC	SIZE	CAGE CODE	DRAWING NO	RESTRICTED TO
FINISH		APPLICATION SPEC	A3	00779	C- 796096	-
CUSTOMER DRAWING		WEIGHT	SCALE 2:1		SHEET 1 OF 1	REV 0