

LED COLOR = WATER CLEAR

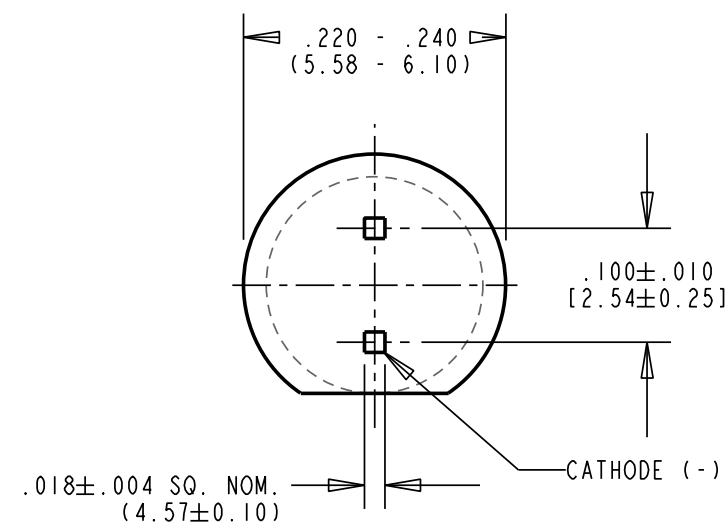
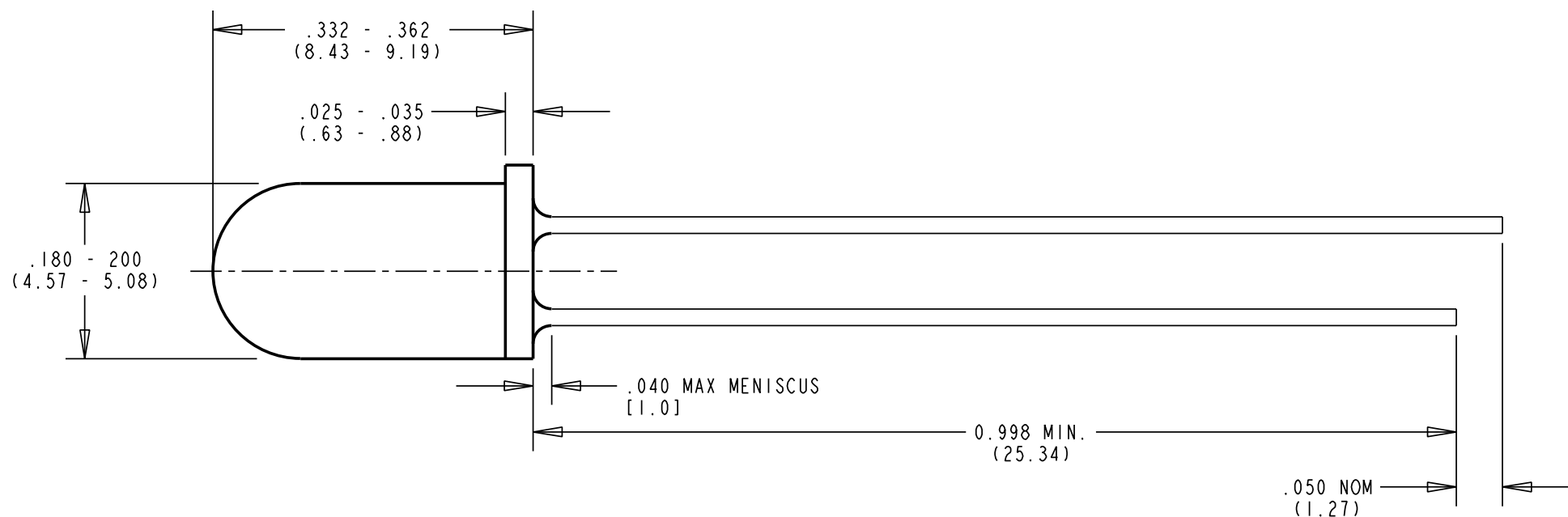
OPERATING CHARACTERISTICS AT 25°C AMBIENT

| CHARACTERISTICS    | MIN | TYP | MAX | UNITS  | TEST CONDITIONS       |
|--------------------|-----|-----|-----|--------|-----------------------|
| LUMINOUS INTENSITY | 80  | 125 |     | mcd    | $I_f = 20 \text{ mA}$ |
| FORWARD VOLTAGE    |     | 2.2 | 3.0 | V      | $I_f = 20 \text{ mA}$ |
| REVERSE VOLTAGE    | 5.0 |     |     | V      | $I_r = 10 \text{ mA}$ |
| PEAK WAVELENGTH    |     | 635 |     | nm     |                       |
| VIEWING ANGLE      |     | 24  |     | Degree |                       |

| REV | ECN NO | REVISIONS   | DRN | CKD | APP | DATE |
|-----|--------|-------------|-----|-----|-----|------|
| A   | —      | NEW RELEASE | SM  |     |     |      |

NOTES:


- LEAD SPACING MEASURED NEAR EPOXY PACKAGE.
- LEAD FINISH: TIN (Sn) SILVER (Ag), COPPER (Cu) IN THICKNESS OF 50/100 MICRONS, BASE METAL: MILD STEEL.
- DIALIGHT PART NO. 521-9464F.
- DIE: GaAsP/GaP (RED LED)



**RoHS Compliant 521-9464F Thru hole Single Color LED**

Part Numbers with the "F" suffix ending are RoHS Compliant.  
 Example: 521-9464F  
 The bag packaging is marked with "RoHS Compliant" label or equivalent markings.  
 Parts can be wave soldered, dip soldered or hand soldered using typical lead-free soldering process with max 260°C temp. for 5 sec.

| ABSOLUTE MAXIMUM RATING AT 25°C AMBIENT             | UNITS | WATER CLEAR |
|---|-------|-------------|
| POWER DISSIPATION                                   | mW    | 135         |
| CONTINUOUS FORWARD CURRENT                          | mA    | 30          |
| DERATE LINEARLY FROM 25°C                           | mA/°C | 1.8         |
| PEAK TRANSIENT CURRENT 10µs PULSE                   | mA    | 500         |
| LEAD SOLDERING TEMPERATURE, 5 SEC., 1/16" FROM BASE | °C    | 260         |
| OPERATING TEMPERATURE                               | °C    | -55 TO +100 |
| STORAGE TEMPERATURE                                 | °C    | -55 TO +100 |

|   |  |               |
|---|--|---------------|
| THIS DRAWING AND THE CONTENTS HEREIN ARE CONFIDENTIAL AND THE SOLE PROPERTY OF DIALIGHT. REPRODUCTION OF THIS DRAWING OR CONSTRUCTION OF ANY PARTS WITHIN THIS DRAWING ARE FORBIDDEN WITHOUT THE WRITTEN CONSENT OF DIALIGHT. |  |               |
| SCALE: DRAWING SCALE<br>ALL DIM'S IN: INCHES (MM)   | DRAWING NUMBER<br>C-17466  | REV<br>A      |
| TOLERANCES:<br>UNLESS OTHERWISE SPECIFIED<br>FRACTIONS: ±1/64<br>DECIMALS (.XX): ±.01<br>DECIMALS (.XXX): ±.005<br>DECIMALS (.XXXX): ±.0005<br>ANGLES: ±1°  | TITLE 5 mm LED RED (WATER CLEAR EPOXY)<br>RoHS COMPLIANT   |               |
| FINISH:   | MATERIAL   |               |
| FSCM 83330  |  1501 ROUTE 34 SOUTH<br>FARMINGDALE, NJ 07727 |               |
| SHEET 1 OF 1  |  | FAMILY TABLE: |

# Mouser Electronics

Authorized Distributor

Click to View Pricing, Inventory, Delivery & Lifecycle Information:

[Dialight:](#)

[521-9464F](#)