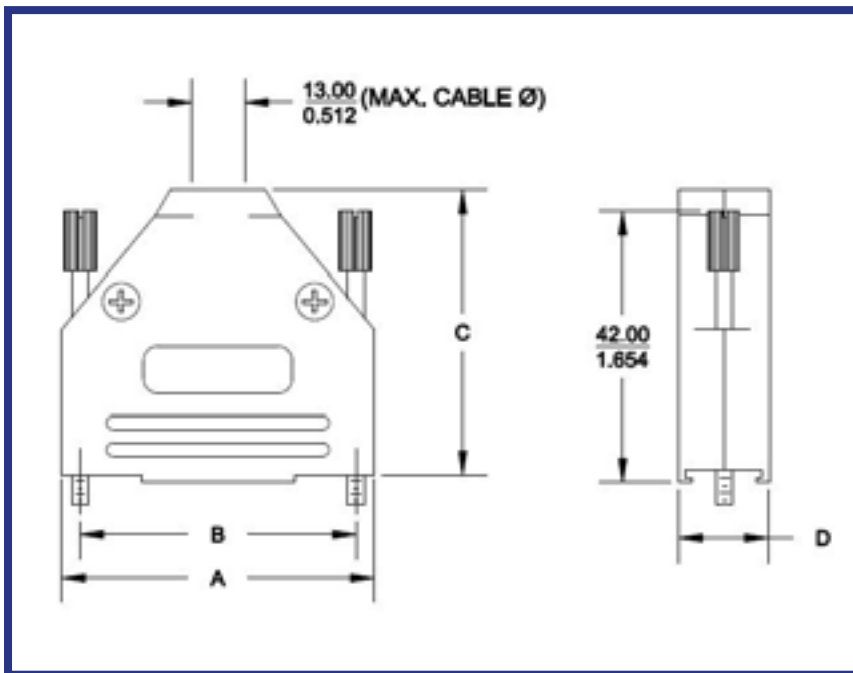


DATA SHEET

MHDTPK SERIES | METALISED PLATIC D-SUB HOOD



Size	A	B	C
9 Way	31.2	39.9	15.0
15 Way	39.5	41.5	15.0
25 Way	53.4	48.6	15.0
37 Way	69.7	53.6	15.0

Technical Specification

Material	UL Recognised ABS
Operating Temperature	-55°C to 110°C
Cable Entry	Top entry
Thumb Screws	UNC 4-40 (Standard), M2.5 or M3 on request
Cable Diameter	Up to 13.0mm

Main Features

Available in size 9, 15, 25, 37
Suitable for any common D-sub connector
Re-openable
Strain relief inserts ensure a secure termination
Also available in unshielded version