

m4o
ELECTRONIC
Dragoljub Janković
micro@pjt.yu
031/512 402 063/83 11 606

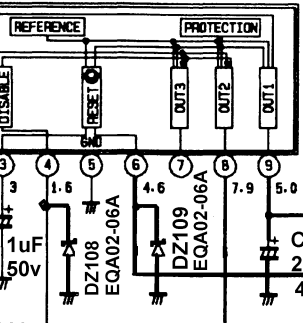
IC801
SMR 4020

HOT

C802
AC400v
102

COLD

HC801
HIS-0169B



D801
600v
D2SB60-4104

AC230v

F801
3,15A

D800
INR10D56i

C814
474
250v

RX801
330K
1/2W

SW

L801
39mH

PTC
2C14R

NT801
NTC

BRITHE
DIODE

11L4R7

C801
220uF
400v

R802
10
2W

R803
600v
222

R804
4M7
1/2W

R805
4M7
1/2W

R806
2W
7K5

R807
2W
10K

R808
4K3
1/2W

R809
47
2W

R810
1,0 / 1W

R811
22
1/2W

R812
0,47
2W

R813
0,47
2W

R814
43
1/2W

R815
331
2kV

R816
10
2W

R817
10
2W

R818
16v
182

R819
10
2W

R820
10
2W

R821
10
2W

R822
10
2W

R823
10
2W

R824
10
2W

R825
10
2W

R826
10
2W

R827
10
2W

R828
10
2W

R829
10
2W

R830
10
2W

R831
10
2W

R832
10
2W

R833
10
2W

R834
10
2W

R835
10
2W

R836
10
2W

R837
10
2W

R838
10
2W

R839
10
2W

R840
10
2W

R841
10
2W

R842
10
2W

R843
10
2W

R844
10
2W

R845
10
2W

R846
10
2W

R847
10
2W

R848
10
2W

R849
10
2W

R850
10
2W

R851
10
2W

R852
10
2W

R853
10
2W

R854
10
2W

R855
10
2W

R856
10
2W

R857
10
2W

R858
10
2W

R859
10
2W

R860
10
2W

R861
10
2W

R862
10
2W

R863
10
2W

R864
10
2W

R865
10
2W

R866
10
2W

R867
10
2W

R868
10
2W

R869
10
2W

R870
10
2W

R871
10
2W

R872
10
2W

R873
10
2W

R874
10
2W

R875
10
2W

R876
10
2W

R877
10
2W

R878
10
2W

R879
10
2W

R880
10
2W

R881
10
2W

R882
10
2W

R883
10
2W

R884
10
2W

R885
10
2W

R886
10
2W

R887
10
2W

R888
10
2W

R889
10
2W

R890
10
2W

R891
10
2W

R892
10
2W

R893
10
2W

R894
10
2W

R895
10
2W

R896
10
2W

R897
10
2W

R898
10
2W

R899
10
2W

R900
10
2W

R901
10
2W

R902
10
2W

R903
10
2W

R904
10
2W

R905
10
2W

R906
10
2W

R907
10
2W

R908
10
2W

R909
10
2W

R910
10
2W

R911
10
2W

R912
10
2W

R913
10
2W

R914
10
2W

R915
10
2W

R916
10
2W

R917
10
2W

R918
10
2W

R919
10
2W

R920
10
2W

R921
10
2W

R922
10
2W

R923
10
2W

R924
10
2W

R925
10
2W

R926
10
2W

R927
10
2W

R928
10
2W

R929
10
2W

R930
10
2W

R931
10
2W

R932
10
2W

R933
10
2W

R934
10
2W

R935
10
2W

R936
10
2W

R937
10
2W

R938
10
2W

R939
10
2W

R940
10
2W

R941
10
2W

R942
10
2W

R943
10
2W

R944
10
2W

R945
10
2W

R946
10
2W

R947
10
2W

R948
10
2W

R949
10
2W

R950
10
2W

R951
10
2W

R952
10
2W

R953
10
2W

R954
10
2W

R955
10
2W

R956
10
2W

R957
10
2W

R958
10
2W

R959
10
2W

R960
10
2W

R961
10
2W

R962
10
2W

R963
10
2W

R964
10
2W

R965
10
2W

R966
10
2W

R967
10
2W

R968
10
2W

R969
10
2W

R970
10
2W

R971
10
2W

R972
10
2W

R973
10
2W

R974
10
2W

R975
10
2W

R976
10
2W

R977
10
2W

R978
10
2W

R979
10
2W

R980
10
2W

R981
10
2W

R982
10
2W

R983
10
2W

R984
10
2W

R985
10
2W

R986
10
2W

R987
10
2W

R988
10
2W

R989
10
2W

R990
10
2W

R991
10
2W

R992
10
2W

R993
10
2W

R994
10
2W

R995
10
2W

R996
10
2W

R997
10
2W

R998
10
2W

R999
10
2W

R1000
10
2W

R1001
10
2W

R1002
10
2W

R1003
10
2W

R1004
10
2W

R1005
10
2W

R1006
10
2W

R1007
10
2W

R1008
10
2W

R1009
10
2W

R1010
10
2W

R1011
10
2W

R1012
10
2W

R1013
10
2W

R1014
10
2W

R1015
10
2W

R1016
10
2W

R1017
10
2W