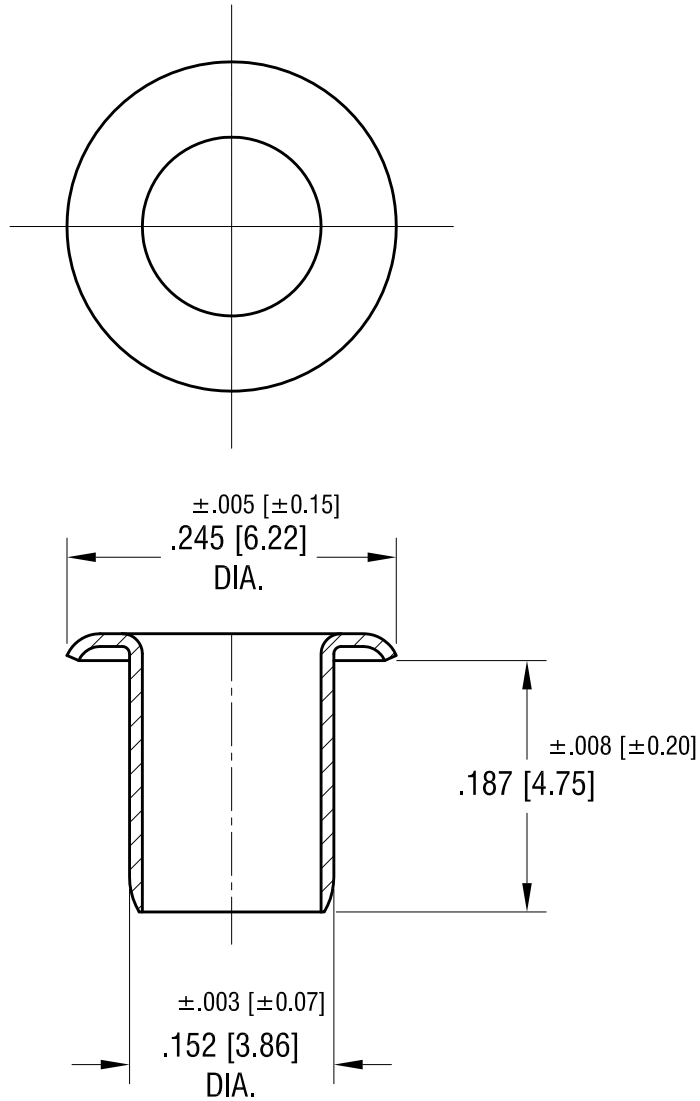


THIS DOCUMENT IS THE PROPERTY OF  
KEYSTONE ELECTRONICS CORP. AND  
SHALL NOT BE REPRODUCED, DISTRIBUTED  
OR USED AS A BASIS FOR MANUFACTURE  
WITHOUT PRIOR WRITTEN PERMISSION  
FROM KEYSTONE ELECTRONICS CORP.

ACTUAL SIZE



**KEYSTONE ELECTRONICS CORP.**

www.keyelco.com • ASTORIA, N.Y. 11105-2017 • Tel (718) 956-8900

|                            |                           |                        |         |
|----------------------------|---------------------------|------------------------|---------|
| PART NAME                  |                           | WIDE ROLL EYELET       |         |
| MATERIAL                   |                           | .010 [0.25] TH'K BRASS |         |
| FINISH                     |                           | DRN BY                 | DATE    |
| TIN PLATE                  |                           | NT                     | 1.17.13 |
|                            |                           | APP'D                  | SCALE   |
|                            |                           | LN                     | 7X      |
| TOLERANCES                 | INCH [MM]                 | CODE                   | DWG NO. |
| DECIMAL                    | $\pm .005$ [ $\pm 0.13$ ] | C                      | 16      |
| ANGULAR                    | $\pm 1^\circ$             |                        |         |
| UNLESS OTHERWISE SPECIFIED |                           |                        |         |

|      |             |      |
|------|-------------|------|
| DATE | DESCRIPTION | REV. |
|      |             |      |