

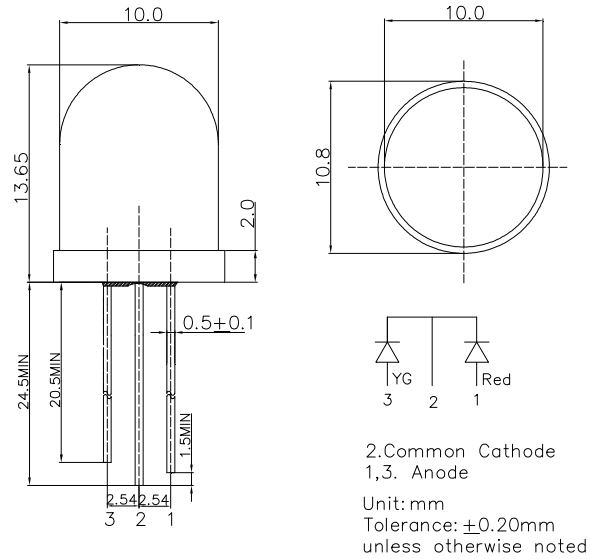
**■Features**

- High Luminous LEDs
- 10mm Round Standard Directivity
- UV Resistant Epoxy
- Water Clear Type

**■Applications**

- Toys
- Games
- Audio
- Other Lighting

**■Outline Dimension**

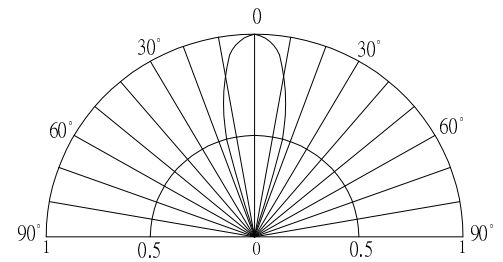


**■Absolute Maximum Rating**

( $T_a=25^\circ\text{C}$ )

Item	Symbol	Value		Unit
		Red	YG	
DC Forward Current	$I_F$	30	30	mA
Pulse Forward Current#	$I_{FP}$	100	100	mA
Reverse Voltage	$V_R$	5	5	V
Power Dissipation	$P_D$	78	78	mW
Operating Temperature	$T_{opr}$	-30 ~ +85		$^\circ\text{C}$
Storage Temperature	$T_{stg}$	-40 ~ +100		$^\circ\text{C}$
Lead Soldering Temperature	$T_{sol}$	260 $^\circ\text{C}$ /5sec		-

**■Directivity**



#Pulse width Max.10ms Duty ratio max 1/10

**■Electrical -Optical Characteristics**

( $T_a=25^\circ\text{C}$ )

Item	Symbol	Condition	Min.	Typ.	Max.	Unit
DC Forward Voltage*1	$V_F$ (Red)	$I_F=20\text{mA}$	1.8	2.1	2.6	V
	$V_F$ (YG)	$I_F=20\text{mA}$	1.8	2.1	2.6	V
DC Reverse Current	$I_R$	$V_R=5\text{V}$	-	-	10	$\mu\text{A}$
Domi. Wavelength*2	$\lambda_D$ (Red)	$I_F=20\text{mA}$	620	625	630	nm
	$\lambda_D$ (YG)	$I_F=20\text{mA}$	565	570	575	nm
Luminous Intensity*3	$I_V$ (Red)	$I_F=20\text{mA}$	1120	1560	-	mcd
	$I_V$ (YG)	$I_F=20\text{mA}$	500	750	-	mcd
50% Power Angle	$2\theta_{1/2}$	$I_F=20\text{mA}$	-	30	-	deg

\*1 Tolerance of measurements of forward voltage is +0.1V

\*2 Tolerance of measurements of dominant wavelength is +1nm

\*3 Tolerance of measurements of luminous intensity is +15%

