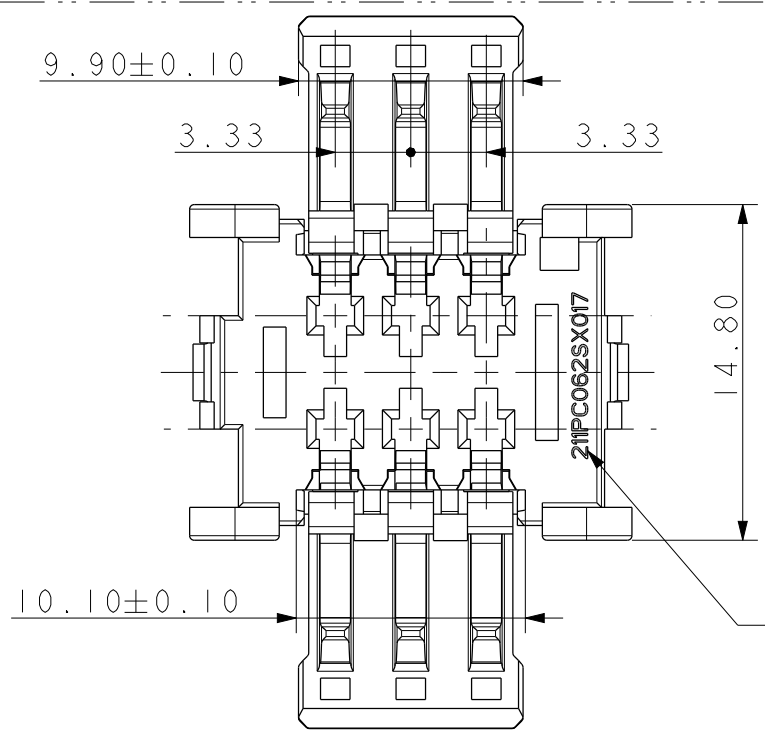
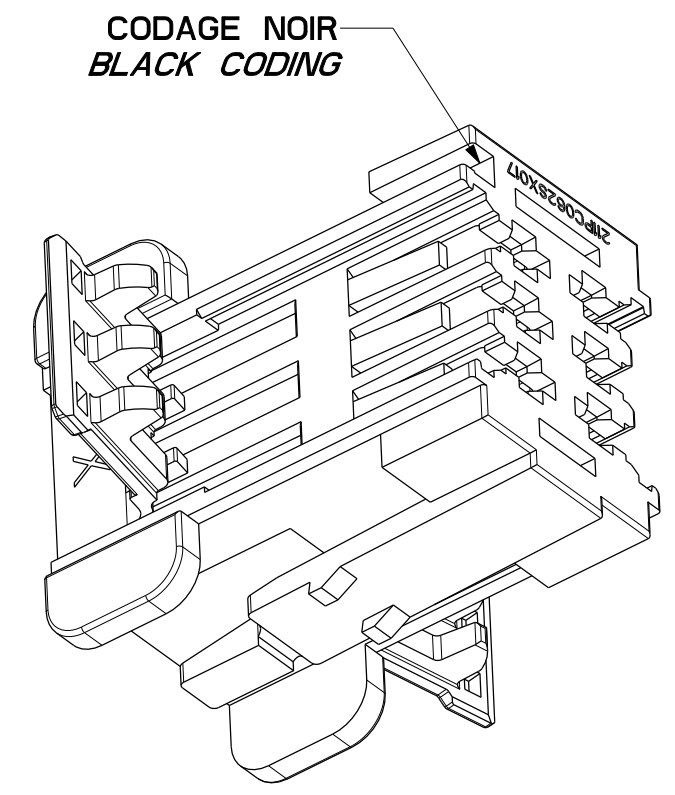


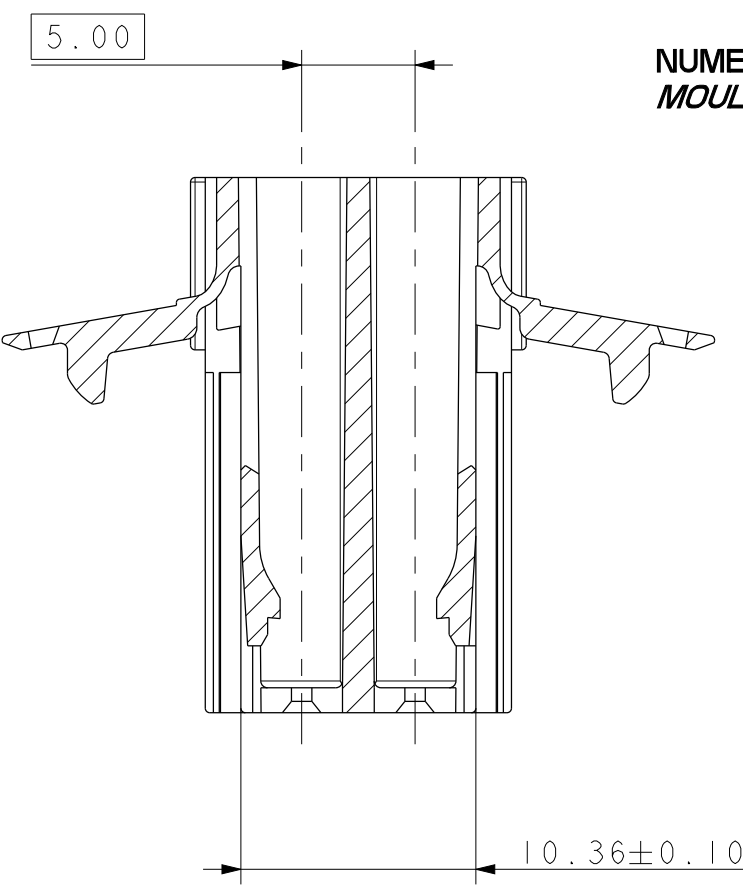
SANS WITHOUT	VIOLET PURPLE		2.70±0.10	1.55 <sup>+0.25</sup> <sub>-0.20</sub>	211PC 06 2 S 7017	B	10820503	01
5	MARRON BROWN	1.30±0.10		1.55 <sup>+0.25</sup> <sub>-0.20</sub>	211 PC 06 2 S 1017	B	10820502	01
4	BLEU BLUE	1.00±0.10	2.70±0.10	1.55 <sup>+0.25</sup> <sub>-0.20</sub>	211 PC 06 2 S 6017	B	10820501	01
3	GRIS GREY	1.30±0.10		1.55 <sup>+0.25</sup> <sub>-0.20</sub>	211 PC 06 2 S 8017	B	10820500	01
2	NOIR BLACK	1.00±0.10	2.70±0.10	1.55 <sup>+0.25</sup> <sub>-0.20</sub>	211 PC 06 2 S 0017	B	10788770	02
1	BLANC WHITE	1.30±0.10		1.55 <sup>+0.25</sup> <sub>-0.20</sub>	211 PC 06 2 S 9017	B	10820499	01
<b>CODAGE CODING</b>	<b>COULEUR COLOR</b>	<b>A</b>	<b>B</b>	<b>C</b>	<b>Ref</b>	<b>Rev</b>	<b>Ref</b>	<b>Rev</b>
					<b>MVL</b>		<b>DELPHI</b>	

NOTA : LE NUMERO DU CODAGE CORRESPOND A UN EVIDEMENT DE PROFONDEUR 5.80  
 NOTE : THE CODING NUMBER CORRESPOND TO AN HOLLOWING OUT WITH A DEPTH OF 5.80

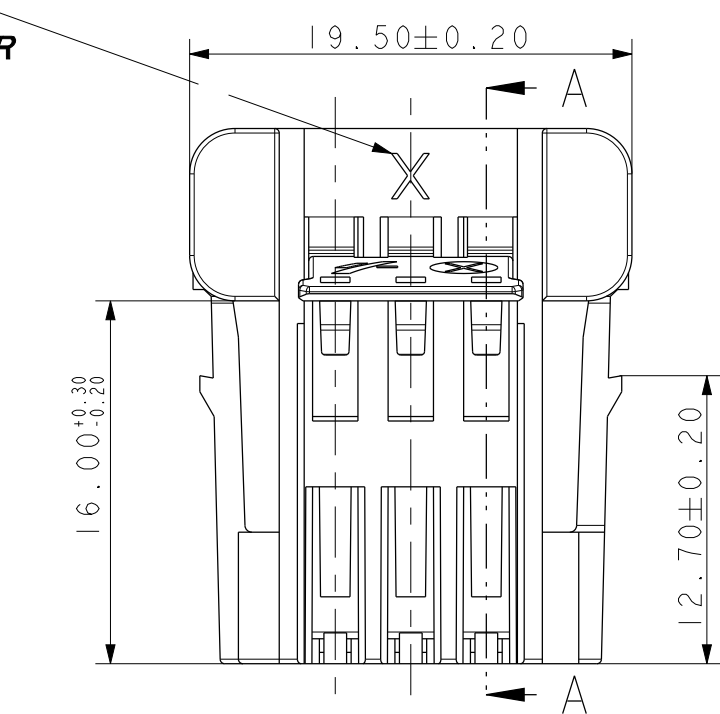


REFERENCE MVL  
MVL'S REFERENCE

COUPE A-A  
SECTION A-A



NUMERO EMPREINTE  
MOULD CAVITY NUMBER



REPERE ALVEOLE  
CAVITY POSITIONING

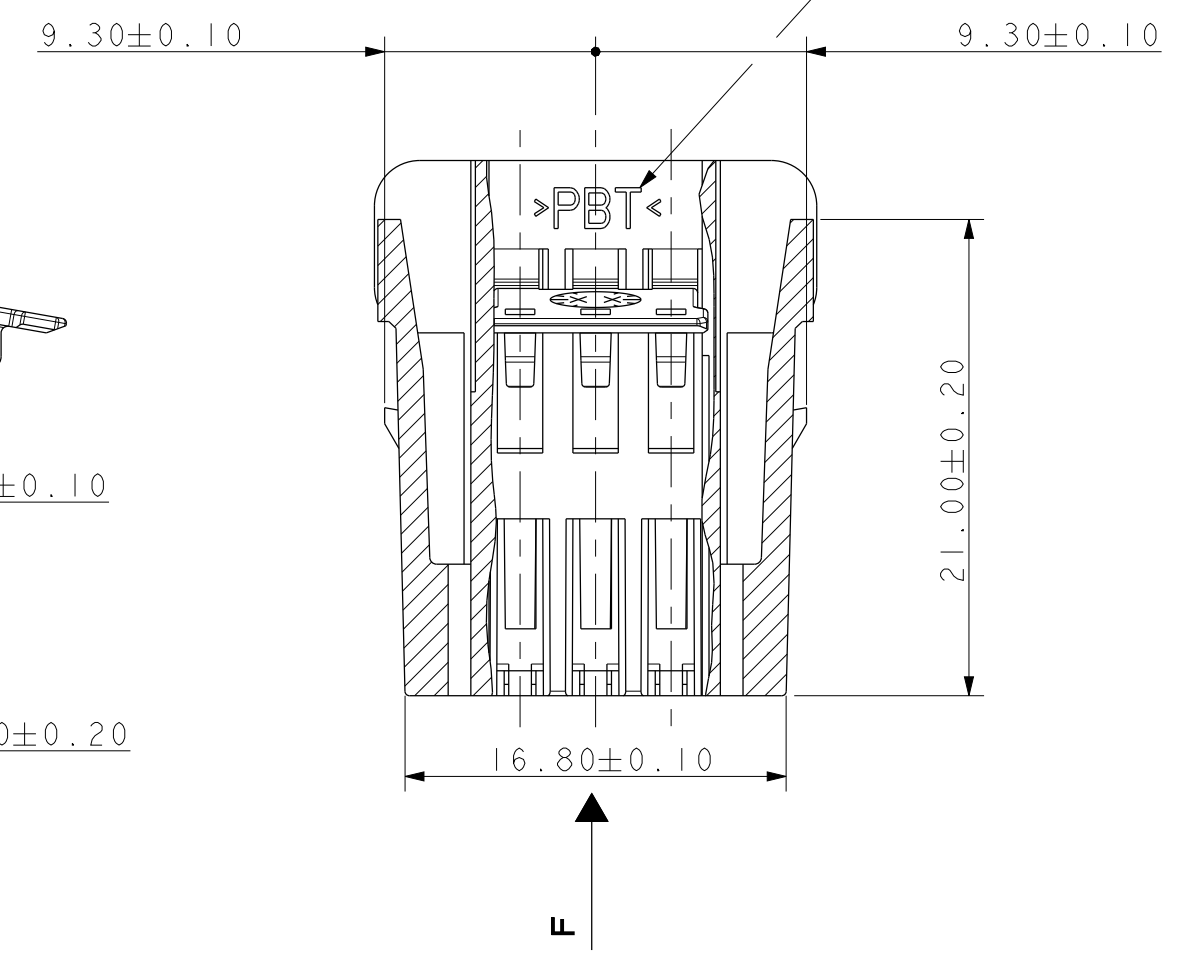
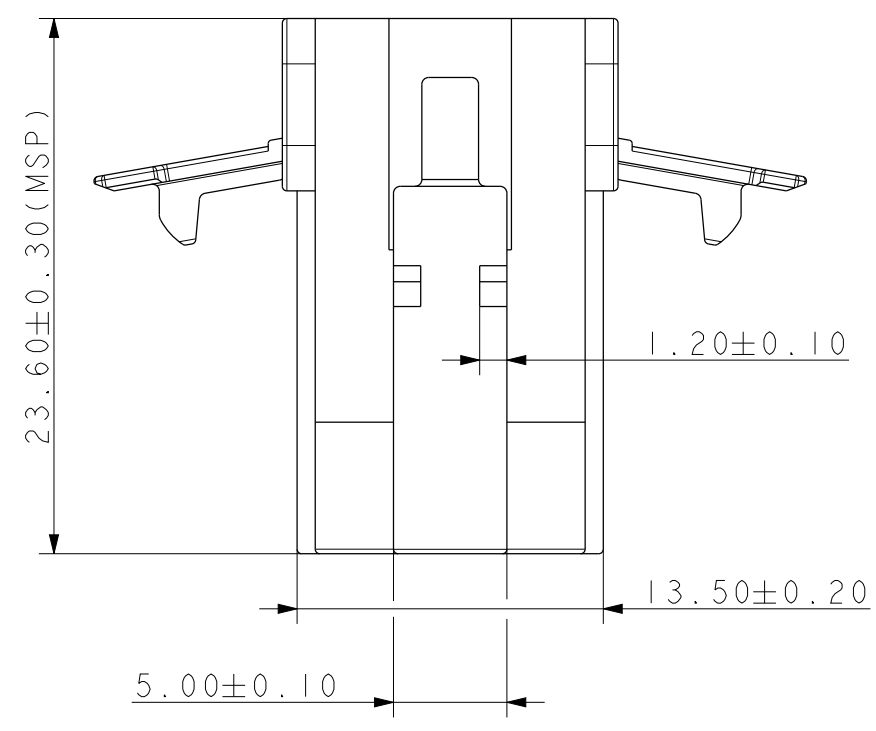
SIGLE MVL  
LOGO MVL

DATEUR Ø 4 mm  
DATE STAMP Ø 4

INDICE PIECE  
PART ITEM

COUPE PARTIELLE D-D  
SECTION D-D

MATIERE  
MATERIAL



ECN-NO. NUMERO ECH	POSITION POSITION	CHANGE DESCRIPTION MODIFICATION	
PRODUCT SPEC. SPECIF. PRODUIT	PACKAGING SPEC. SPECIF. EMBALLAGE	APPLICATION SPEC. SPECIF. APPLICATION	COPYRIGHT DELPHI CORPORATION AND/OR ITS AFFILIATES. ALL RIGHTS RESERVED. REVISED THIS DRAWING IS THE PROPERTY OF DELPHI CORPORATION AND CONTAINS DELPHI CONFIDENTIAL INFORMATION. THE REPRODUCTION, DISTRIBUTION AND UTILIZATION OF THIS DOCUMENT OR ITS RELATED CAD DATA, AS WELL AS COMMUNICATION OF ANY CONTENT TO OTHERS, WITHOUT EXPRESS AUTHORIZATION, IS PROHIBITED.
TOLERANCES TOLERANCES	±0.2 ±2*	MATERIAL : MATIERE :	SEE TABLE
COUNTERPART N° CONTRE-PARTIE N°		COLOUR : COULEUR :	SEE TABLE
DO NOT MEASURE DRAWING NE PAS PRENDRE DE COTES		TOOL NO. OUTIL N°	
CREATED BY CREE PAR	19990329	ROBLIN	
MODIFIED BY MODIF. PAR	20130514	F FAURIE	
CHECKED BY VERIF. PAR	20130514	S LACOTE	
APPROVED BY APPR. PAR	20130514	Pascal MENARD	
FILE NAME NOM DE FICHIER	211FT0331	ESR NO. NUMERO ESR	FRA-0844
		CAT. NO. NUMERO CAT.	
		DOCUMENT UNDER PDS CONTROL / DOCUMENT GERE SOUS P.D.S. NO MODIFICATION ALLOWED OUTSIDE / PAS DE MODIFICATION EN DEHORS	
DELPHI P/N ADDED		DELPHI	
DELPHI PACKARD ELECTRICAL/ELECTRONIC ARCHITECTURE EPERON, FRANCE		CAD SYSTEM	
DIMENSION IN MILLIMETERS DIMENSIONS EN MILLIMETRES		DWG SIZE FORMAT	
ISO PROJECTION PROJECTION ISO		A2	
DRAWING NUMBER REF. PLAN		REV. IND.	
211FT0331		C	
STATE ETAT		APPROVAL LEVEL NIV. D'APPROBATION	
PART NUMBER REF. ARTICLE		REV. IND.	
6 WAY WITH FLAP SERIAL RELEASED		SHEET FEUILLE	
See Table		of 1 sur 1	
		SCALE ECH.	
		3:1	

# Mouser Electronics

Authorized Distributor

Click to View Pricing, Inventory, Delivery & Lifecycle Information:

[Aptiv:](#)

[211PC062S1017](#)