

FFC,PIN CONTACT,ROUND WIRE,22- ✓ ACTIVE

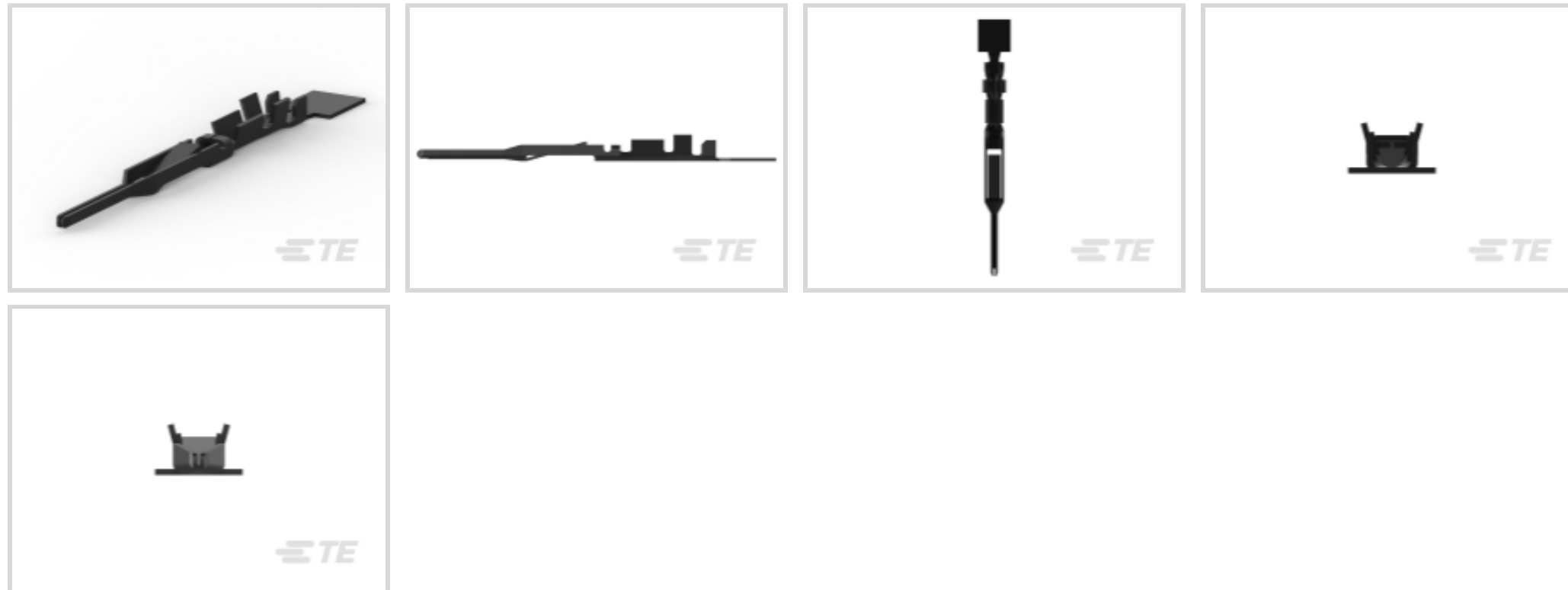
TE Part # 1-86557-9

TE Internal #: 1-86557-9

[View on TE.com >](#)



Connectors > PCB Connectors > Wire-to-Board Connectors > FFC, FPC & Ribbon Connectors > FFC Contacts



Connector System: **Cable-to-Cable**
 Centerline (Pitch): **2.54 mm [.1 in]**
 Wire/Cable Type: **Round Wire, Discrete**
 Contact Type: **Pin**
 Contact Mating Area Plating Material: **Tin**

Features

Product Type Features

Connector System	Cable-to-Cable
Wire/Cable Type	Round Wire, Discrete
Sealable	No
Connector & Contact Terminates To	Wire & Cable
Product Type	Contact

Contact Features

PCB Contact Termination Area Plating Material	Tin
Contact Base Material	Phosphor Bronze
Contact Type	Pin
Contact Mating Area Plating Material	Tin
Contact Current Rating (Max)	2 A
	100 μin

Termination Features

Termination Method to Wire & Cable	Insulation Displacement Crimp (IDC)
------------------------------------	-------------------------------------

Mechanical Attachment

Connector Mounting Type	Cable Mount (Free-Hanging)
-------------------------	----------------------------

Housing Features

Centerline (Pitch)	2.54 mm[.1 in]
--------------------	----------------

Dimensions

Conductor Width	1.27 mm, 2.33 mm
Wire Size	.12 – .4 mm ²
Accepts Wire Insulation Diameter Range	1.02 – 1.42 mm[.04 – .056 in]

Usage Conditions

Operating Temperature Range	-65 – 105 °C[-85 – 221 °F]
-----------------------------	----------------------------

Operation/Application

Circuit Application	Signal
---------------------	--------

Packaging Features

Packaging Method	Reel
------------------	------

Other

Comment	Crimp Control Monitor 567561-1 for AMPOMATOR CLS II Machine., Crimp Control Monitor 567561-2 for AMP-O-ELECTRIC., Use Extraction Tool No. 91092-1 for end locking slot and Extraction Tool No. 91093-1 for side locking lance slot.
---------	---

Product Compliance

For compliance documentation, visit the product page on [TE.com](https://www.te.com)>

EU RoHS Directive 2011/65/EU	Compliant
EU ELV Directive 2000/53/EC	Compliant
China RoHS 2 Directive MIIT Order No 32, 2016	No Restricted Materials Above Threshold
EU REACH Regulation (EC) No. 1907/2006	Current ECHA Candidate List: JAN 2019 (197) Not Yet Reviewed
Halogen Content	Low Bromine/Chlorine - Br and Cl < 900 ppm per homogenous material. Also BFR /CFR/PVC Free
Solder Process Capability	Reflow solder capable to 260°C

Product Compliance Disclaimer

This information is provided based on reasonable inquiry of our suppliers and represents our current actual knowledge based on the information they provided. This information is subject to change. The part numbers that TE has identified as EU RoHS compliant have a maximum concentration of 0.1% by weight in homogenous materials for lead, hexavalent

chromium, mercury, PBB, PBDE, DBP, BBP, DEHP, DIBP, and 0.01% for cadmium, or qualify for an exemption to these limits as defined in the Annexes of Directive 2011/65/EU (RoHS2). Finished electrical and electronic equipment products will be CE marked as required by Directive 2011/65/EU. Components may not be CE marked. Additionally, the part numbers that TE has identified as EU ELV compliant have a maximum concentration of 0.1% by weight in homogenous materials for lead, hexavalent chromium, and mercury, and 0.01% for cadmium, or qualify for an exemption to these limits as defined in the Annexes of Directive 2000/53/EC (ELV). Regarding the REACH Regulations, TE's information on SVHC in articles for this part number is still based on the European Chemical Agency (ECHA) 'Guidance on requirements for substances in articles' (Version: 2, April 2011), applying the 0.1% weight on weight concentration threshold at the finished product level. TE is aware of the European Court of Justice ruling of September 10th, 2015 also known as O5A (Once An Article Always An Article) stating that, in case of 'complex object', the threshold for a SVHC must be applied to both the product as a whole and simultaneously to each of the articles forming part of its composition. TE has evaluated this ruling based on the new ECHA "Guidance on requirements for substances in articles" (June 2017, version 4.0) and will be updating its statements accordingly.

Compatible Parts



Applicators(4)



FFC Connectors(31)



FFC Contacts(1)



Portable Crimp Tools(3)

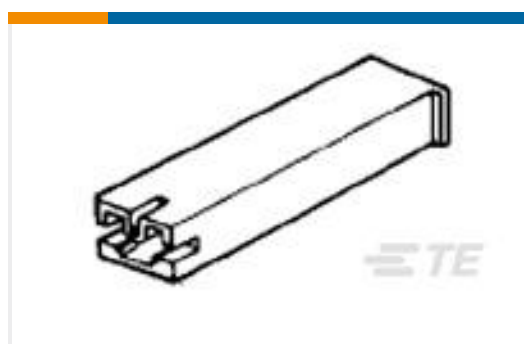


Spare & Wear Tooling(1)

Customers Also Bought



TE Part #9-1241961-2
STD TIM HOUSING MKII
2POS



TE Part #172074-7
POSITIVE LOCK 187
HOUSING RECEPTACLE



TE Part #60938-1
FASTON .250
RECEPTACLE 18-14 AWG
BR



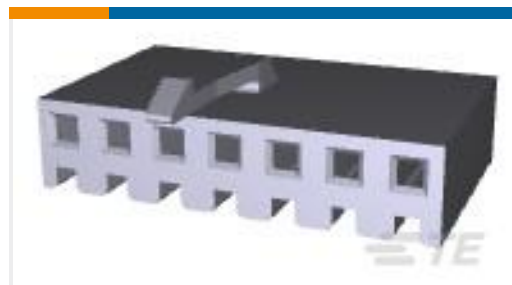
TE Part #794716-1
12P UMNL CAP HSG
NATL,PAN MNT



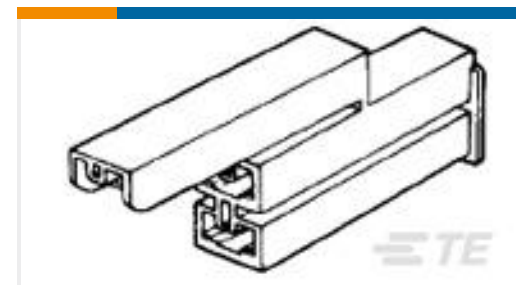
TE Part #480763-1
05P UMNL PLUG HSG BRN



TE Part #63316-3
FASTON 187 FLAG REC
18-14 AWG NPCRST



TE Part #770894-7
07P SL156 HSG W/THRU
BD LATCH



TE Part #172075-6
POSITIVE LOCK 187
HOUSING RECEPTACLE



TE Part #52475-3
TERMINAL,PG SPR SPD 12-
10 10



TE Part #794223-3
MINI UMNL2 SCKT 20-
16AWG 30AU

Documents

Product Drawings

[FFC,PIN CONTACT,ROUND WIRE,22-](#)

English

[FFC,PIN CONTACT,ROUND WIRE,22-](#)

English

CAD Files

Customer View Model

[ENG_CVM_CVM_1-86557-9_AW.3d_stp.zip](#)

English

Customer View Model

[ENG_CVM_CVM_1-86557-9_AW.2d_dxf.zip](#)

English

3D PDF

3D

Customer View Model

[ENG_CVM_CVM_1-86557-9_AW.3d_igs.zip](#)

English

Product Specifications

[Application Specification](#)

English

[Application Specification](#)

English

Product Environmental Compliance

[TE Material Declaration](#)



English

Instruction Sheets

Instruction Sheet (U.S.)

English

Instruction Sheet (U.S.)

English

Extraction Tool for Flexible Flat Cable (FFC)

English