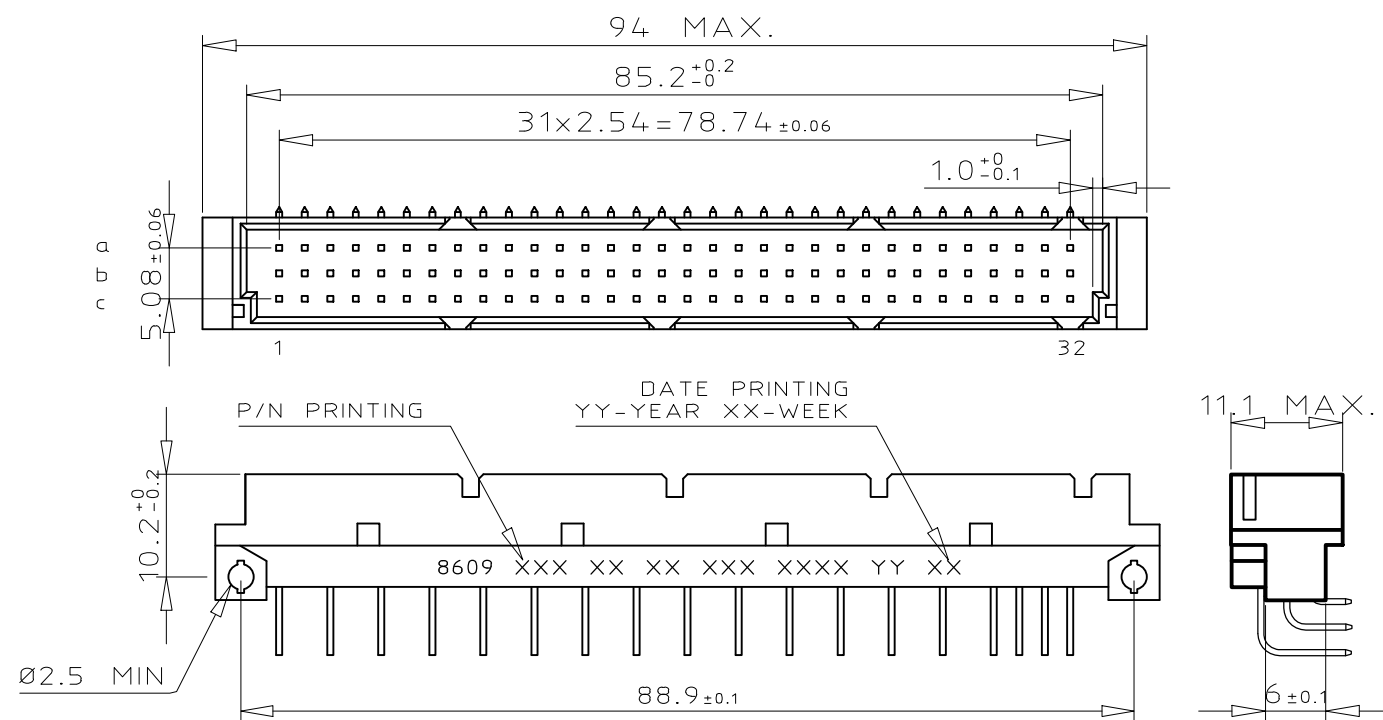
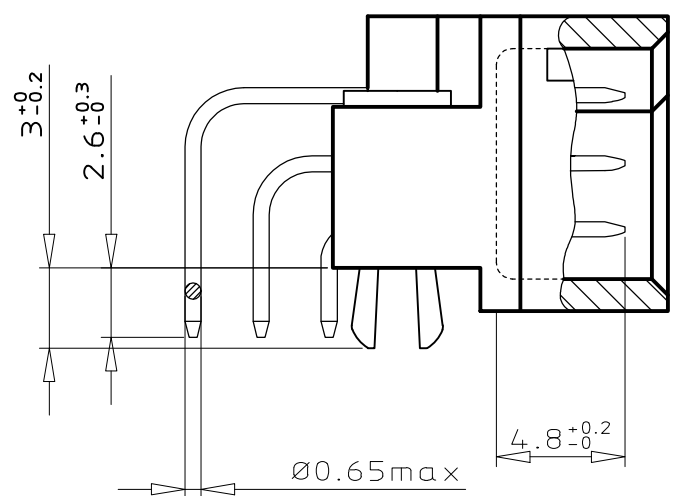


DIMENSIONS



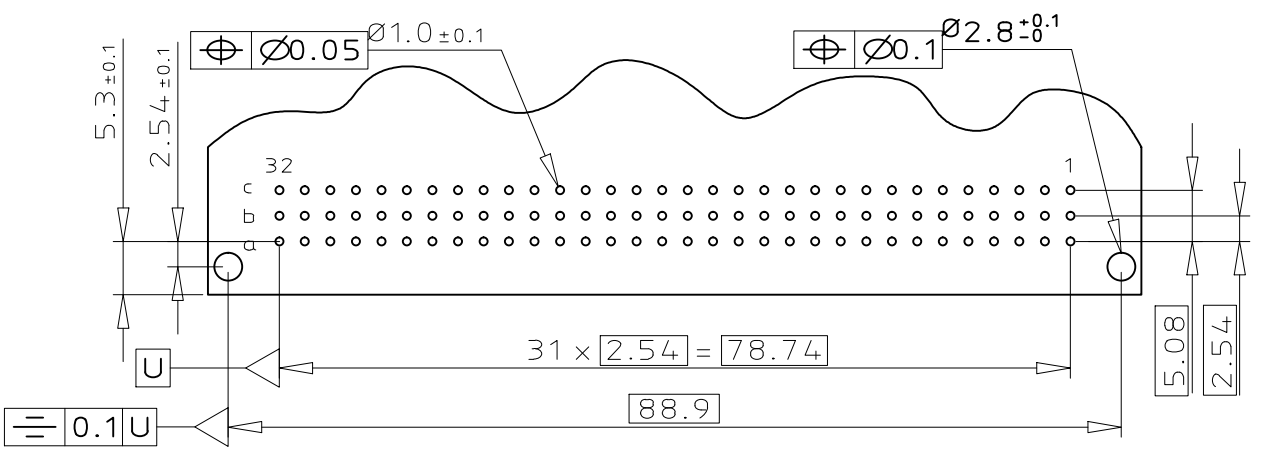
TERMINATION



ORDERING INFORMATION

| | | | | | | | | | | |
|--|-------|---|----|---|---|----|---|---|---|-------|
| SERIES | 8609 | 3 | 51 | 7 | 1 | 13 | 7 | 5 | 0 | TSELF |
| ROWS FITTED WITH CONTACTS | | | | | | | | | | |
| ROW a | b | c | | | | | | | | |
| NO. OF CONTACTS | | | | | | | | | | |
| TYPE OF INSULATOR | | | | | | | | | | |
| 3 ROW MALE INSULATOR | 7 | | | | | | | | | |
| METHOD OF MOUNTING | | | | | | | | | | |
| STANDARD MOUNTING - STYLE C | 1 | | | | | | | | | |
| TERMINATION | | | | | | | | | | |
| ANGLED SPILL | 13 | | | | | | | | | |
| OPTIONS | | | | | | | | | | |
| NO OPTION | 7 | | | | | | | | | |
| WITH HARPOONS | H | | | | | | | | | |
| PERFORMANCE CLASS | | | | | | | | | | |
| DIN 41612 CLASS 3 | 4 | | | | | | | | | |
| DIN 41612 CLASS 2 | 5 | | | | | | | | | |
| DIN 41612 CLASS 1 | 6 | | | | | | | | | |
| AS PER MIL C 55302 / JSS 50808 | 8 | | | | | | | | | |
| PITCH PER ROW | | | | | | | | | | |
| MIXED PITCH | 0 | | | | | | | | | |
| LEAD FREE VERSION SPL CONTACTS LOADING | TSELF | | | | | | | | | |

PCB LAYOUT



CONTACT ARRANGEMENT

| | | | | | | | | | | | | | | | | | | | | | | | | | | | | | | | | | |
|---|---|---|---|---|---|---|---|---|---|----|----|----|----|----|----|----|----|----|----|----|----|----|----|----|----|----|----|----|----|----|----|----|---|
| | 1 | 2 | 3 | 4 | 5 | 6 | 7 | 8 | 9 | 10 | 11 | 12 | 13 | 14 | 15 | 16 | 17 | 18 | 19 | 20 | 21 | 22 | 23 | 24 | 25 | 26 | 27 | 28 | 29 | 30 | 31 | 32 | |
| a | X | X | X | X | X | X | X | X | X | X | X | X | X | X | X | X | X | X | X | X | X | X | X | X | X | X | X | X | X | X | X | X | X |
| b | X | X | X | X | X | X | X | X | X | X | X | X | X | X | X | X | X | X | X | X | X | X | X | X | X | X | X | X | X | X | X | X | X |
| c | X | X | X | X | X | X | X | X | X | X | X | X | X | X | X | X | X | X | X | X | X | X | X | X | X | X | X | X | X | X | X | X | X |

STANDARD CONTACT
 EMPTY CAVITY
 FMLB CONTACT
 LMEB CONTACT

GENERAL CHARACTERISTICS & RoHS INFO
 REFER DRAWING C-8609-0000A

| | | | | |
|---------------------------------------|----------------|------------------|------------|--------------------------------|
| mat'l. code | surface | tolerance | projection | product family |
| SEE DRAWING C-8609-0000A | ISO 1302 ✓ | ISO 406 ISO 1101 | | 8609 |
| ltr | ecn no | dr | date | title |
| A | 109-0064 | KR | 2009-04-21 | DIN STANDARD HEADER |
| B | 111-0031 | MJA | 2011-02-11 | ANGLED SPILL DIN 41612 STYLE C |
| tolerances unless otherwise specified | | | | scale 3:2 |
| angles | | | | mm |
| linear | | | | FCJ |
| 0°±2° | | | | 0.X ±0.3 |
| | | | | 0.XX ±0.13 |
| | | | | 0.XXX ±0.05 |
| dr | | | | dwg no |
| KESAVAN R | | | | sheet 1 of 1 |
| 2009-04-21 | | | | size |
| enr | | | | A3 |
| KESAVAN R | | | | C-8609-2189 |
| 2009-04-21 | | | | type Product Customer Drawing |
| chr | | | | |
| S ALOSIOUS | | | | |
| 2011-02-11 | | | | |
| appd | | | | |
| BIJU K PAUL | | | | |
| 2011-02-11 | | | | |
| sheet index | revision sheet | B | 1 | |

Mouser Electronics

Authorized Distributor

Click to View Pricing, Inventory, Delivery & Lifecycle Information:

[FCI / Amphenol:](#)

[86093517113750TELF](#)