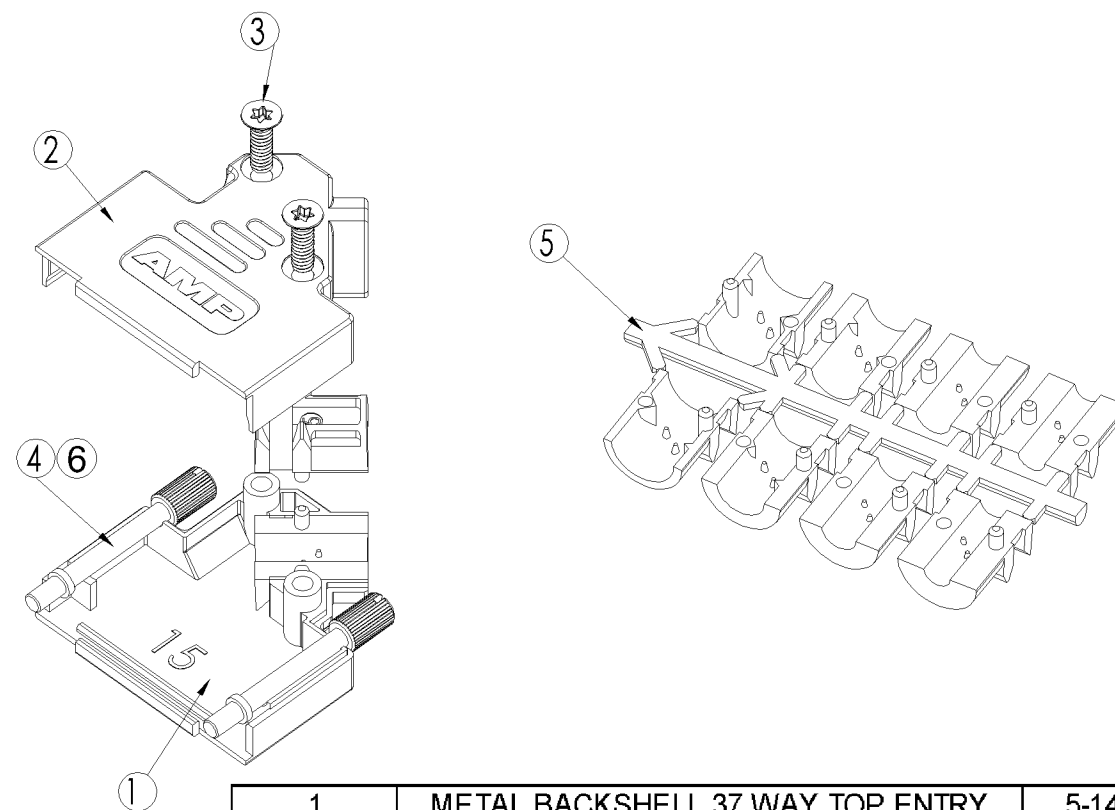
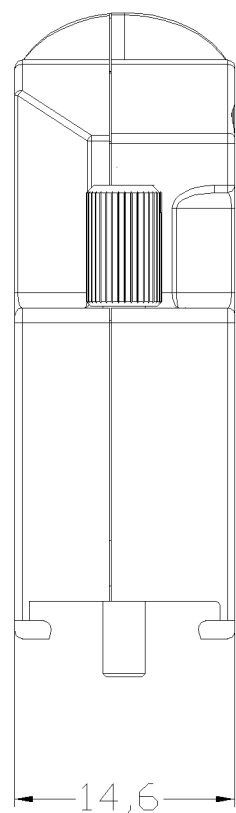
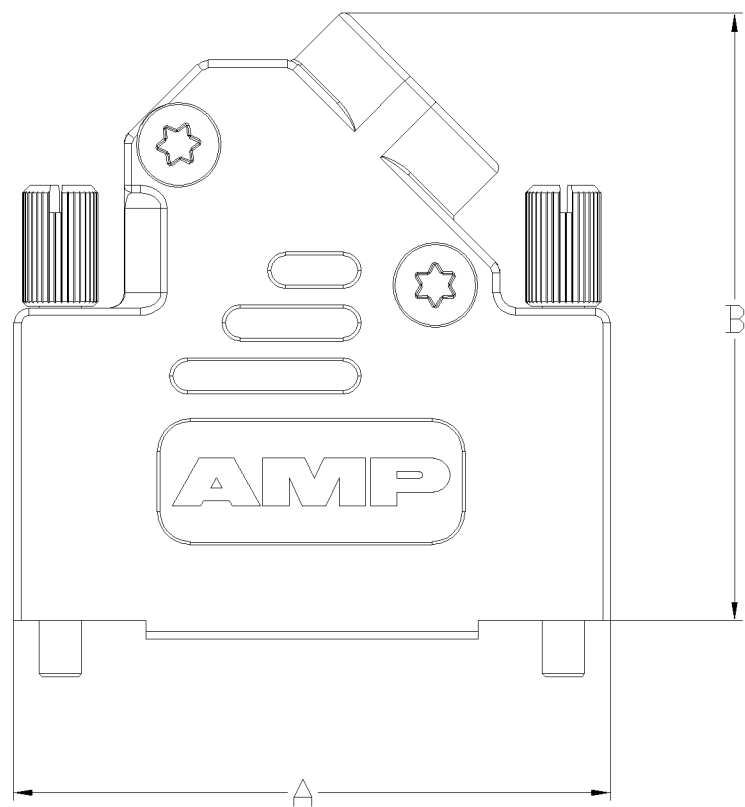


THIS DRAWING IS UNPUBLISHED. RELEASED FOR PUBLICATION 27-02-02, - .
 © COPYRIGHT 2002 BY TYCO ELECTRONICS CORPORATION. ALL RIGHTS RESERVED.

LOC	DIST	REVISIONS			
P	LTR	DESCRIPTION	DATE	DWN	APVD
E	B	D	EBD0-0215-04	22-06-04	AM FWK
		E	EBD0-0435-04	19-11-04	AM FWK
		F	ECR-05-012541	06/10/05	AM FWK



1	METAL BACKSHELL 37 WAY TOP ENTRY	5-1478763-4
1	METAL BACKSHELL 25 WAY TOP ENTRY	5-1478763-3
1	METAL BACKSHELL 15 WAY TOP ENTRY	5-1478763-2
1	METAL BACKSHELL 9 WAY TOP ENTRY	5-1478763-1
KITS/BAG		
100	METAL BACKSHELL 37 WAY TOP ENTRY	4-1478763-8
100	METAL BACKSHELL 25 WAY TOP ENTRY	4-1478763-7
100	METAL BACKSHELL 15 WAY TOP ENTRY	4-1478763-6
100	METAL BACKSHELL 9 WAY TOP ENTRY	4-1478763-5
100	METAL BACKSHELL 37 WAY TOP ENTRY	3-1478763-7
100	METAL BACKSHELL 25 WAY TOP ENTRY	2-1478763-5
100	METAL BACKSHELL 15 WAY TOP ENTRY	1-1478763-5
100	METAL BACKSHELL 9 WAY TOP ENTRY	0-1478763-9
COMPONENTS /BAG	DESCRIPTION	PART NUMBER

QTY	BACKSHELL BOTTOM	BACKSHELL TOP	FIXING SCREW TYPE - TORQUE DRIVE	JACKSCREW M3	STRAIN RELIEF SET	JACKSCREW 4-40			
4-1478763-8	69.7	40.2	1	1	2	2	1	-	
4-1478763-7	53.2	40.2	1	1	2	2	1	-	
4-1478763-6	39.5	40.2	1	1	2	2	1	-	
4-1478763-5	31	36.2	1	1	2	1	1	-	
5-1478763-4 and 3-1478763-7	69.7	40.2	1	1	2	-	1	2	
5-1478763-3 and 2-1478763-5	53.2	40.2	1	1	2	-	1	2	
5-1478763-2 and 1-1478763-5	39.5	40.2	1	1	2	-	1	2	
5-1478763-1 and 0-1478763-9	31	36.2	1	1	2	-	1	1	
PART NUMBER	A'	B'	ITEM	1'	2'	3'	4'	5'	6'

1. FOR ASSEMBLY DETAILS REFER TO LEAFLET 0-1478530-1.
1-PER BOX OF 100 PARTS

THIS DRAWING IS A CONTROLLED DOCUMENT.

DIMENSIONS:	TOLERANCES UNLESS OTHERWISE SPECIFIED:
MM	0 PLC ± -
	1 PLC ± -
	2 PLC ± -
	3 PLC ± -
	4 PLC ± -
	ANGLES ± -
	FINISH

DWN	A.BEKEN	27-02-02		Tyco Electronics Corporation				
CHK	R.G	27-02-02		Stanmore, Middlesex, HA7 4RS				
APVD	F W-KING	27-02-02		NAME				
PRODUCT SPEC				ADK SERIES DIE-CAST BACKSHELL 45 DEGREE ENTRY				
APPLICATION SPEC			SIZE	CAGE CODE	DRAWING NO	RESTRICTED TO		
WEIGHT	-		A3	00779	©-1478763	-		
CUSTOMER DRAWING			SCALE	1:1	SHEET	1 OF 1	REV	F