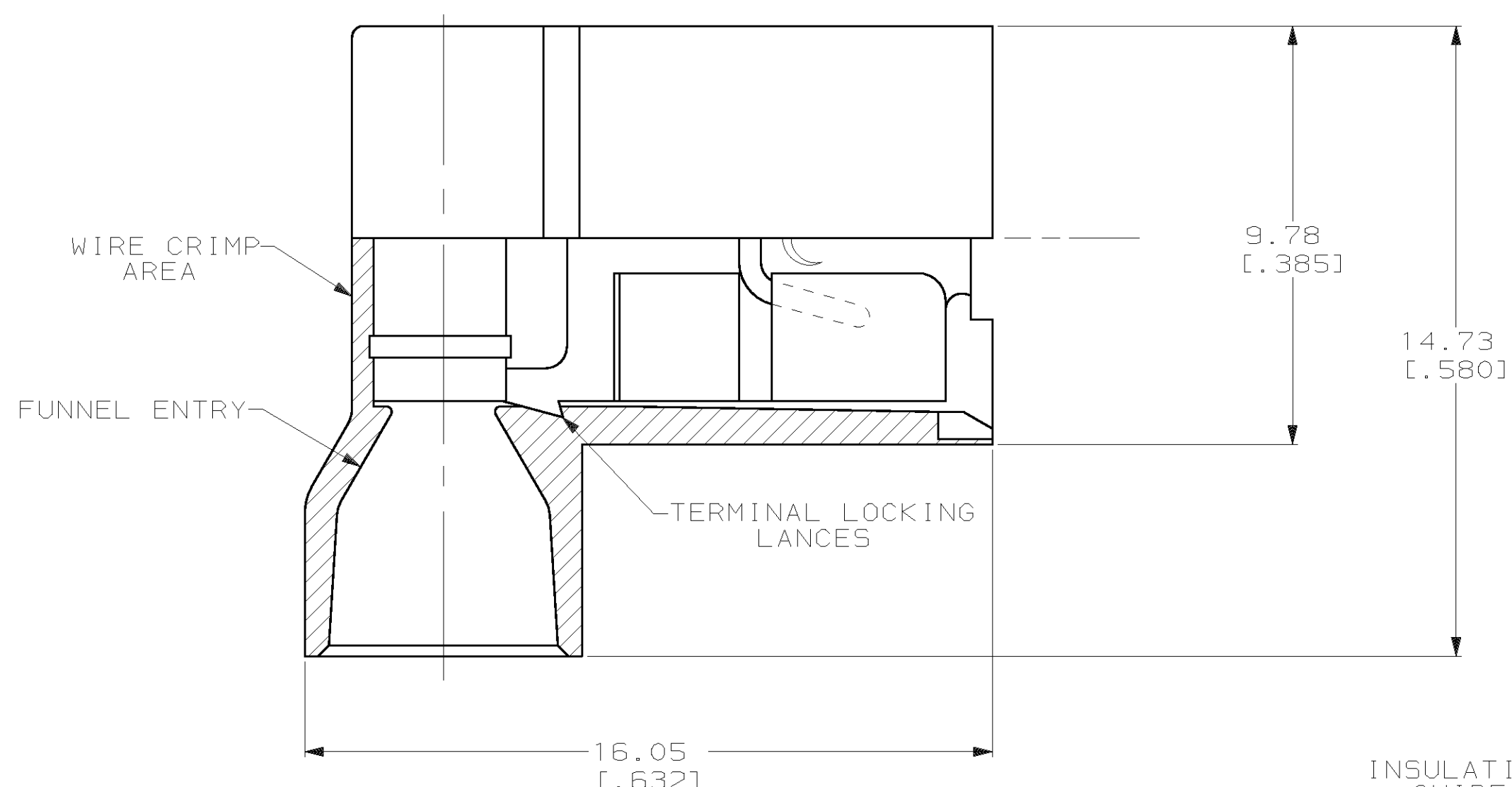
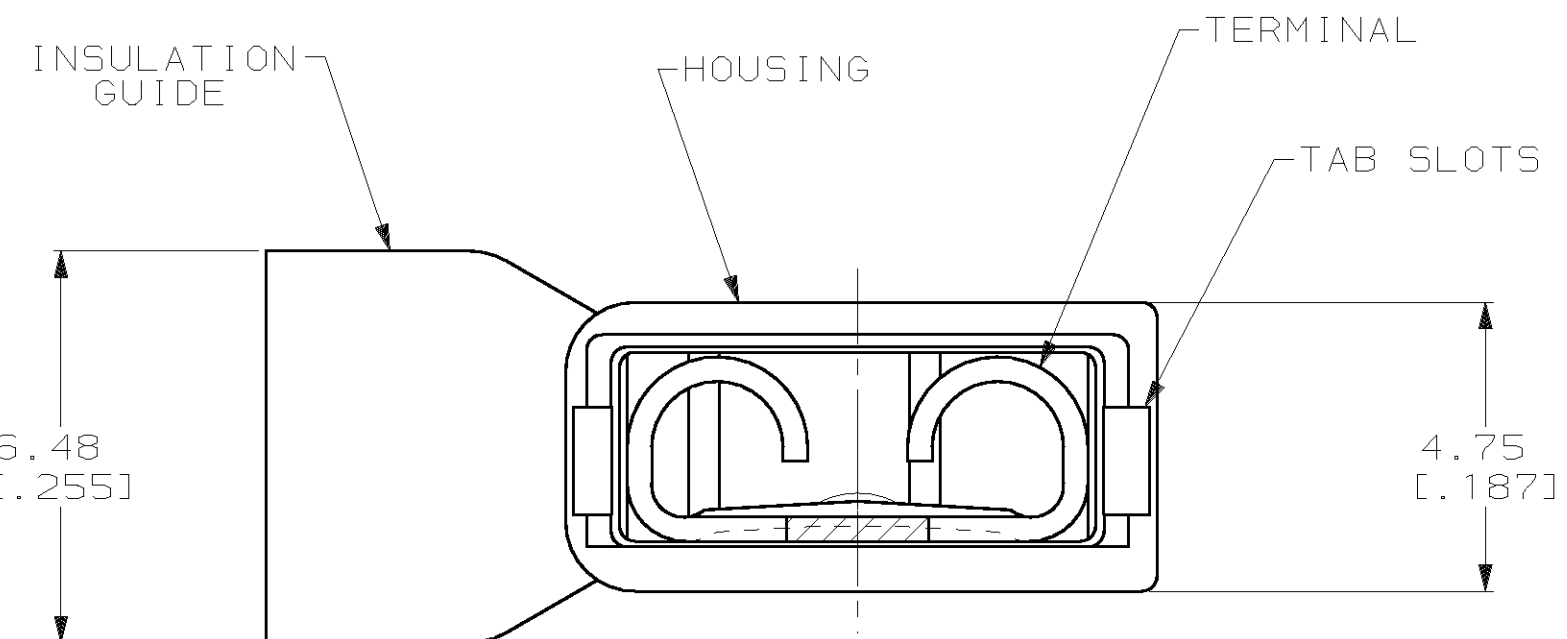
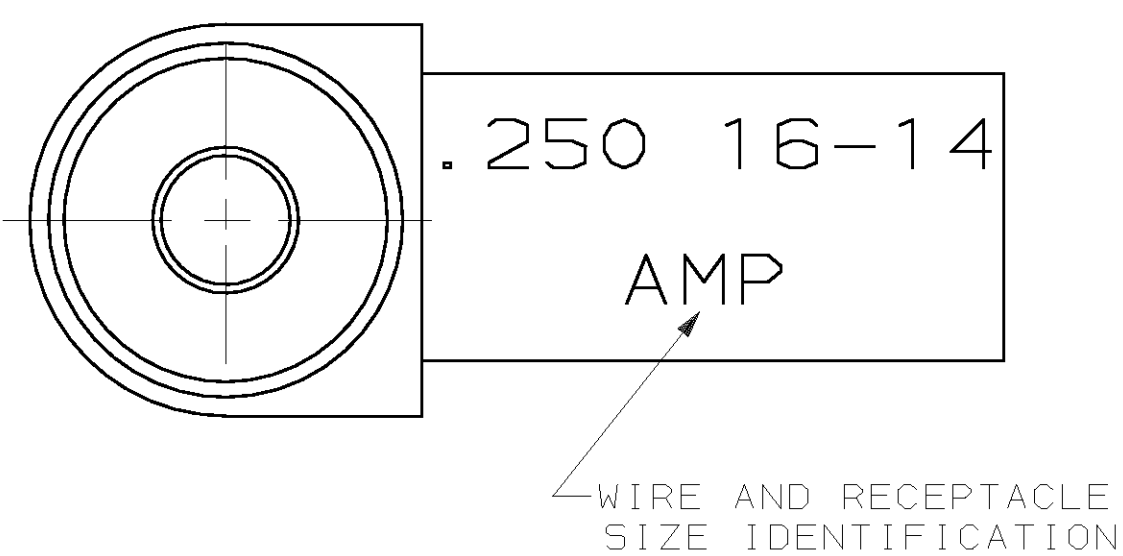


THIS DRAWING IS UNPUBLISHED. RELEASED FOR PUBLICATION
 © COPYRIGHT 19 BY AMP INCORPORATED. ALL INTERNATIONAL RIGHTS RESERVED.

LOC		DIST		ZONE		LTR		REVISIONS		DATE	APPD
AF	50	P	F			P		REV PER 0G1A-0149-99		3JUN99	JR/JH



- 1 FITS 0.81±0.025 X 6.35 [.032±.001 X .250] TAB
- 2 WIRE SIZE: 1.3-2.0mm² [16-14 AWG], STRANDED ONLY. STRIP LENGTH 7.94 [.312]
- 3 INSULATION SIZE: 4.70 [.185] MAX DIA.
- 4 SUPPLIED AS LOOSE PIECE



HOUSING		TERMINAL		PART NO
MATERIAL	COLOR	MATERIAL	FINISH	
TYPE 6/6 NYLON	BLUE TRANSLUCENT	0.41 [.016] #4H BRASS	TIN	3-520133-2
DO NOT SCALE PRINT. UNLESS SPECIFIED DIMENSIONS IN mm [INCHES] TOLERANCES ON :		AMP INCORPORATED Harrisburg, Pa. 17105		RECEPTACLE ASSEMBLY, ULTRA-FAST FLAG, 6.35 [.250] SERIES, LOOSE PIECE
2 PLC DEC ± -		NAME		
3 PLC DEC ± 0.38 [.015]		AMPD 11/13/89 DJ BRATINA		SIZE CAGE CODE DRAWING NO
ANGLES ± -		AMPD 11/13/89 R KUZO		
MATERIAL SEE TABLE		PRODUCT SPEC 108-2043		SCALE 10:1 SHEET 1 OF 1
FINISH SEE TABLE		APPLICATION SPEC 114-2123		
		WEIGHT -		

