

4

3

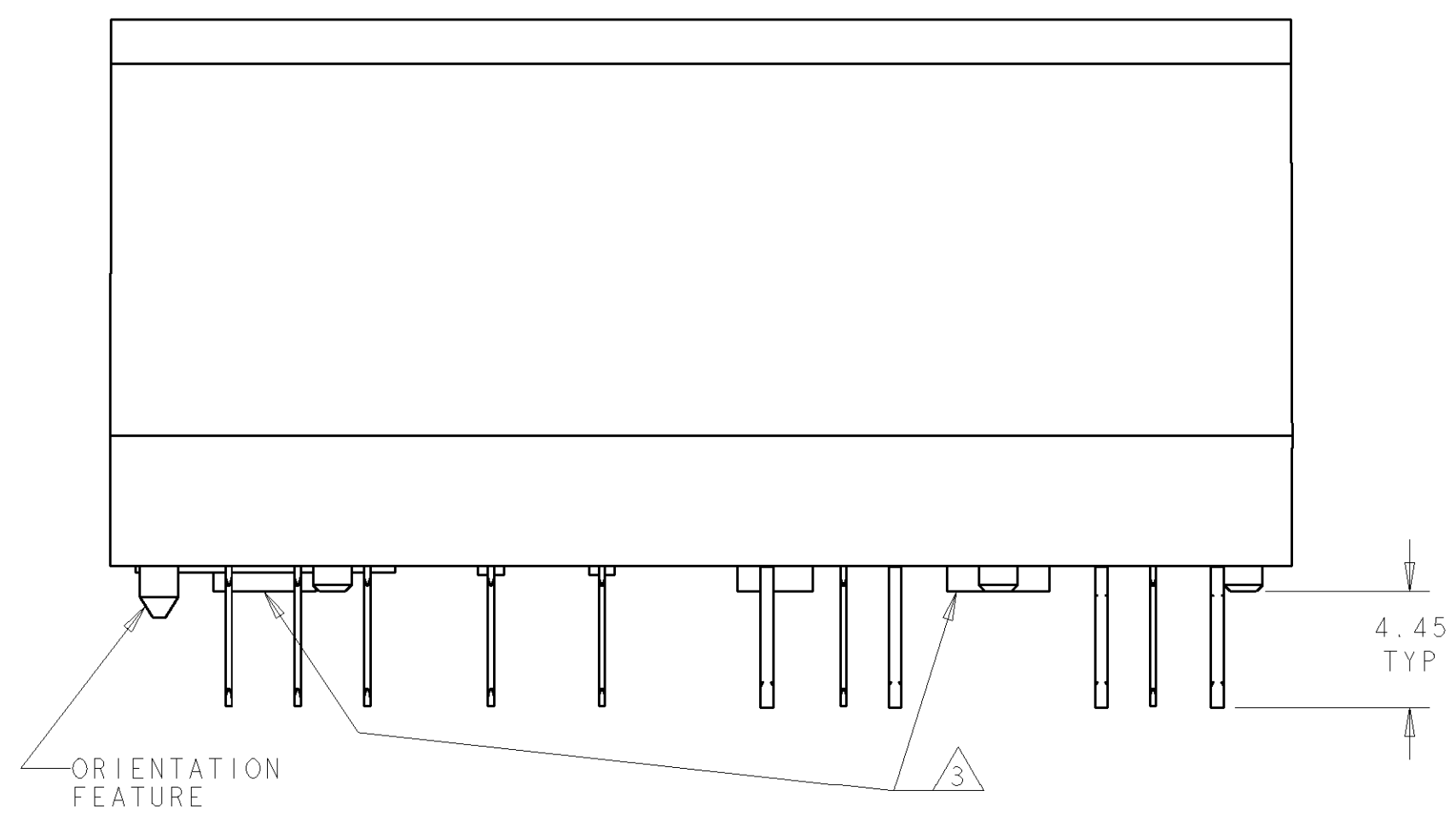
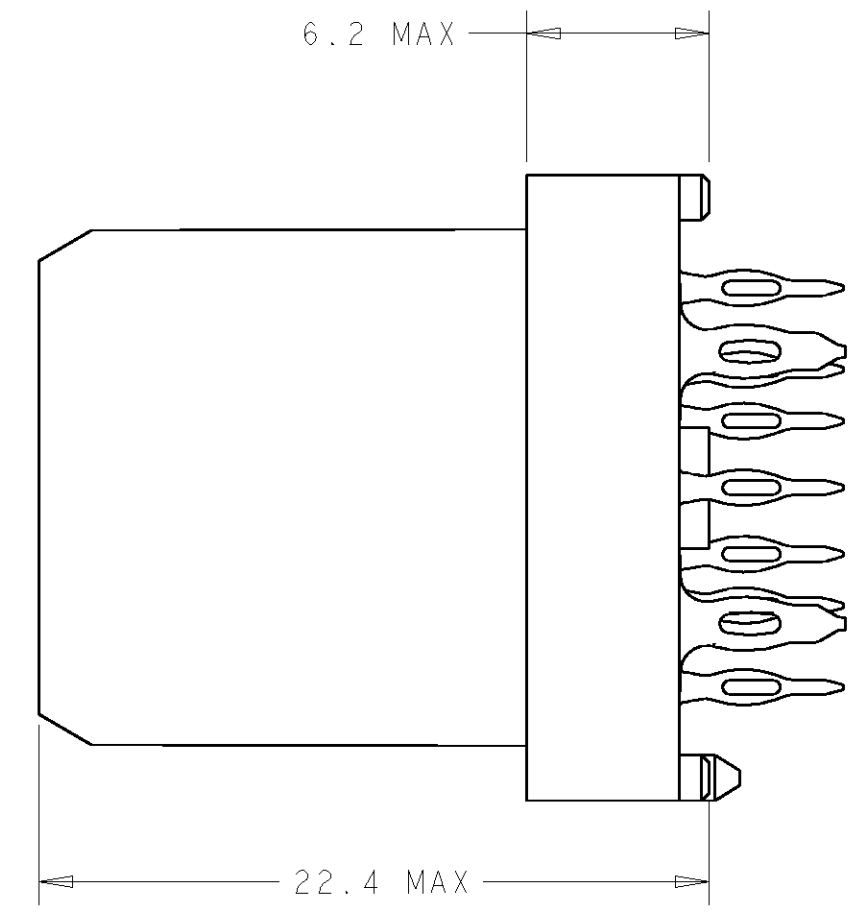
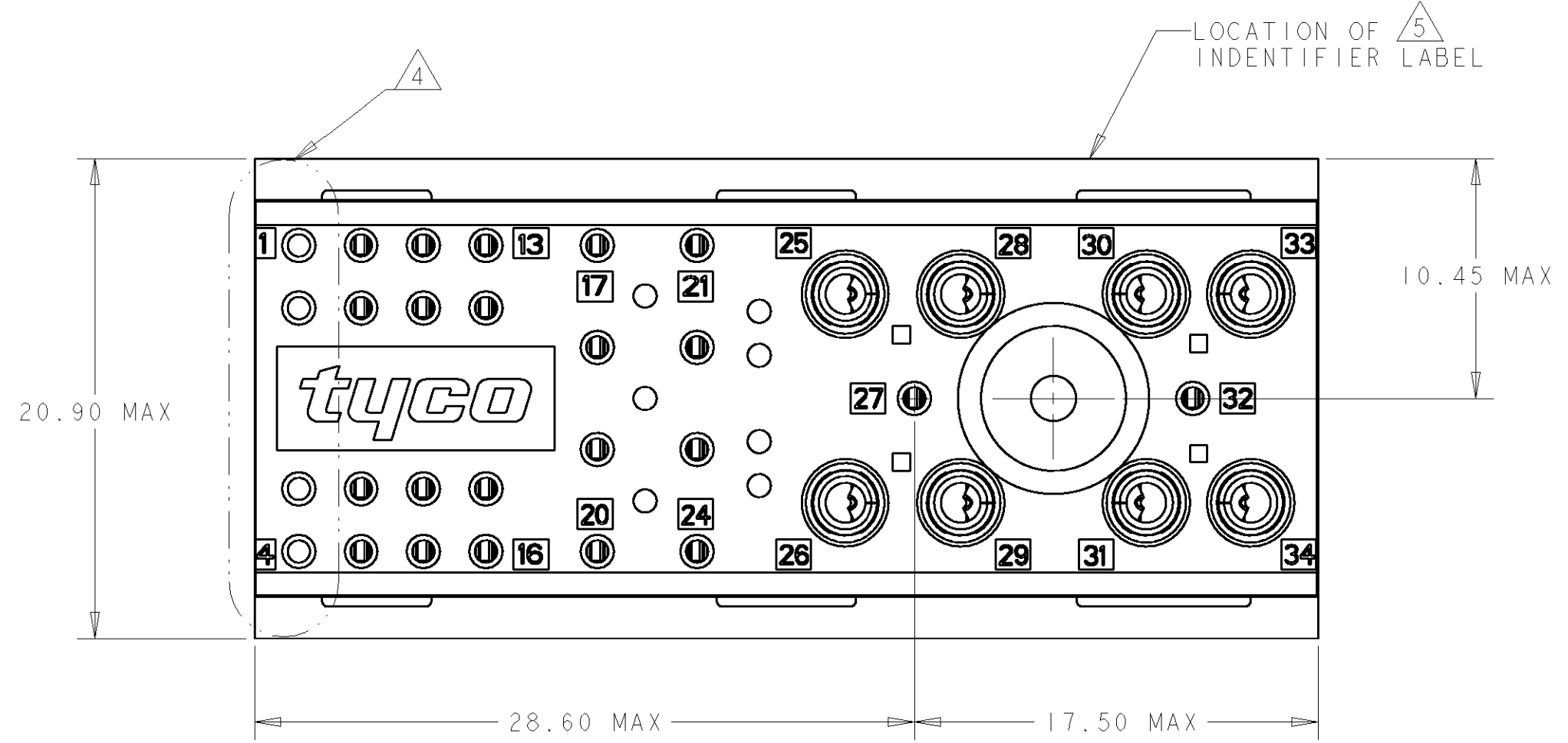
2

1

THIS DRAWING IS UNPUBLISHED. RELEASED FOR PUBLICATION 20
 © COPYRIGHT 20 BY TYCO ELECTRONICS CORPORATION. ALL RIGHTS RESERVED.

LOC GP DIST 00

REVISIONS					
P	LTR	DESCRIPTION	DATE	DWN	APVD
A		INITIAL REL PER ECO-06-019767	18AUG2006	GIP	MP
B		REV PER ECO-06-024221	18OCT2006	RG	MP
C		REV PER ECO-06-024742	25OCT2006	RG	MP

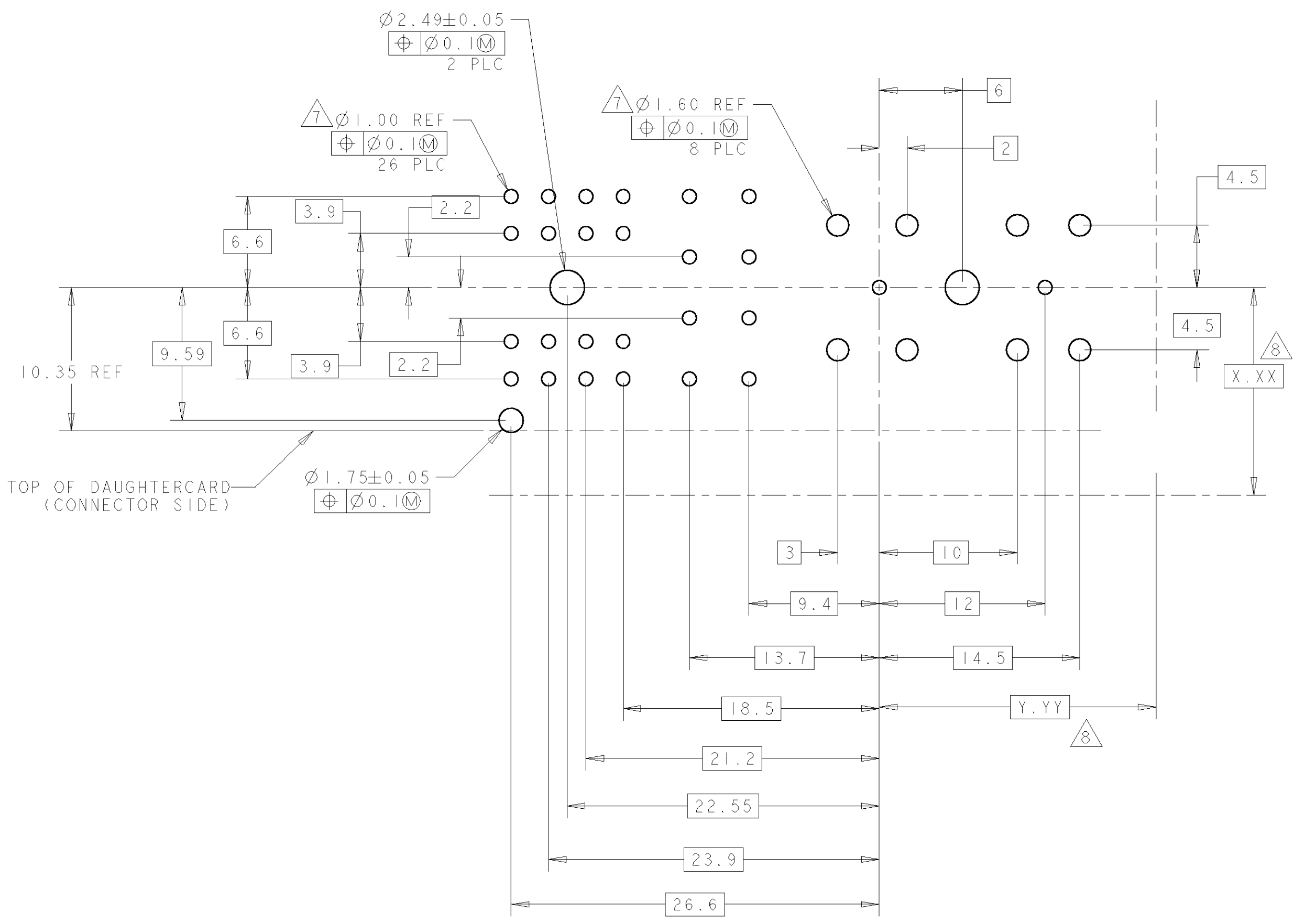


9	1766501-2
2	1766501-1
FINISH	PART NO

<small>THIS DRAWING IS A CONTROLLED DOCUMENT FOR TYCO ELECTRONICS CORPORATION. IT IS SUBJECT TO CHANGE AND THE CONTROLLING ENGINEERING ORGANIZATION SHOULD BE CONTACTED FOR THE LATEST REVISION.</small>		DWN L.SIPE 03JUN2005 CHK J.McCLELLAN 03JUN2005 APVD - 03JUN2005	tyco Electronics Tyco Electronics Harrisburg, PA 17105-3608
DIMENSIONS: mm 	TOLERANCES UNLESS OTHERWISE SPECIFIED: 0 PLC ± 1 PLC ± 2 PLC ±0.50 3 PLC ±0.250 4 PLC ± ANGLES ± FINISH	PRODUCT SPEC 108-2216 APPLICATION SPEC 114-13156 WEIGHT -	NAME CONNECTOR ASSEMBLY, VERTICAL, BACKPLANE, COMPLIANT PRESS FIT, ADVANCED TCA SIZE A2 CAGE CODE 0779 DRAWING NO C-1766501 RESTRICTED TO -
MATERIAL 1 - 2 9 -		CUSTOMER DRAWING	SCALE 1:1 SHEET 1 OF 2 REV C

THIS DRAWING IS UNPUBLISHED. RELEASED FOR PUBLICATION 20
 © COPYRIGHT 20 BY TYCO ELECTRONICS CORPORATION. ALL RIGHTS RESERVED.

LOC	DIST	REVISIONS					
GP	00	P	LTR	DESCRIPTION	DATE	DWN	APVD
		-		SEE SHEET 1			



PCB LAYOUT
 VIEWED FROM CONNECTOR SIDE
 SCALE 7:2

- 1 MATERIALS:
 INSULATORS: THERMOPLASTIC, GLASS REINFORCED, COLOR-GRAY, UL94V-0 FLAMMABILITY RATED.
 SIGNAL PINS: COPPER ALLOY.
 POWER CONTACTS: HIGH CONDUCTIVITY COPPER ALLOY.
- 2 FINISHES:
 CONTACTS MATING ZONE: GOLD PLATE, 0.76µm MIN THK
 OVER NICKEL 1.27µm MIN THK.
 SOLDER TAILS: TIN PLATED, 1.27µm MIN THK.
 OVER NICKEL 1.27µm MIN THK.
- 3 OPTIONAL MOUNTING SCREWS (Ø2.0mm x 5.0mm DP) FOR USE WITH SELF TAPPING SCREWS (CUSTOMER SUPPLIED).
- 4 POSITIONS 1-4 NOT POPULATED AND RESERVED FOR FUTURE USE.
- 5 ITEMS PROVIDED TO THIS SPECIFICATION TO BE PERMANENTLY IDENTIFIED PER THE FOLLOWING IDENTIFIER LABEL:
 YEAR WEEK
 PART NO DATE CODE (EG 0125)
 XXXXXXXX-X XXXX

6. GENERAL INFORMATION:

TYPE DESIGNATION	TYCO PART NO	SIZE NO	CONTACT QTY	MATING PIN DIA
ZP-A-030F-PI-2B	1766501-1	16 22	8 22	Ø1.60 Ø0.76

- 7 MANUFACTURING TOLERANCE FOR:
 Ø1.60^{+0.09}/_{-0.06} FINISHED HOLE WITH Sn PLATING:
 DRILLED HOLE = Ø1.75±0.025
 COPPER PLATING = 0.025 MIN
 Sn PLATING = 0.008 MIN
 Ø1.00^{+0.09}/_{-0.06} FINISHED HOLE WITH Sn PLATING:
 DRILLED HOLE = Ø1.15±0.025
 COPPER PLATING = 0.025 MIN
 Sn PLATING = 0.008 MIN
- 8 DATUMS AND BASIC DIMENSIONS TO BE ESTABLISHED BY CUSTOMER.
- 9 FINISHES:
 CONTACTS MATING ZONE: GOLD PLATE, 0.76µm MIN THK
 OVER NICKEL 1.27µm MIN THK.
 SOLDER TAILS: TIN-LEAD PLATED, 1.27µm MIN THK.
 OVER NICKEL 1.27µm MIN THK.

THIS DRAWING IS A CONTROLLED DOCUMENT FOR TYCO ELECTRONICS CORPORATION. IT IS SUBJECT TO CHANGE AND THE CONTROLLING ENGINEERING ORGANIZATION SHOULD BE CONTACTED FOR THE LATEST REVISION.		DWN L.SIPE 03JUN2005	Tyco Electronics Harrisburg, PA 17105-3608	
DIMENSIONS: mm		CHK J.McCLELLAN 03JUN2005	NAME CONNECTOR ASSEMBLY, VERTICAL, BACKPLANE, COMPLIANT PRESS FIT, ADVANCED TCA	
TOLERANCES UNLESS OTHERWISE SPECIFIED: 0 PLC ± 1 PLC ± 2 PLC ±0.50 3 PLC ±0.250 4 PLC ± ANGLES ± FINISH		APVD - 03JUN2005	PRODUCT SPEC -	RESTRICTED TO -
MATERIAL -		APPLICATION SPEC -	WEIGHT -	SCALE 1:1 SHEET 2 OF 2 REV C
		CUSTOMER DRAWING	SIZE A200779	DRAWING NO 1766501