

THIS DRAWING IS UNPUBLISHED.

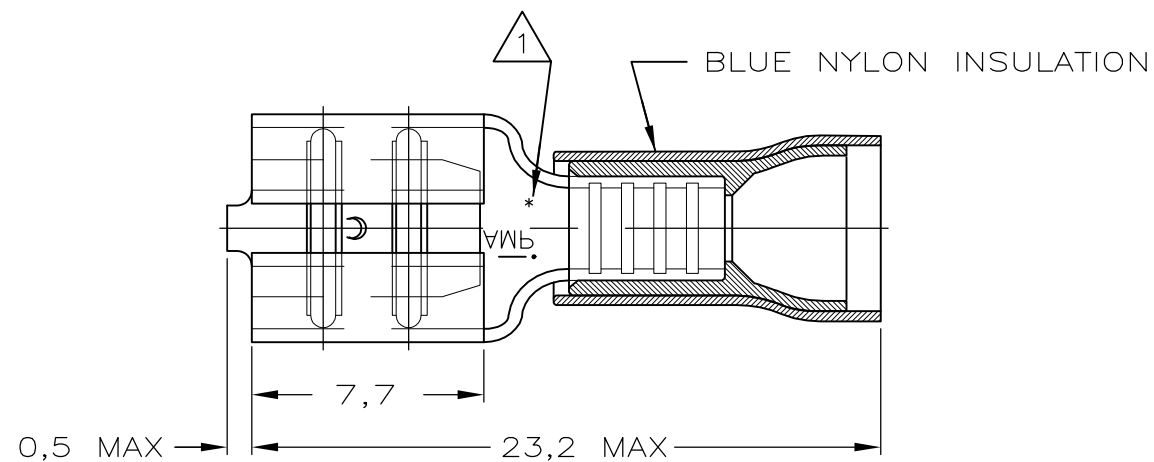
RELEASED FOR PUBLICATION

-, -

© COPYRIGHT BY TYCO ELECTRONICS CORPORATION.

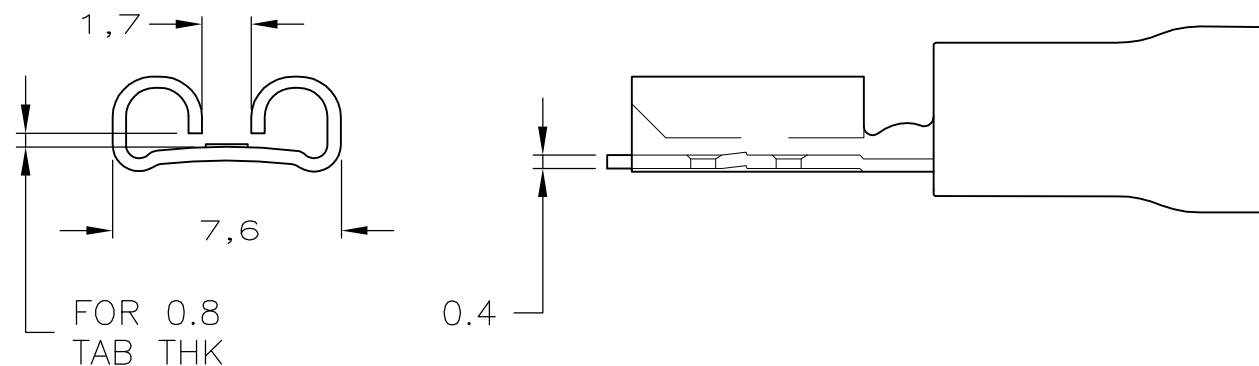
ALL RIGHTS RESERVED.

LOC	DIST	REVISIONS					
G	86	P	LTR	DESCRIPTION	DATE	DWN	APVD
			H2	REV PER ECR 08-028310	10NOV08	JR	TM



NOTES

- 1 ASTERISK \* FOR PH.BRONZE VERSIONS ONLY.
- 2 WIRE RANGE: 1,0-2,6mm<sup>2</sup>. INSUL. RANGE: 4,3mm MAX. DIA..
- 3 OBSOLETE WITHOUT REPLACEMENT



TAPE MOUNTED	1	GOLDPLATED	PH.BRONZE	<del>5-160313-7</del>	3
	1	SILVERPLATED	PH.BRONZE	<del>5-160313-6</del>	3
	1	TINPLATED	PH.BRONZE	5-160313-5	
LOOSE PIECE		GOLDPLATED	BRASS	<del>5-160313-4</del>	3
		SILVERPLATED	BRASS	<del>5-160313-3</del>	3
		TINPLATED	BRASS	5-160313-2	
	1	TIN-LEAD	PH.BRONZE	<del>9-160313-8</del>	3
	1	GOLDPLATED	PH.BRONZE	<del>9-160313-7</del>	3
	1	SILVERPLATED	PH.BRONZE	9-160313-6	
PACKAGE TYPE		GOLDPLATED	BRASS	<del>9-160313-4</del>	3
		SILVERPLATED	BRASS	<del>9-160313-3</del>	3
		TINPLATED	BRASS	9-160313-2	
		FINISH	MATERIAL	PARTNUMBER	

THIS DRAWING IS A CONTROLLED DOCUMENT.		DWN JR RUTH 08OCT04	Tyco Electronics Corporation Harrisburg, Pa 17105-3608	
DIMENSIONS: mm		CHK T MICHIELUTTI 08OCT04	NAME .250 SRS P.I.D.G. FASTON REC.	
TOLERANCES UNLESS OTHERWISE SPECIFIED: 0 PLC ± - 1 PLC ± - 2 PLC ± 0.38 3 PLC ± - 4 PLC ± - ANGLES ± -		APVD T MICHIELUTTI 08OCT04	PRODUCT SPEC -	
MATERIAL -		FINISH -	APPLICATION SPEC -	RESTRICTED TO -
		WEIGHT -	SIZE A3	CAGE CODE 00779
		CUSTOMER DRAWING	DRAWING NO C=160313	REV H2
		SCALE -	SHEET 1 OF 1	