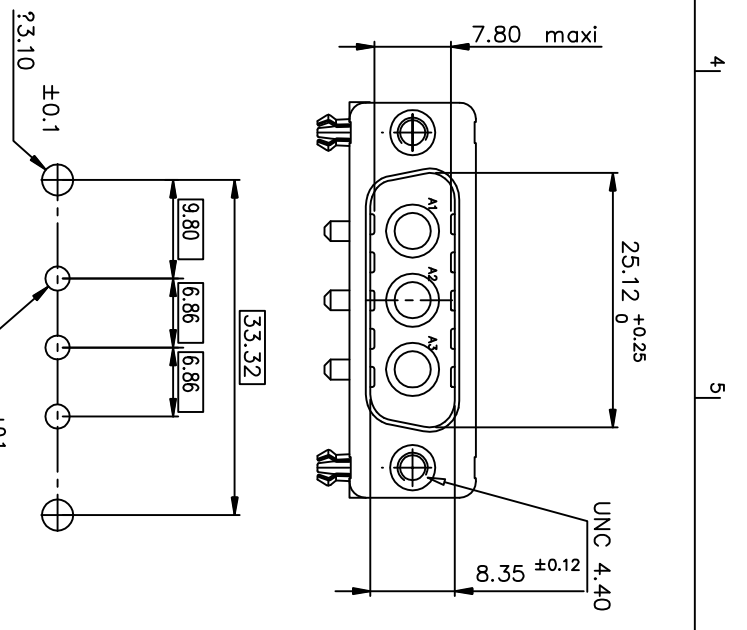
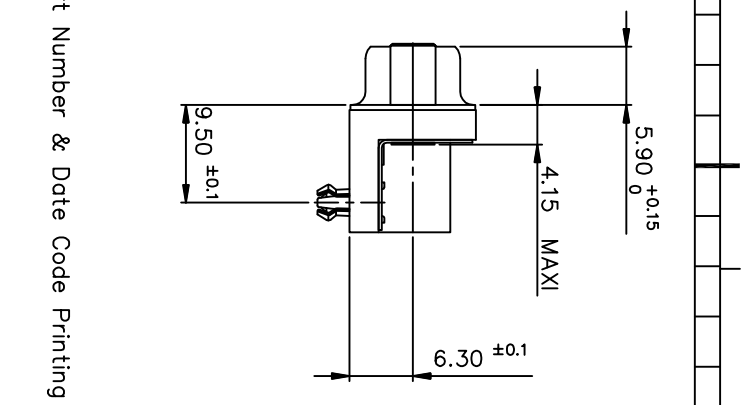
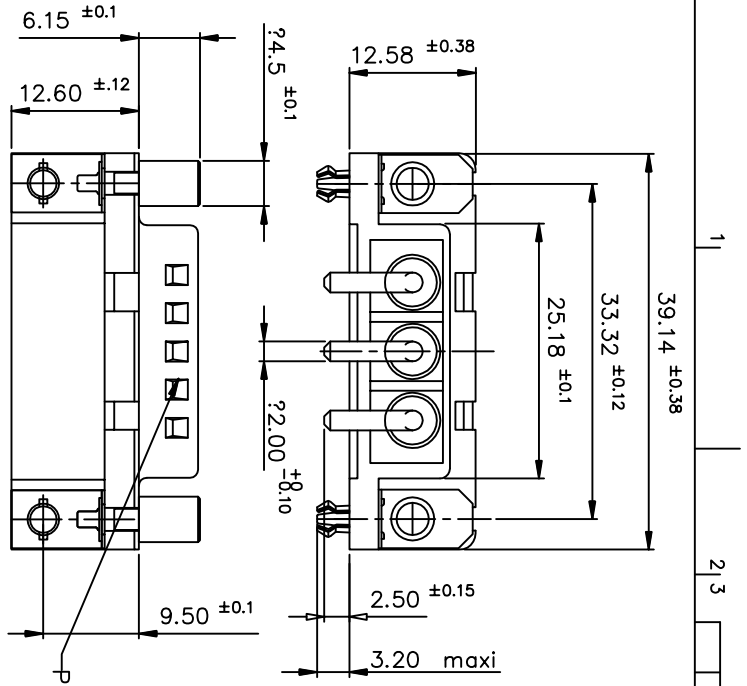




FCIconnect.com

Copyright FCI



**REQUIREMENTS**

Technical characteristics:

Shell: steel tin plated  
 Insulators: self-extinguishing thermoplastic, ULclass94V0  
 and 2» SnPb +1.27 Ni mini on termination end  
 Grounding brackets: brass, tin plated  
 Female screwlock: brass, tin plated  
 Harpoon: brass, tin plated

Electrical characteristics:

max. current rating: 30A per contact  
 Test voltage: 1000V  
 Rated voltage: 300V  
 Contact resistance: ?5m?  
 Shell resistance: ?5m?  
 Insulation resistance: ?5000M?  
Climatic characteristics:  
 Operating temperature range: -55?c +125?c  
Dimensions:  
 in accordance with MIL-C-24308

Part Number & Date Code Printing

PC card drilling dimensions

(thickness 1.60mm)

LF FOR LEAD FREE

D3W3P36AGV08\*\*

FOR ROHS DETAILS REFER DWG.NO: C01-8646-0000

mat'l. code		surface		tolerance		projection		product family	
lfr	ecn no	dr	date	ISO 1302	ISO 406 ISO 1101	ISO 1101	MM	D-SUB	
E	106-0124	JS	2005-07-27			0.x±0.1			
F	106-0074	SK	2006-06-08			0.xxx±0.1			
		O.x±.1		0.xxx±0.1		scale			
		dr JOHN SLEEBA 1994-07-06							
		enjr GEORGE VJ 1994-07-06							
		chr GEORGE VJ 2005-07-27							
		apdd (KVS) 2005-07-27							
sheet	revision	F							
index	sheet	1							
		41							
		51							
		6							



product family: D-SUB  
 title: SUB DELTA D3W3 WITH POWER CONTACTS  
 right angle - UNC4-40 harpoon  
 dwg no: C01-8646-0246  
 sheet 1 of 1  
 size: A3

1 2 3 4 5 6  
 1 2 3 4 5 6