

## Introduction

USB To UART Module, Micro / Mini / Type-A / Type-C Connectors, High Baud Rate Transmission

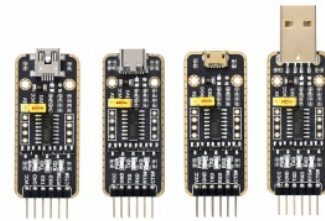
### Features

- Adopts new version CH343G chip. Compared with CH340G, it supports a higher data rate (up to 6Mbps) and more serial port IO levels (5V / 3.3V / 2.5V / 1.8V).
- Supports Mac, Linux, Android, Windows 7/8/8.1/10/11.
- Onboard resettable Fuse and Transient Voltage Suppressor, anti-overcurrent and anti-overvoltage, anti-surge, anti-static, improve shock resistance, stable and safe communication performance.
- Onboard IO protection circuits, anti-surge, anti-static, stable, and safe communication performance.
- Onboard 3.3V and 5V TTL level switch pins for selecting TTL communication level.
- Support 3.3V/5V output (the module is powered by USB, and the onboard jumper should be shorted to 3.3V or 5V accordingly).
- Adopts double-sided black immersion gold process, which is durable and has a good look.

### Specifications

- Host interface: USB
- Device interface: UART
- Communication range: 50bps ~ 6Mbps
- USB Device Interface:
  - Connector: mini-USB, micro-USB, USB Type-A, USB Type-C;
  - Protection: resettable Fuse, ESD protection
- UART interface:
  - Connector: 6pin right-angle pin header;
  - Protection: IO protection diode

#### CH343 USB UART Board

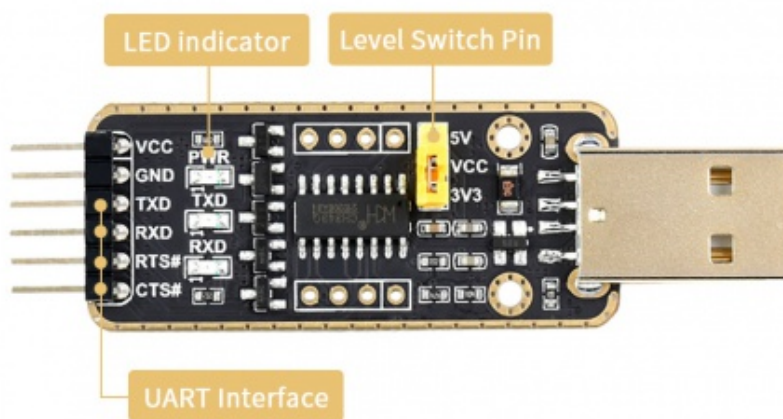


USB TO UART solution with USB Type A connector

Parameter name	Parameters
Product Type	USB to TTL
Supply Voltage	5V
Communication rate	50bps ~ 6Mbps
Serial Port TTL Level	5V/3.3V/2.5V/1.8V <sup>①</sup>
Operating System	Mac OS, Linux, Windows 11 / 10 / 8.1 / 8 / 7, Android

①: The onboard 5V/3.3V can be selected by the jumper cap or the jumper cap can be unplugged, and the external voltage input can also be used (2.5V/1.8V, except industrial grade).

## Pinouts



PIN	Description
VCC	5V or 3.3V output for external device (configured by jumper)
GND	Power ground
TXD	Connects to MCU.RXD
RXD	Connects to MCU.TXD
RTS#	Connects to MCU.CTS
CTS#	Connects to MCU.RTS
RI#	MODEM contact input signal, ringing indication, active low
DCD#	MODEM contact input signal, carrier detection, active low
DTR#	MODEM contact output signal, data terminal ready, active low
DSR#	MODEM contact input signal, data device ready, active low

## About CH343

CH343 is a USB bus adapter chip, realizes USB to high-speed asynchronous serial port and supports up to 115200bps communication Automatic identification and dynamic self-adaptation of baud rate, providing common MODEM contact signals for expanding asynchronous serial ports of computers, or feature USB bus for the common serial device or MCU.

## How to use

## Windows

---

For most of the PC, the driver for CH343 is CDC by default, if you need to use the VCP driver, please download the driver and install it manually.

The CH343 USB UART board use software flow control by default, if you want to use hardware flow control, connect CFG to EN for CDC mode, and set in SSCOM software for VCP mode.

## Linux/Raspberry Pi

---

To work with Raspberry Pi, it is driver-free, just connect and check with the following command:

```
ls /dev/tty*
```

The port should be named ttyACM0, user can use the minicom tool to test.

```
sudo apt-get install minicom -y  
minicom -D /dev/ttyACM0
```

## MacOS

---

To use with MacOS, please download the driver and follow the guide:

- [CH343 driver for MacOS](#)
- [MacOS guide](#)

## Android

---

To use it with an Android device, please download the APP and test it.

- [UART APP in Android](#)

3. Set the parameters to use.







## Resources

- [CH343 datasheet](#)
- [SSCOM software](#)
- [CH343 VCP driver for Windows](#)
- [CH343 driver for MacOS](#)
- [MacOS guide](#)
- [UART APP in Android](#)

## FAQ

**Question:**How to use 2.5V or 1.8V serial port level?

**Answer:**

The product can be selected by jumper caps for onboard 5V/3.3V, or it can be unplugged and input via external voltage as well (2.5V/1.8V).

**Question:**After installing the driver in the WIN7 environment, it shows that I can't verify the digital signature of this device, how can I fix it?

**Answer:**

This is a Microsoft bug, click to download the [driver](#)  repair tool and install it.

## Beware of knock-offs

Please note that we've found some poor copies of this item in the market. They are usually made of inferior materials and shipped without any testing.

You might be wondering if the one you're watching or you've purchased in other non-official stores is original, feel free to contact us.

## Support

### Technical Support

If you need technical support or have any feedback/review, please click the **Submit Now** button to submit a ticket, Our support team will check and reply to you within 1 to 2 working days. Please be patient as we make every effort to help you to resolve the issue.

Working Time: 9 AM - 6 AM GMT+8 (Monday to Friday)

[Submit Now](#)