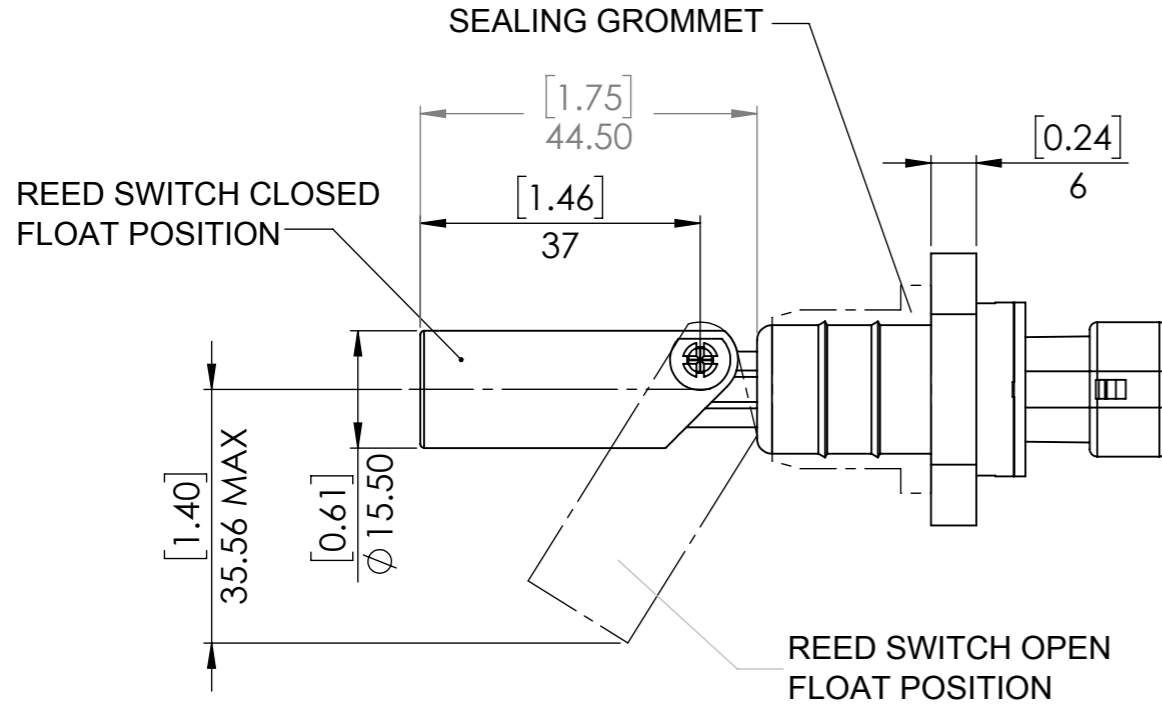


USED ON

DWG NO 20017663-00

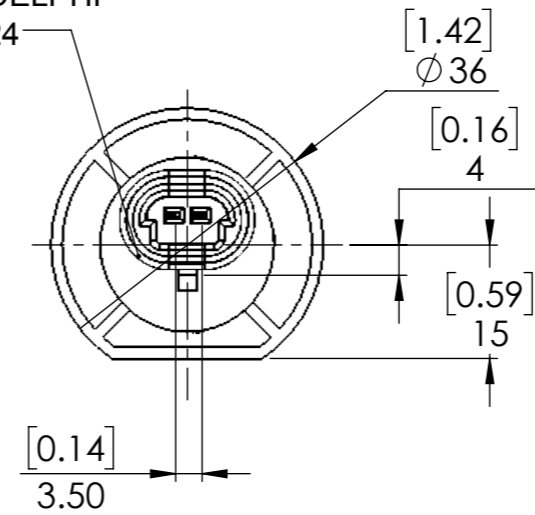
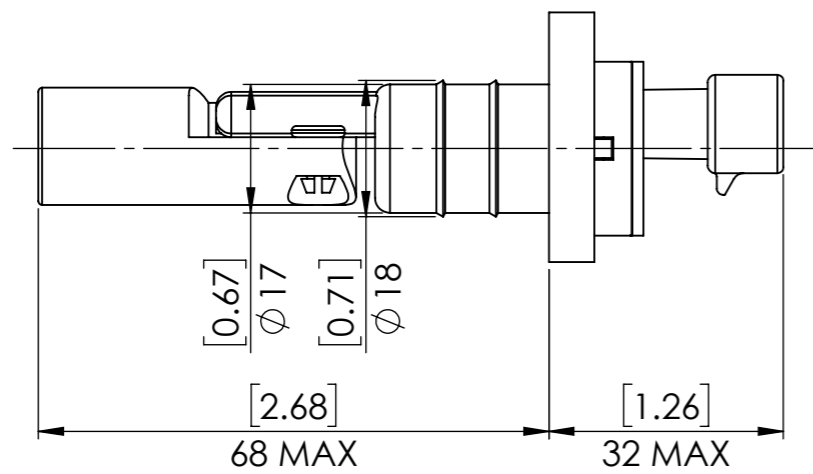
THIS DRAWING IS A CONTROLLED DOCUMENT



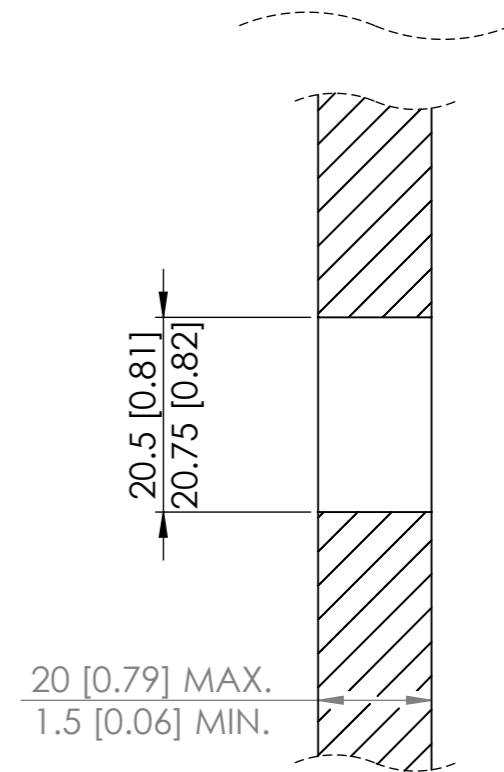
NOTE:

- ASSEMBLY IS A PUSH FIT INTO TANK WALL USING SEALING GROMMET.
- MATERIAL:  
HOUSING - ACETAL COPOLYMER / NYLON 6.6  
FLOAT - POLYPROPYLENE  
GROMMET - EPDM

DELPHI AS PACKARD 150 TYPE  
CONNECTOR, MATES WITH DELPHI  
PACKARD PART No. 1533 6024



TANK OPENING DETAILS



THIS INFORMATION IS CONFIDENTIAL AND PROPRIETARY TO TYCO ELECTRONICS CORPORATION AND ITS WORLDWIDE SUBSIDIARIES AND AFFILIATES (TE). IT MAY NOT BE DISCLOSED TO ANYONE, OTHER THAN TE PERSONNEL, WITHOUT AUTHORIZATION FROM TE (www.TE.com).

DIMENSIONS: mm	TOLERANCES UNLESS OTHERWISE SPECIFIED:
	0 PLC -
	1 PLC +0.5
	2 PLC +0.13
	3 PLC +0.013
	4 PLC +0.0001
ANGLES ±	
SURFACE TEXTURE	

DWN L Hernandez	MATERIAL	WEIGHT kg
CHK R Cooper		
APVD J Pendleton		
NAME LCS-03 HORIZONTAL LEVEL SWITCH PUSH FIT		
SCALE 1:1	SIZE A3	DRAWING NO 20017663-00
SHEET 1 OF 1		REV A

# Mouser Electronics

Authorized Distributor

Click to View Pricing, Inventory, Delivery & Lifecycle Information:

[TE Connectivity:](#)

[20017663-00](#)