



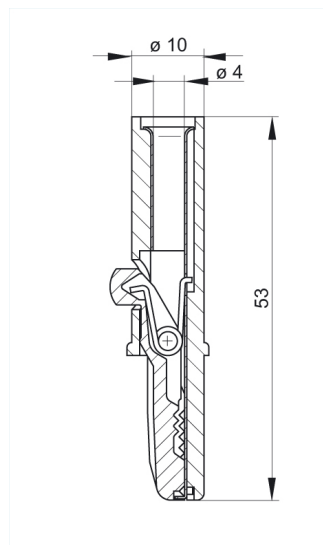
## AK 10 rot/red

Measuring and Testing Equipment:Alligator clips:4 mm system

### Product description

Description	Insulated crocodile clip. Clamping range up to 6 mm bolt diameter. Fine wire section for very thin wires. Only the lower part of the clip has a tin-plated, brass contact insert. 4 mm diameter socket connection.
Type	AK 10 rot/red
Order No.	930 126-601
System	4 mm system
Clamping range	6 mm
Housing Color	red
Other standard types	black color, order no. 930 126-100; blue color, order no. 930 126-102; yellow color, order no. 930 126-103; green color, order no. 930 126-104

### Drawing



### Technical data

Type of contact	socket
Type of termination	4 mm socket
Rated voltage	DC 60 V
Rated current	6 A
Contact resistance	15 mOhm

### Material

Contact material	brass
Contact surface material	tinned
Housing material	PS

**Environmental conditions**

Temperature range	-25 °C to +60 °C
-------------------	------------------

**Inflammability class**

Housing	94 HB
---------	-------