



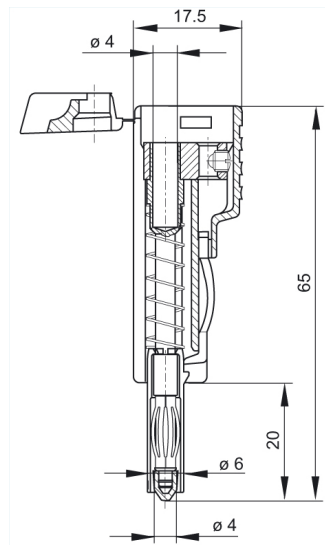
SLS 200 schwarz/black

Measuring and Testing Equipment:Plugs:4 mm sliding sleeve system

Product description

| | |
|----------------------|---|
| Description | Banana plug, touch-protected, with capability of further connection, with solder connection for cross-sections up to 2.5 mm ² , insulated by latching and sprung insulating sleeve which is only released by pressure on the side-mounted locking spring. 4 mm diameter. |
| Type | SLS 200 schwarz/black |
| Order No. | 932 153-100 |
| System | 4 mm sliding sleeve system |
| Housing Color | black |
| Other standard types | red color, order no. 932 153-101 |

Drawing



Technical data

| | |
|---------------------|-----------------------------|
| Pin dimensions | 4 mm with laminated spring |
| Type of contact | pin (spring loaded), socket |
| Type of termination | screw |
| Rated voltage | DC 300 V |
| Rated current | 30 A |
| Contact resistance | 5 mOhm |

Material

| | |
|--------------------------|------------------|
| Contact material | copper beryllium |
| Contact surface material | nickel-plated |
| Housing material | PP |

Environmental conditions

| | |
|-------------------|------------------|
| Temperature range | -25 °C to +80 °C |
|-------------------|------------------|

Inflammability class

