

Explosion Protection: EExe II T6, Increased Safety

BASEEFA Certificate of Conformity: Ex 90C3070X
BS5501 Parts 1 & 6
EN50014 and EN50019

Ingress Protection: IP66 BS5420, IEC144

Materials: Black glass filled polyester enclosure
flame retardant to IEC92.1, UL94VO
Anti static < 10⁹ Ohm
Impact resistant > 2 x 7 Nm, BS5501 Part 1
Lid screws, captive stainless steel slot head
Lid gasket, captive silicone 'O' ring

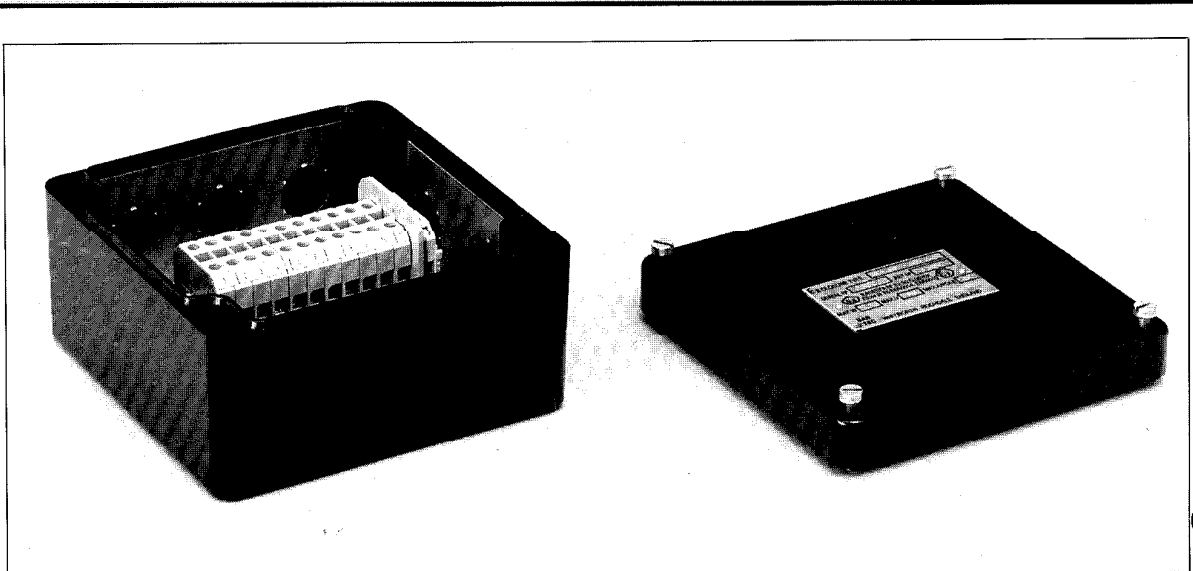
Optional Extras: External Hinges
Socket head lid screws
External fixing brackets
Additional labels
Brass continuity plate
External earth

Technical Information

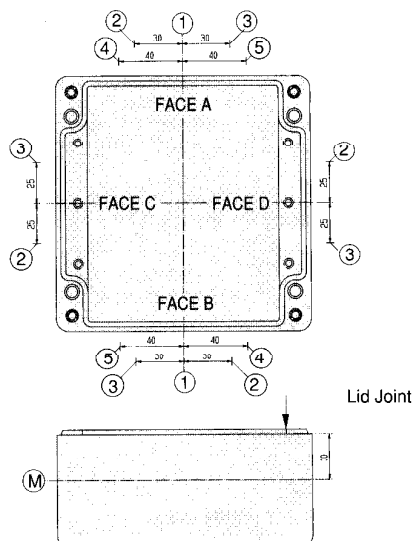
Please refer to pages 18 & 19 or ask our technical sales office for help and advice if assistance is required. The enclosures are also available as component approved empty enclosures and additional approval is required prior to fitting in a hazardous area.

*****ERA/SHELL WATER DELUGE TESTED*****

*****NOW AVAILABLE IN A RANGE OF COLOURS*****



OVERALL DIMENSIONS 160 x 160 x 90mm.



Thread Size	Face Ref.	Tappings Per Face	Tapping Positions
16/20mm 3/4" ET PG 13.5 PG 11	A & B	3	1M, 4M, 5M
	C & D	2	2M, 3M
25mm 1" ET PG 16	A & B	2	2M, 3M
	C & D	2	2M, 3M
32mm 1 1/4" ET PG 21	A & B	2	2M, 3M

1. When mixed tapping sizes are required on a face, they must occupy the positions shown for the largest entry size on the face.
2. Special entry positions such as rear entries, and sizes are available, please ask for further information.

Terminal Type	Max Volts	Max Current Column 1		Conductor Size Stranded & Solid		Continuity Plate Fitted	
		Max No of Terminals	Max Amps	Min	Max	YES	NO
SAK 2.5	550	15+EK4	15	0.5 mm ²	2.5 mm ²	ART N° E2000	ART N° E2001
SAK 4	550	14+EK4	21	0.5 mm ²	4 mm ²	ART N° E2002	ART N° E2003
SAK 6N	550	11+EK10	26	0.5 mm ²	6 mm ²	ART N° E2004	ART N° E2005
SAK 10	550	8+EK10	37	2.5 mm ²	10 mm ²	ART N° E2006	ART N° E2007
SAK 16	726	6+EK16	47	6 mm ²	16 mm ²	ART N° E2008	ART N° E2009
BK12+BK4	275	1+1+BET2	21	0.5 mm ²	4 mm ²	ART N° E2010	ART N° E2011
BTB 4 (4 way)	660	1+BET2	37	0.5 mm ² Stranded	4 x 6 mm ² or 2 x 10 mm ² + 1 x 6 mm ²	ART N° E2012	ART N° E2013
BTB 6 (6 way)	660	1+BET2	37			ART N° E2014	ART N° E2015
2 x BTB 4	660	2+BET2	37			ART N° E2016	ART N° E2017
2 x BTB 6	660	2+BET2	37	See page 17 for permissible conductor arrangements		ART N° E2018	ART N° E2019
DK 4Q	275	11+EK4	16	0.5 mm ²	4 mm ²	ART N° E2020	ART N° E2021
Earth Terminal							
EK 4				0.5 mm ²	4 mm ²		
EK 10				2.5 mm ²	10 mm ²		
EK 16				6 mm ²	16 mm ²		
BET 2				0.5 mm ² Stranded	4 x 6 mm ² or 2 x 10 mm ² + 1 x 6 mm ²		
				See page 17 for permissible conductor arrangements			
QS 4 Earth Bars		4 per bar 2 bars per box		0.5 mm ²	4 mm ²	These earth bars are suitable for installations where plastic cable glands are used with an individual earth in each cable	

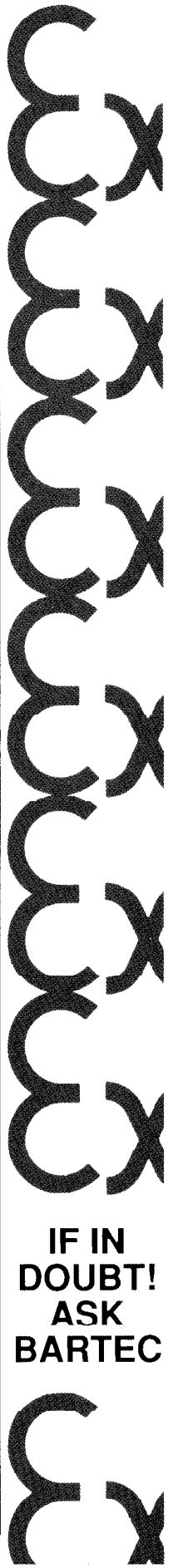
1. Not more than one single or multi-strand lead may be connected into either side of the feed-through terminals.
2. When additional rail mounted earth terminals are required, the number of feed-through terminals shall be reduced accordingly.
3. Combinations of different size terminals are permitted. Contact Bartec for further details.
4. Internal earth plates are available for providing continuity between cable entries and the internal earth terminal. The standard earth plate material is zinc plated steel.
5. Column 1 contains the maximum current values and terminal quantities permissible.
6. Bartec can supply Phoenix Ex terminals in this box if required. Contact Bartec for further details.
7. Klippon Polyamide terminals are available on request.
8. The BTB & BET2 type terminals may accept up to four conductors in each pillar terminal. See page 17 for further details.
9. The DK4Q terminals are double tiered. Each terminal has two feed-through connections.
10. Blue terminals and labels for Intrinsically Safe circuits are available if required.
11. Earth bars are also available if required.
12. When cross connections are used to join terminals, the maximum number of terminals may need to be reduced.

Typical Order Formats

(Please note that the new shortform order reference for the Ex type GB-5103-1601/6090 enclosure is **GB-160**)

(a) Enclosure
Ref. GB-160
 Art. No. E2001
 Without tappings

(b) Enclosure
Ref. GB-160
 C/W 9 x SAK 2.5 terminals
 Fitted with 3 x 3 pole jumper bars
 C/W 2 x EK4 earth terminals
 3 x M25 tappings
 Face A 2M, 3M
 Face B 3M
 C/W earth continuity plate



**IF IN DOUBT!
 ASK BARTEC**