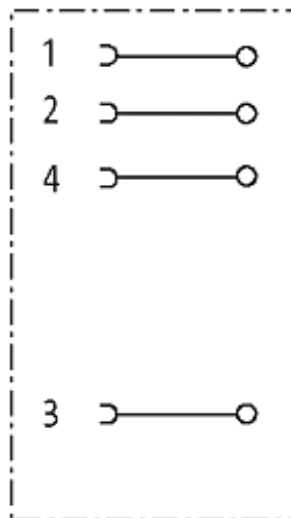
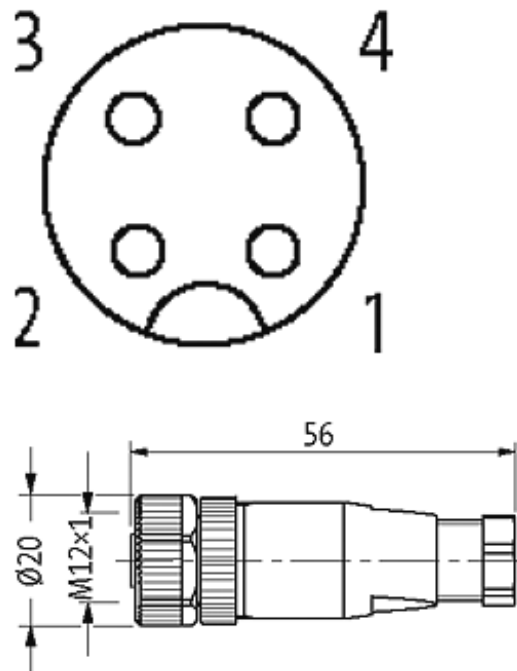


M12 FEMALE STRAIGH FIELD-WIREABLE SCREW TERM.4-pol. max.0,75mm² 4-6mm

Plastic housings with good resistance against chemicals and oils. The resistance to aggressive media should be individually tested for your application. Further details on request.

[Link to Product](#)**Illustration**

Female



Product may differ from Image

Approvals



Form

Form 12901

Technical Data

Operating voltage	max. 250 V AC/DC
Operating current per contact	max. 4 A
Connection cross section	max. 0.75 mm ²
Sealing range (cable Ø)	4...6 mm
Locking of ports	Screw thread M12 x 1 mm (recommended torque 0.6 Nm) self-securing
Protection	IP67 inserted and tightened (EN 60529)

General data

Dimensions H x W x D	54x20x20 mm
Temperature range	-40...+85 °C

Commercial data

country of origin DE

customs tariff number	85369010
EAN	4048879201568
eClass	27279221
minimum order quantity	1