

Series 34 Shorting Cap Backshells

for MIL-DTL-38999 Series I and II Connectors

340FS002 Shorting Cap Backshell, Direct Coupling



Adapter Code F

This accessory fits these connectors:
MIL-DTL-38999 Series I and Series II

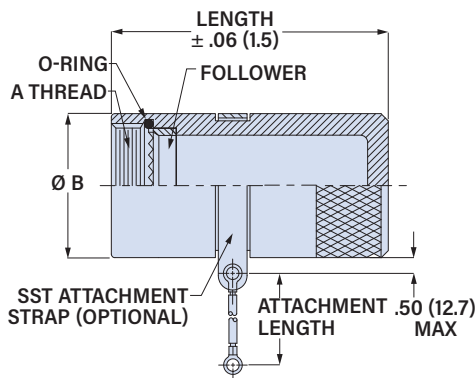
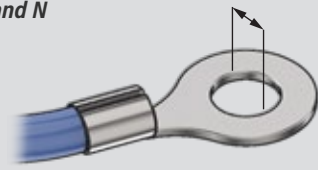
ATTACHMENT TYPES

F		Wire Rope, Blue Nylon Jacket 6/6 nylon over stainless steel rope, stainless steel ring terminal, fair flexibility, good abrasion resistance, -55 to +100 °C
G		Nylon Rope Solid braided nylon cord, black, stainless steel ring terminal, very flexible, good abrasion resistance, good resistance to fuels, .120" (3mm) diameter, -55 to +100 °C
H		Wire Rope, Clear FEP Jacket Clear FEP jacket over SST rope, stainless steel ring terminal, fair flexibility, good abrasion resistance, .100" diameter, -55 to +200 °C
S		Sash Chain #8 sash chain, stainless steel
U		Wire Rope, Black Polyurethane Stainless steel rope with black polyurethane coating, stainless steel ring terminal, very flexible, excellent abrasion resistance, excellent resistance to fuels, .080" (2mm) diameter, -55 to +125 °C

Direct coupling. Shorting cap backshell fits MIL-DTL-38999 Series I and II connectors. Tether backshell with optional attachment strap and lanyard. Aluminum or stainless steel. Attachment strap and hardware are passivated stainless steel.

PART NUMBER

Base P/N	340FS002	340FS002	M	16	-2	F	12	A																																					
Material/Finish	M Alum/ Electroless Nickel MT Alum/ Nickel-PTFE NF Alum/ Olive Drab Cadmium ZR Alum/ Black Zinc-Nickel TZ Alum/ Tin-Zinc ZI SST/ Passivated																																												
Shell Size	<table border="1"> <tr> <td></td> <td colspan="8">Shell Size</td> </tr> <tr> <td>38999 Series I</td> <td>9</td> <td>11</td> <td>13</td> <td>15</td> <td>17</td> <td>19</td> <td>21</td> <td>23</td> <td>25</td> </tr> <tr> <td>38999 Series II</td> <td>8</td> <td>10</td> <td>12</td> <td>14</td> <td>16</td> <td>18</td> <td>20</td> <td>22</td> <td>24</td> </tr> <tr> <td>Size Code</td> <td>08</td> <td>10</td> <td>12</td> <td>14</td> <td>16</td> <td>18</td> <td>20</td> <td>22</td> <td>24</td> </tr> </table>		Shell Size								38999 Series I	9	11	13	15	17	19	21	23	25	38999 Series II	8	10	12	14	16	18	20	22	24	Size Code	08	10	12	14	16	18	20	22	24					
	Shell Size																																												
38999 Series I	9	11	13	15	17	19	21	23	25																																				
38999 Series II	8	10	12	14	16	18	20	22	24																																				
Size Code	08	10	12	14	16	18	20	22	24																																				
Length	-2 1.0 inch -3 1.5 inches -4 2.0 inches -5 2.5 inches -6 3.0 inches	Length in ½ inch increments.																																											
Attachment Type	N No Attachment C Attachment Strap Only, No Lanyard F Wire Rope, Blue Nylon Jacket G Nylon Rope H Wire Rope, Clear FEP Jacket S Sash Chain U Wire Rope, Black Polyurethane Jacket																																												
Attachment Length	Omit for Attachment Types C and N Attachment Length in ½ inch increments. "11" = 5.5 inches.																																												
Lanyard Ring I.D.	Omit for Attachment Types C and N E .125 (3.2) ± .010 (0.3) A .140 (3.6) ± .010 (0.3) B .167 (4.2) ± .010 (0.3) C .182 (4.6) ± .010 (0.3) D .191 (4.9) ± .010 (0.3) F .218 (5.5) ± .010 (0.3)																																												



Shell Size	A Thread UNEF-2B	øB Max in	øB Max mm
8/9	0.4375-28	.59	15.0
10/11	0.5625-24	.72	18.3
12/13	0.6875-24	.84	21.3
14/15	0.8125-20	.97	24.6
16/17	0.9375-20	1.09	27.7
18/19	1.0625-18	1.22	31.0
20/21	1.1875-18	1.34	34.0
22/23	1.3125-18	1.47	37.3
24/25	1.4375-18	1.59	40.4

Mouser Electronics

Authorized Distributor

Click to View Pricing, Inventory, Delivery & Lifecycle Information:

Glenair:

[340FS002M14-4N](#) [340FS002M24-4N](#) [340FS002M14-3N-186F](#) [340FS002M18-3N-186F](#) [340FS002NF18-3H8B324](#)
[340FS002822-3C](#) [340FS002B183F6A](#) [340FS002M16-6F5B](#) [340FS002M18-6F5B](#) [340FS002M22-6F5B](#)
[340FS002NF18-4N](#) [340FS002M16-2N](#) [340FS002M16-5N-186F](#) [340FS002M24-2N](#) [340FS002M24-5N](#)
[340FS002M24-5N-186F](#) [340FS002NF08-2N](#) [340FS002NF14-4E8B](#) [340FS002NF18-2S6E](#) [340FS002NF24-2E12D](#)
[340FS002NF24-2N](#) [340FS002M14-5N-186F](#) [340FS002B14-4C](#) [340FS002B18-5N](#) [340FS002B24-6N](#) [340FS002M10-](#)
[2N](#) [340FS002M12-4N](#) [340FS002M14-2N](#) [340FS002M14-3N](#) [340FS002M14-6N](#) [340FS002M16-4N-241](#)
[340FS002M20-3N-186F](#) [340FS002M22-3N-186F](#) [340FS002N10-2F12A](#) [340FS002N24-4N](#) [340FS002N24-6C](#)
[340FS002N24-6H20C](#) [340FS002N24-6N68C](#) [340FS002NF08-4N](#) [340FS002NF10-2E12D-324](#) [340FS002NF10-2N](#)
[340FS002NF10-3N-15](#) [340FS002NF10-4N](#) [340FS002NF12-3F8E](#) [340FS002NF14-2N](#) [340FS002NF14-6N](#)
[340FS002NF14-7N-114A](#) [340FS002NF16-2U8A](#) [340FS002NF20-2U8A](#) [340FS002NF20-4N](#) [340FS002NF20-6N](#)
[340FS002NF20-8C](#) [340FS002NF22-2U8A](#) [340FS002NF22-4N](#) [340FS002Z116-3C](#) [340FS002NF16-4N](#)
[340FS002M10-4N](#) [340FS002M20-5N-186F](#) [340FS002M24-3N-186F](#) [340FS002MA24-6N](#) [340FS002N22-6S20C](#)
[340FS002NF24-3F12A](#) [340FS002M14-4C](#) [340FS002M22-4C](#) [340FS002M10-4C](#) [340FS002NF14-6C](#) [340FS002N24-](#)
[6S20C](#) [340FS002M14-2S6A](#) [340FS002NF10-6C](#) [340FS002B22-8C](#) [340FS002NF24-3N](#) [340FS002B12-8C](#)
[340FS002B14-8C](#) [340FS002B20-8C](#) [340FS002M16-5N](#) [340FS002B18-4F12B](#) [340FS002NF14-8C](#) [340FS002NF14-](#)
[10C](#) [340FS002M14-4N-186F](#) [340FS002B10-3N](#) [340FS002NF10-3E7A14H](#) [340FS002NF12-5N](#) [340FS002N16-](#)
[6S20C](#) [340FS002M18-2C](#) [340FS002B24-8C](#) [340FS002M22-2G6E](#) [340FS002N22-6H20C](#) [340FS002B18-5F6B](#)
[340FS002NF24-2U8A](#) [340FS002N16-6H20C](#) [340FS002B16-5F12B](#) [340FS002M22-5N-186F](#) [340FS002M18-5N](#)
[340FS002NF10-2C](#) [340FS002NF16-2E12D](#) [340FS002NF18-3H8B-324](#) [340FS002B18-3F6A](#) [340FS002G24-7H8B](#)
[340FS002NF10-3E7A-14H](#) [340FS002M10-5N-186F](#)