



FEATURES

- RoHS compliant
- 0.47mH to 4.7mH
- Surface mount
- Up to 0.7A l_{oc}
- UL94 V-0 package materials
- Compact size
- J-STD-020C reflow
- Backward compatible with Sn/Pb soldering systems

PRODUCT OVERVIEW

The 5000 series is a range of surface-mount common mode chokes designed to attenuate up to 100MHz common mode noise where line filtering is required, such as low current switching power supplies and telecom applications.

SELECTION GUIDE

Order Code	Inductance, L ¹ (0.1V @ 100kHz)		Leakage Inductance, L _L (0.1V @ 100kHz)		DC Resistance, R ¹	Current Rating ³ (series connection)	Isolation ⁴
	Nom.	Tolerance	Typ.	Max.	Max.		
	mH	%	μH	μH	Ω	mA _{DC}	V _{rms}
50474C	0.47	+50%/-30%	0.2	0.40	0.30	700	500
50105C	1.00		0.2	0.40	0.30	700	
50225C	2.20		0.25	0.60	0.40	500	
50475C	4.70		0.4	0.80	0.70	400	

ABSOLUTE MAXIMUM RATINGS

Operating free air temperature range	-40°C to 85°C
Storage temperature range	-40°C to 125°C

SOLDERING INFORMATION²

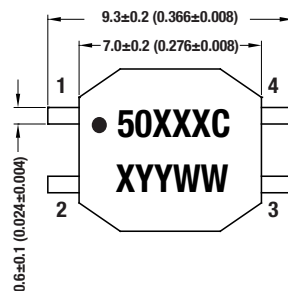
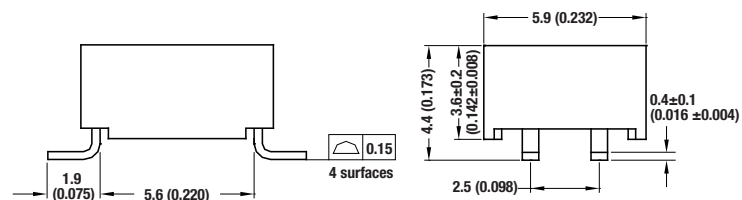
Peak reflow temperature	250°C
Pin finish	Pure tin dip
Moisture sensitivity level ⁵	1

All specifications typical at T_A=25°C

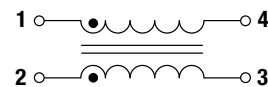
- 1 Measured between pins 1-4 or 2-3.
- 2 For further information, please visit www.murata-ps.com/rohs
- 3 The maximum DC current occurs when its temperature rise reaches 40°C.
- 4 Flash tested for 1 second.
- 5 Representative samples of the product were subjected to the conditioning described in IPC/JEDEC J-STD-020C and passed electrical testing, package coplanarity and visual inspection which revealed no external cracks or changes in package body flatness.

PACKAGE SPECIFICATIONS

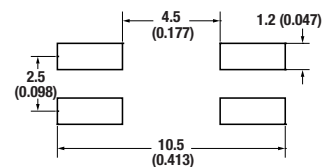
Mechanical Dimensions



Schematic



Recommended Footprint Details

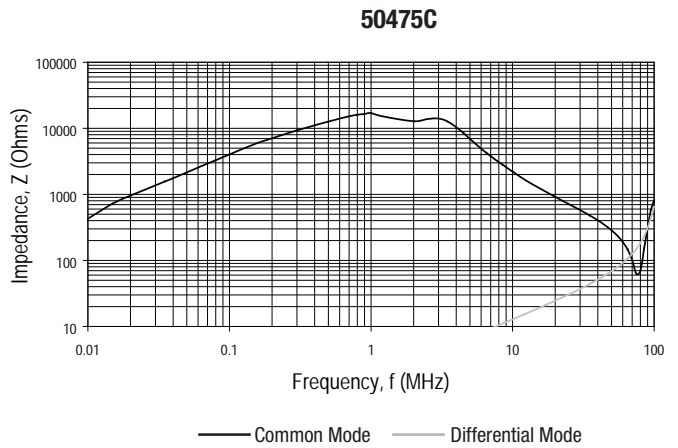
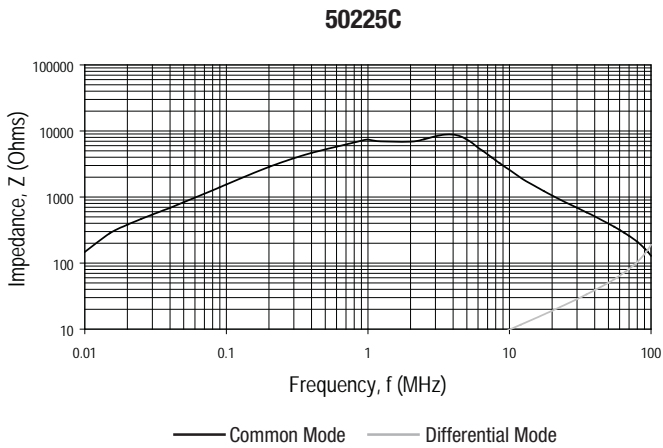
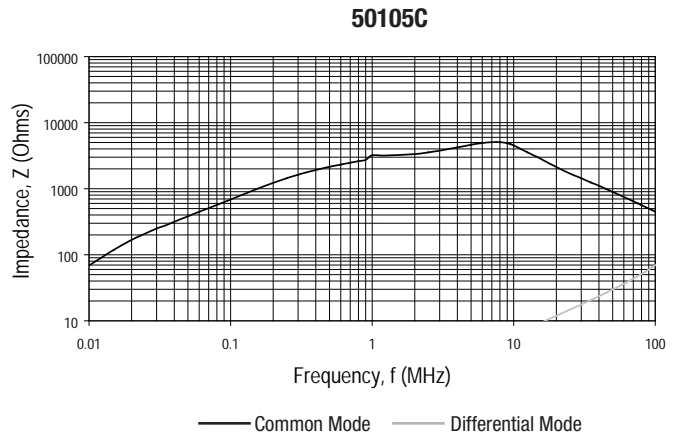
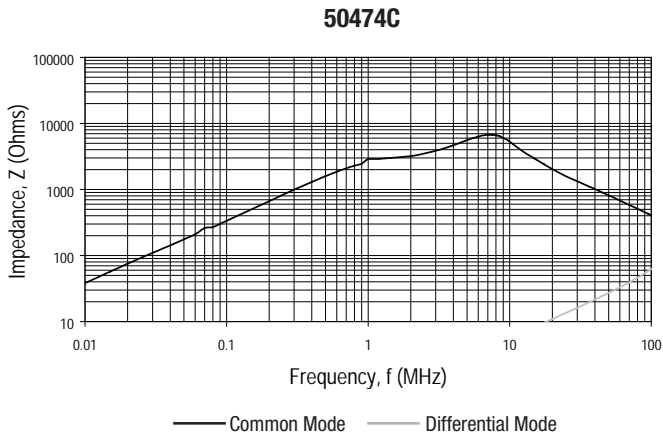


Unless otherwise stated, all dimensions in mm (inches) ±0.25 (0.010).
Package weight 0.30g Typ.



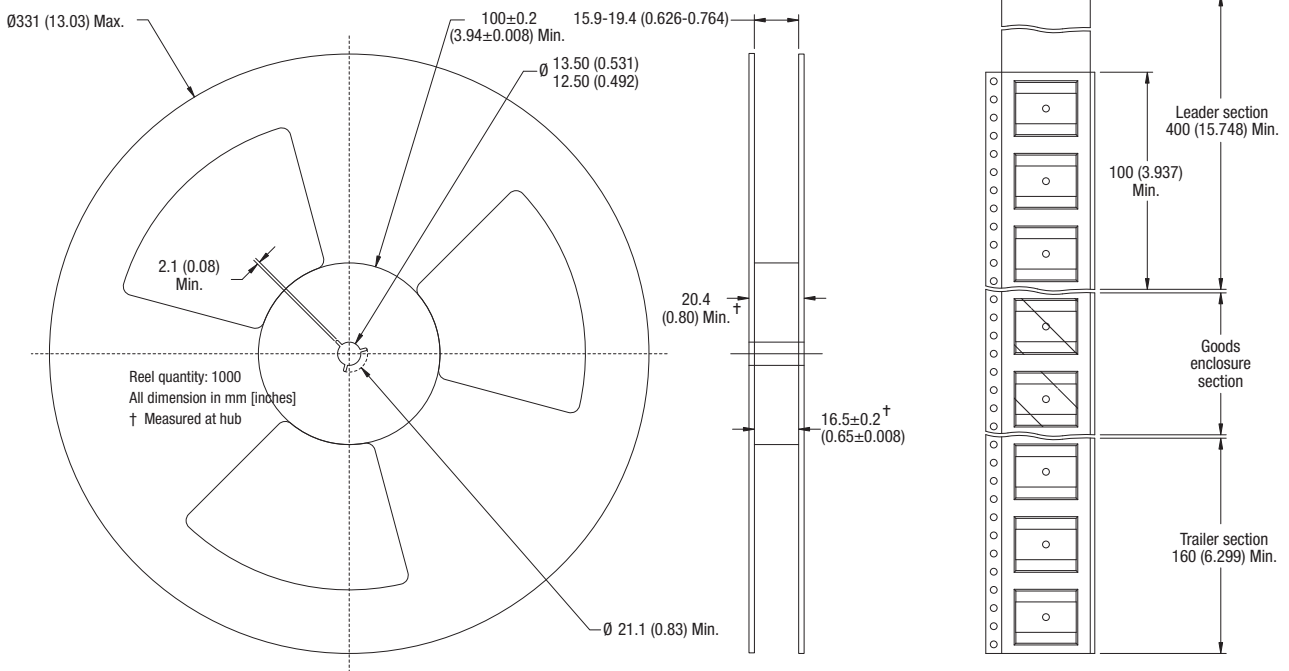
For full details go to www.murata-ps.com/rohs

IMPEDANCE IN COMMON MODE AND DIFFERENTIAL MODE VS FREQUENCY

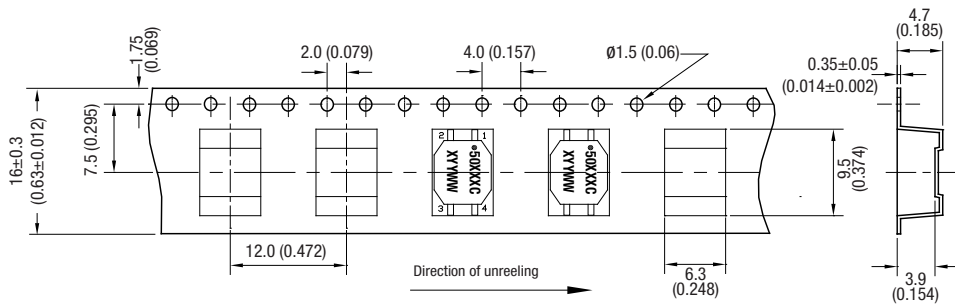


PACKAGE SPECIFICATIONS

Mechanical Dimensions



Tape Outline Dimensions



Unless otherwise stated, all dimensions in mm (inches) \pm 0.1 (0.004).

DISCLAIMER

Unless otherwise stated in the datasheet, all products are designed for standard commercial and industrial applications and NOT for safety-critical and/or life-critical applications.

Particularly for safety-critical and/or life-critical applications, i.e. applications that may directly endanger or cause the loss of life, inflict bodily harm and/or loss or severe damage to equipment/property, and severely harm the environment, a prior explicit written approval from Murata is strictly required. Any use of Murata standard products for any safety-critical, life-critical or any related applications without any prior explicit written approval from Murata shall be deemed unauthorised use.

These applications include but are not limited to:

- Aircraft equipment
- Aerospace equipment
- Undersea equipment
- Power plant control equipment
- Medical equipment
- Transportation equipment (automobiles, trains, ships, etc.)
- Traffic signal equipment
- Disaster prevention / crime prevention equipment
- Data Processing equipment

Murata makes no express or implied warranty, representation, or guarantee of suitability, fitness for any particular use/purpose and/or compatibility with any application or device of the buyer, nor does Murata assume any liability whatsoever arising out of unauthorised use of any Murata product for the application of the buyer. The suitability, fitness for any particular use/purpose and/or compatibility of Murata product with any application or device of the buyer remain to be the responsibility and liability of the buyer.

Buyer represents and agrees that it has all the necessary expertise to create and implement safeguards that anticipate dangerous consequences of failures, monitor failures and their consequences, lessen the likelihood of failures that might cause harm, and take appropriate remedial actions. Buyer will fully indemnify and hold Murata, its affiliated companies, and its representatives harmless against any damages arising out of unauthorised use of any Murata products in any safety-critical and/or life-critical applications.

Remark: Murata in this section refers to Murata Manufacturing Company and its affiliated companies worldwide including, but not limited to, Murata Power Solutions.



This product is subject to the following [operating requirements](https://www.murata.com/en-eu/products/power/requirements) and the [Life and Safety Critical Application Sales Policy](https://www.murata.com/en-eu/products/power/requirements):

Refer to: <https://www.murata.com/en-eu/products/power/requirements>

Murata Power Solutions (Milton Keynes) Ltd. makes no representation that the use of its products in the circuits described herein, or the use of other technical information contained herein, will not infringe upon existing or future patent rights. The descriptions contained herein do not imply the granting of licenses to make, use, or sell equipment constructed in accordance therewith. Specifications are subject to change without notice.
© 2021 Murata Power Solutions (Milton Keynes) Ltd