



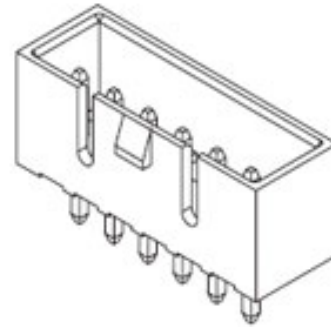
**Part Number :** [353130260](#)

**Product Description :** 3.96mm Pitch Header, Vertical, Shrouded, with Positive Lock, 2 Circuits, PA Polyamide (Nylon) 6/6, Glass-filled, Natural

**Series Number :** 35313

**Status :** Active

**Product Category :** PCB Headers and Receptacles



---

## Documents & Resources

### Drawings

[Drawing 353130260\\_sd.pdf](#)

### 3D Models and Design Files

[3D Model 353130260\\_stp.zip](#)

### Specifications


[Packaging Specification PK-35313-001-001.pdf](#)

[Product Specification PS-35156-004-001.pdf](#)

---

## Product Environment Compliance

### Compliance

GADSL/IMDS	Compliant with Exemption 44
China RoHS	
EU ELV	Not Relevant
Low-Halogen Status	Not Low-Halogen per IEC 61249-2-21
REACH SVHC	Not Contained per D(2023)3788-DC (14 Jun 2023)
EU RoHS	Compliant per EU 2015/863

### [Multiple Part Product Compliance Statements](#)

- Eu RoHS
- REACH SVHC
- Low-Halogen

### [Multiple Part Industry Compliance Documents](#)

- IPC 1752A Class C
- IPC 1752A Class D
- Molex Product Compliance Declaration
- IEC-62474
- chemSHERPA (xml)

EU RoHS Certificate of Compliance

---

## Part Details

### General

Status	Active
Category	PCB Headers and Receptacles
Series	35313
Description	3.96mm Pitch Header, Vertical, Shrouded, with Positive Lock, 2 Circuits, PA Polyamide (Nylon) 6/6, Glass-filled, Natural
Application	Power, Wire-to-Board
Component Type	PCB Header
Product Name	N/A
UPC	822348800568

### Agency

CSA	LR19980
UL	E29179

### Electrical

Current - Maximum per Contact	7.0A
Voltage - Maximum	250V

### Physical

Breakaway	No
Circuits (Loaded)	2
Circuits (maximum)	2
Color - Resin	Natural
Durability (mating cycles max)	30
First Mate / Last Break	No

Flammability	94V-0
Glow-Wire Capable	No
Guide to Mating Part	No
Keying to Mating Part	None
Lock to Mating Part	Yes
Material - Plating Mating	Tin
Material - Plating Termination	Tin
Material - Resin	Nylon
Net Weight	0.693/g
Number of Rows	1
Orientation	Vertical
Packaging Type	Bag
PC Tail Length	3.40mm
PCB Locator	No
PCB Retention	None
PCB Thickness - Recommended	1.60mm
Pitch - Mating Interface	3.96mm
Pitch - Termination Interface	3.96mm
Plating min - Mating	5.080µm
Plating min - Termination	5.080µm
Polarized to Mating Part	Yes
Polarized to PCB	No
Shrouded	Partial
Stackable	No
Temperature Range - Operating	-40° to +105°C
Termination Interface Style	Through Hole

---

## Mates With / Use With

### Mates with Part(s)

Description	Part Number
3.96mm Pitch Wire-to-Board Housings	<u>35156</u>

---

---

This document was generated on Feb 03, 2024