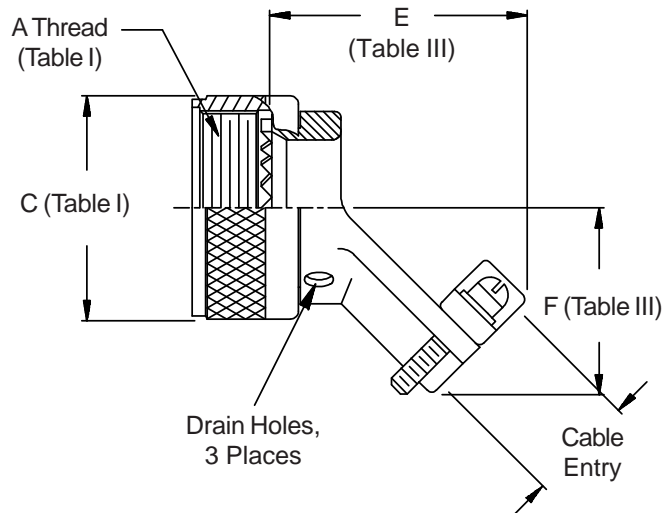
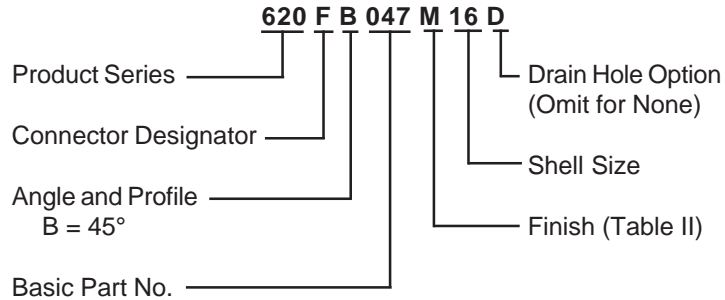


**CONNECTOR  
DESIGNATOR  
A-F-H-L-S  
ROTATABLE  
COUPLING**

**TABLE III: CABLE ENTRY**

Shell Size	E Max	F Max	Cable Entry	
			Closed	Open
08/09	1.450 (36.8)	.772 (19.6)	.125 (3.2)	.204 (5.2)
10/11	1.510 (38.4)	.810 (20.6)	.187 (4.7)	.286 (7.3)
12/13	1.610 (40.9)	.870 (22.1)	.291 (7.4)	.416 (10.6)
14/15	1.640 (41.7)	.930 (23.6)	.351 (8.9)	.476 (12.1)
16/17	1.760 (44.7)	.990 (25.1)	.501 (12.7)	.626 (15.9)
18/19	1.900 (48.3)	1.110 (28.2)	.518 (13.2)	.706 (17.9)
20/21	1.940 (49.3)	1.170 (29.7)	.581 (14.8)	.831 (21.1)
22/23	1.970 (50.0)	1.240 (31.5)	.644 (16.4)	.956 (24.3)
24/25	2.020 (51.3)	1.300 (33.0)	.706 (17.9)	1.081 (27.5)

See inside back cover  
fold-out or pages 13 and  
14 for Tables I and II.

1. Cable Entry is defined as the accommodation entry for the wire bundle or cable. Dimensions are not intended for inspection criteria.
2. Metric dimensions (mm) are indicated in parentheses.