

A

**Attachable heatsink**

B

C

D

E

F

G

H

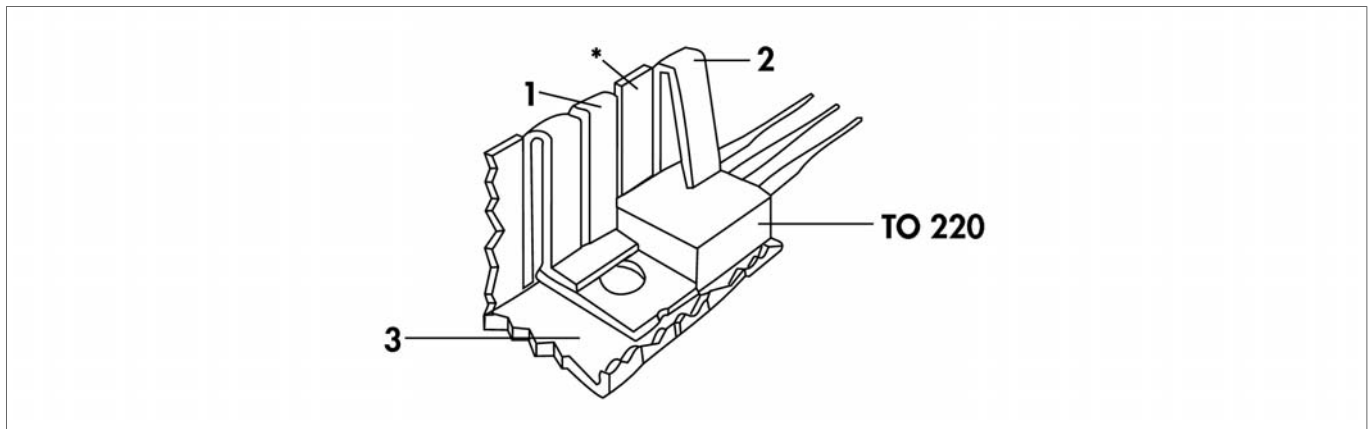
I

K

L


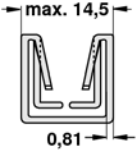
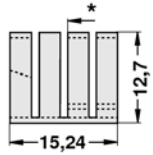
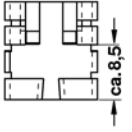

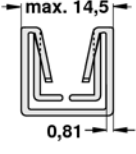
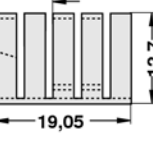
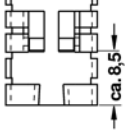

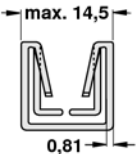

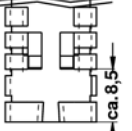
M

N



- narrow version with better thermal resistance
- max. 14.5 mm wide
- 3 different lengths for varied dissipation power
- takes less space than any other attachable heatsink
- simple assembly by pushing the heatsink onto the TO 220 housing
- the cooling fingers form spring clamps **(1+2)**, which pushes the TO 220 and its mounting flange onto the heatsink **(3)**
- optimum heat transfer due to the constant pressure on the entire contact surface of the TO 220 cases
- effective heat emission with horizontal and vertical mounting

without soldering lug

<b>art. no.</b>  <b>FK 242 SA 220 O</b>			<b>26 K/W</b>		
<b>art. no.</b>  <b>FK 237 SA 220 O</b>			<b>21 K/W</b>		
<b>art. no.</b>  <b>FK 240 SA 220 O</b>			<b>16 K/W</b>		

\* = touch in edge of transistor

**material:** aluminium  
**surface treatment:** black anodised

**C 13**
**Heatsinks for D PAK**  
**Heatsinks for transistors**  
**Silicone wafers**  
**Mica wafers**


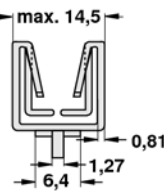
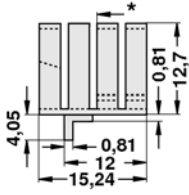
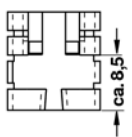

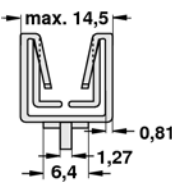
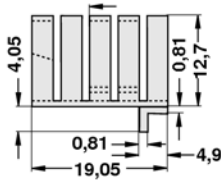
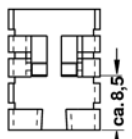

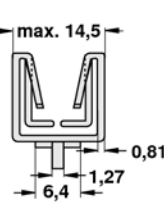
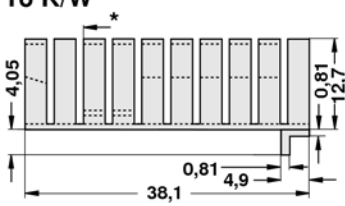
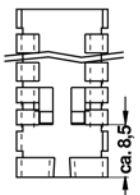
 → C 18  
 → C 4 - 9  
 → E 2 - 4  
 → E 11

**Technical introduction**  
**U-shaped heatsink**  
**Aluminium oxide wafers**  
**Kapton insulator washers**

 → A 2 - 7  
 → A 120 - 122  
 → E 9 - 10  
 → E 8

## Attachable heatsink

with tinned soldering lug for direct soldering onto circuit board, for horizontal installation


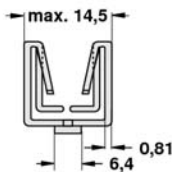
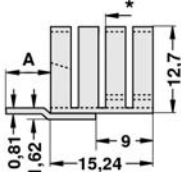
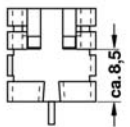

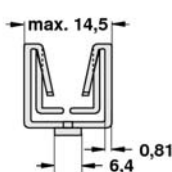
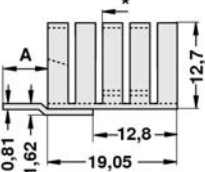
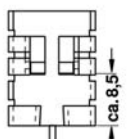

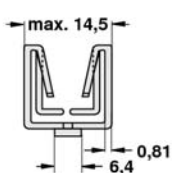
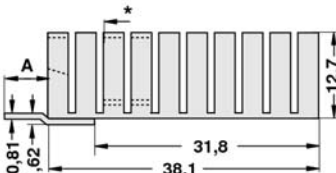
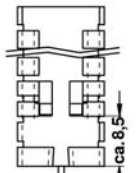
<b>art. no.</b>				
<b>FK 242 SA 220 H</b>		26 K/W		
<b>art. no.</b>				
<b>FK 237 SA 220 H</b>		21 K/W		
<b>art. no.</b>				
<b>FK 240 SA 220 H</b>		16 K/W		

\* = touch in edge of transistor

**material:** aluminium

**surface treatment:** black anodised

with tinned soldering lug for direct soldering onto circuit board, for vertical installation

					
<b>art. no.</b>	A [mm]	R <sub>th</sub> [K/W]	<b>art. no.</b>	A [mm]	R <sub>th</sub> [K/W]
<b>FK 242 SA 220 V</b>	6.35	26	<b>FK 242 SA 220 VL</b>	9.53	26
					
<b>art. no.</b>	A [mm]	R <sub>th</sub> [K/W]	<b>art. no.</b>	A [mm]	R <sub>th</sub> [K/W]
<b>FK 237 SA 220 V</b>	6.35	21	<b>FK 237 SA 220 VL</b>	9.53	21
					
<b>art. no.</b>	A [mm]	R <sub>th</sub> [K/W]	<b>art. no.</b>	A [mm]	R <sub>th</sub> [K/W]
<b>FK 240 SA 220 V</b>	6.35	16	<b>FK 240 SA 220 VL</b>	9.53	16

\* = touch in edge of transistor

**material:** aluminium

**surface treatment:** black anodised

Heatsinks for D PAK  
Heatsinks for transistors  
Silicone wafers  
Mica wafers

→ C 18  
→ C 4 - 9  
→ E 2 - 4  
→ E 11

technical annotations  
U-shaped heatsink  
Kapton insulator washers

→ A 2 - 7  
→ A 120 - 122  
→ E 8