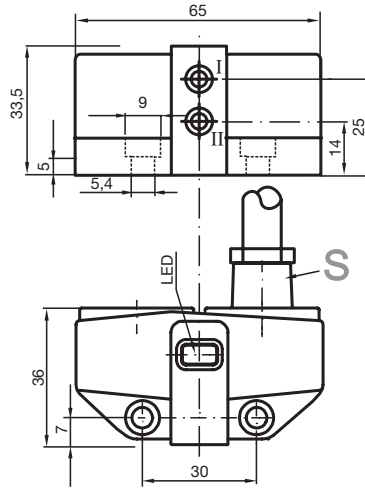


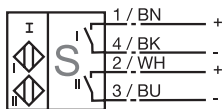
Direct mounting on standard actuators
 Compact and stable housing
 Fixed setting
 Satisfies machinery directive



Switching element function	PNP	Dual Make function
Rated operating distance s_n	3 mm	
Installation	embeddable	
Assured operating distance s_a	0 ... 2,43 mm	
Reduction factor r_{AI}	0,5	
Reduction factor r_{Cu}	0,4	
Reduction factor r_{V2A}	1	
Reduction factor r_{St37}	1,1	
Operating voltage U_B	6 ... 60 V	
Switching frequency f	0 ... 500 Hz	
Hysteresis H	typ. 5 %	
Reverse polarity protection	tolerant	
Short circuit protection	no	
Voltage drop U_d	≤ 6 V	
Operating current I_L	4 ... 100 mA	
Off-state current I_r	0 ... 1 mA typ. 0,7 mA	
Indication of the switching state	LED, yellow	
Tightening torque, fixing screws	0,4 Nm	
EMC in accordance with	EN 60947-5-2	
Standards	EN 60947-5-2	
Ambient temperature	-25 ... 70 °C (248 ... 343 K)	
Connection (system side)	5 m, PVC cable	
Core cross-section (system side)	0.75 mm ²	
Housing material	PBT	
Sensing face	PBT	
Protection degree	IP67	

Connection_type:

Z8-K



086527_ENG.xml

2003-03-21