

# PACT MCR-V1-21-44-150-5A-1 - Current transformer



2277035

<https://www.phoenixcontact.com/us/products/2277035>

Please be informed that the data shown in this PDF document is generated from our Online Catalog. Please find the complete data in the user documentation. Our General Terms of Use for Downloads are valid.



Bus-bar current transformer, 150 A AC primary current; 5 A AC secondary current; accuracy class 1; 5 VA rated power

## Commercial Data

|                                      |                     |
|--------------------------------------|---------------------|
| Item number                          | 2277035             |
| Packing unit                         | 1 pc                |
| Minimum order quantity               | 1 pc                |
| Sales Key                            | C444                |
| Product Key                          | CK4A11              |
| Catalog Page                         | Page 211 (C-5-2019) |
| GTIN                                 | 4046356305112       |
| Weight per Piece (including packing) | 213.5 g             |
| Weight per Piece (excluding packing) | 188.54 g            |
| Customs tariff number                | 85043129            |
| Country of origin                    | DE                  |

2277035

<https://www.phoenixcontact.com/us/products/2277035>

## Technical Data

### Product properties

|              |                     |
|--------------|---------------------|
| Product type | Current transformer |
|--------------|---------------------|

### Electrical properties

|                          |                                |
|--------------------------|--------------------------------|
| Rated insulation voltage | 1 kV (Phase/neutral conductor) |
|--------------------------|--------------------------------|

#### General

|                   |                             |
|-------------------|-----------------------------|
| Can be calibrated | no                          |
| Converter type    | Bus-bar current transformer |

### Input data

#### Current transformers

|                                  |                                        |
|----------------------------------|----------------------------------------|
| Rated power                      | 5 VA                                   |
| Thermal rated short-time current | $I_{th} = 60 * I_n$                    |
| Thermal rated continuous current | $I_d = 1.2 * I_n$                      |
| Rated surge current              | $I_{dyn} = 2.5 * I_{th}$               |
| Rated frequency $f_n$            | 50 Hz                                  |
|                                  | 60 Hz                                  |
| Primary rated current $I_{pn}$   | 0 A AC ... 150 A AC                    |
| Primary rated current range      | 1 A AC ... 4000 A AC (depends on type) |
| Can be calibrated                | no                                     |
| Converter type                   | Bus-bar current transformer            |

### Output data

#### Signal

|                                  |                |
|----------------------------------|----------------|
| Designation                      | Current output |
| Secondary rated current $I_{sn}$ | 5 A AC         |
| Surge current limitation factor  | FS 5           |
| Accuracy class                   | 1              |

### Connection data

|                                  |                                                                    |
|----------------------------------|--------------------------------------------------------------------|
| Connection method                | Screw connection                                                   |
| Conductor cross section flexible | 2x 2.5 mm <sup>2</sup> ... 4 mm <sup>2</sup> (Secondary terminals) |

### Dimensions

#### Item dimensions

|        |       |
|--------|-------|
| Width  | 30 mm |
| Height | 66 mm |
| Depth  | 44 mm |

#### Item dimensions with alternative mounting

|  |  |
|--|--|
|  |  |
|--|--|

# PACT MCR-V1-21-44-150-5A-1 - Current transformer



2277035

<https://www.phoenixcontact.com/us/products/2277035>

|        |       |
|--------|-------|
| Width  | 44 mm |
| Height | 66 mm |
| Depth  | 30 mm |

## Circular conductor

|          |       |
|----------|-------|
| Diameter | 21 mm |
|----------|-------|

## Material specifications

|                  |        |
|------------------|--------|
| Housing material | PA 6.6 |
|------------------|--------|

## Environmental and real-life conditions

### Ambient conditions

|                                         |                                  |
|-----------------------------------------|----------------------------------|
| Ambient temperature (operation)         | -25 °C ... 40 °C                 |
| Ambient temperature (storage/transport) | -25 °C ... 40 °C                 |
| Altitude                                | ≤ 1000 m                         |
| Permissible humidity (operation)        | Use only indoors, non-condensing |

## Approval data

### CE

|             |              |
|-------------|--------------|
| Certificate | CE-compliant |
|-------------|--------------|

### UKCA

|             |                |
|-------------|----------------|
| Certificate | UKCA-compliant |
|-------------|----------------|

### UL, USA/Canada

|                |               |
|----------------|---------------|
| Identification | XODW8.E323953 |
|----------------|---------------|

## Standards and regulations

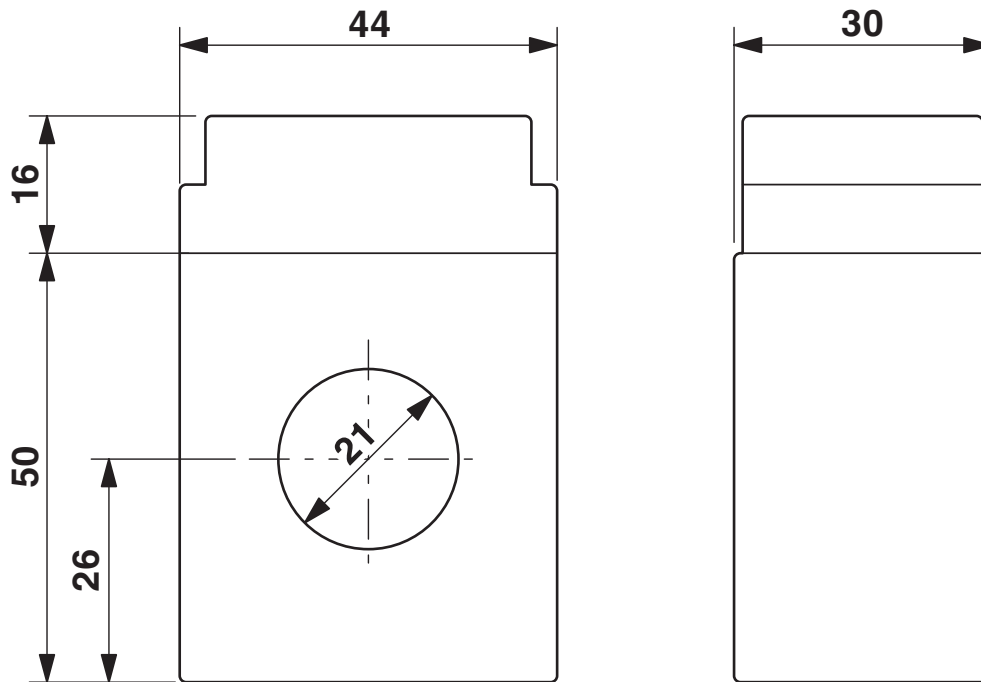
|                       |          |
|-----------------------|----------|
| Standards/regulations | EN 61869 |
|-----------------------|----------|

## Mounting

|               |                   |
|---------------|-------------------|
| Mounting type | DIN rail mounting |
|---------------|-------------------|

Drawings

Dimensional drawing



# PACT MCR-V1-21-44-150-5A-1 - Current transformer



2277035

<https://www.phoenixcontact.com/us/products/2277035>

## Approvals



**EAC**

Approval ID: RU\*DE\*08.B.01187/19

# PACT MCR-V1-21-44-150-5A-1 - Current transformer



2277035

<https://www.phoenixcontact.com/us/products/2277035>

## Classifications

### ECLASS

|               |          |
|---------------|----------|
| ECLASS-9.0    | 27210902 |
| ECLASS-10.0.1 | 27210902 |
| ECLASS-11.0   | 27210902 |
| ECLASS-12.0   | 27210902 |

### ETIM

|          |          |
|----------|----------|
| ETIM 8.0 | EC002048 |
|----------|----------|

### UNSPSC

|             |          |
|-------------|----------|
| UNSPSC 21.0 | 39121000 |
|-------------|----------|

# PACT MCR-V1-21-44-150-5A-1 - Current transformer



2277035

<https://www.phoenixcontact.com/us/products/2277035>

## Environmental Product Compliance

|            |                                                                                                                                                                |
|------------|----------------------------------------------------------------------------------------------------------------------------------------------------------------|
| China RoHS | Environmentally Friendly Use Period = 50 years<br>For information on hazardous substances, refer to the manufacturer's declaration available under "Downloads" |
|------------|----------------------------------------------------------------------------------------------------------------------------------------------------------------|

Phoenix Contact 2023 © - all rights reserved  
<https://www.phoenixcontact.com>

Phoenix Contact USA  
586 Fulling Mill Road  
Middletown, PA 17057, United States  
(+717) 944-1300  
[info@phoenixcon.com](mailto:info@phoenixcon.com)