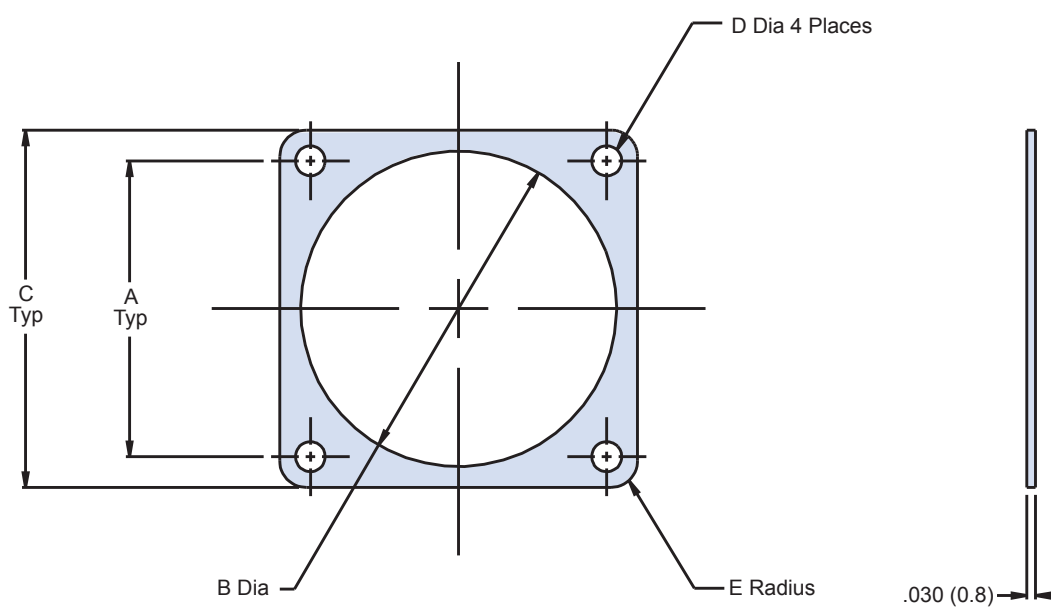
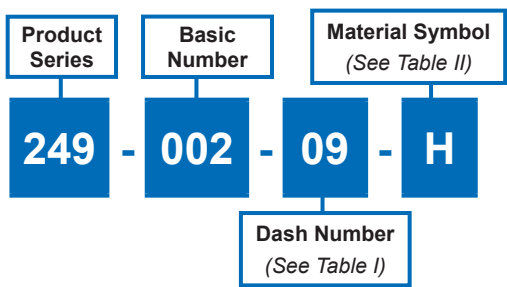




**249-002**  
**Conductive Gasket**  
**to Fit MIL-DTL-38999 Series III**  
**Flange Mount Receptacle Connector**



**H**

- NOTES:**
1. Identified by bag and tag in suitable quantities.
  2. Metric dimensions (mm) are indicated in parentheses.

**249-002**  
**Conductive Gasket**  
**to Fit MIL-DTL-38999 Series III**  
**Flange Mount Receptacle Connector**



**TABLE I**

Dash Number	A ± .005	Ø B ± .007	C ± .008	Ø D ± .005	E Radius ± .015
-09	.719	.687	.937	.125	.105
-11	.812	.772	1.031	.125	.105
-13	.906	.937	1.125	.125	.105
-15	.969	1.063	1.250	.125	.135
-17	1.062	1.187	1.343	.125	.135
-19	1.156	1.312	1.467	.125	.135
-21	1.250	1.437	1.652	.125	.135
-23	1.375	1.562	1.703	.152	.135
-25	1.500	1.600	1.812	.152	.135

**TABLE II**

Designator	Material
C	Flourosilicone Binder with Passivated Silver Plated Aluminum Particles (CHO-Seal in 1298 or Equivalent)
H	Silicone Binder with Silver Plated Copper Particles (CHO-Seal 1215 or Equivalent)

# Mouser Electronics

Authorized Distributor

Click to View Pricing, Inventory, Delivery & Lifecycle Information:

[Glenair:](#)

[249-002-13-C](#) [249-002-19-C](#) [249-002-09-C](#) [249-002-09-H](#) [249-002-17-H](#) [249-002-21-C](#) [249-002-11-C](#)