

## DCV01 Series

For most current data sheet and other product information, visit [www.burr-brown.com](http://www.burr-brown.com)

# Miniature, 1W, 1500Vrms Isolated UNREGULATED DC/DC CONVERTERS

## FEATURES

- UP TO 85% EFFICIENCY
- THERMAL PROTECTION
- DEVICE-TO-DEVICE SYNCHRONIZATION
- SHORT-CIRCUIT PROTECTION
- EN55022 CLASS B EMC PERFORMANCE
- UL1950 RECOGNIZED COMPONENT
- JEDEC PDIP-14 AND GULL-WING PACKAGES

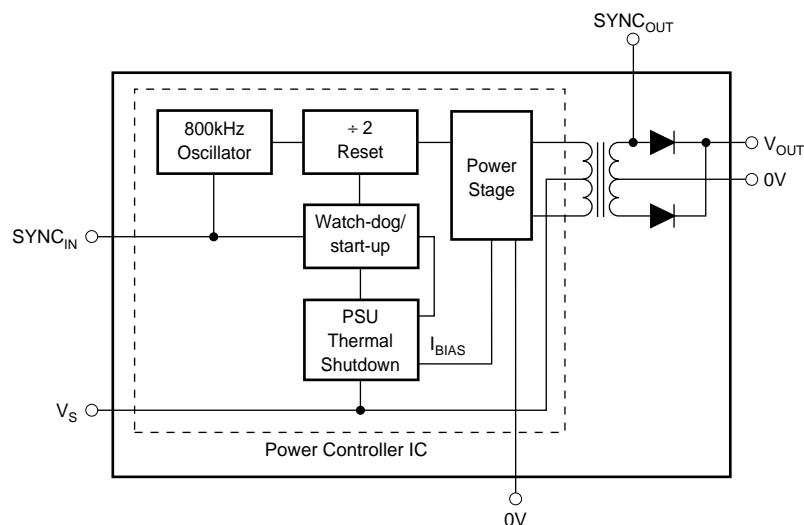
## APPLICATIONS

- INDUSTRIAL CONTROL AND INSTRUMENTATION
- POINT-OF-USE POWER CONVERSION
- GROUND LOOP ELIMINATION
- DATA ACQUISITION
- TEST EQUIPMENT
- SECONDARY ISOLATION CIRCUITS

## DESCRIPTION

The DCV01 series is a family of 1W, 1500Vrms isolated, unregulated DC/DC converters. Requiring a minimum of external components and including on-chip device protection, the DCV01 series provides extra features such as output disable and synchronization of switching frequencies.

The use of a highly integrated package design results in highly reliable products with a power density of 40W/in<sup>3</sup> (2.4W/cm<sup>3</sup>). This combination of features, high isolation, and small size makes the DCV01 suitable for a wide range of applications.



International Airport Industrial Park • Mailing Address: PO Box 11400, Tucson, AZ 85734 • Street Address: 6730 S. Tucson Blvd., Tucson, AZ 85706 • Tel: (520) 746-1111  
Twx: 910-952-1111 • Internet: <http://www.burr-brown.com/> • Cable: BBRCORP • Telex: 066-6491 • FAX: (520) 889-1510 • Immediate Product Info: (800) 548-6132

# SPECIFICATIONS

At  $T_A = +25^\circ\text{C}$ , unless otherwise specified.

| PARAMETER                                                                                                                                                                                     | CONDITIONS                                                                                     | DCV01 SERIES |                              |          | UNITS                                            |
|-----------------------------------------------------------------------------------------------------------------------------------------------------------------------------------------------|------------------------------------------------------------------------------------------------|--------------|------------------------------|----------|--------------------------------------------------|
|                                                                                                                                                                                               |                                                                                                | MIN          | TYP                          | MAX      |                                                  |
| <b>OUTPUT</b><br>Power<br>Ripple<br>Voltage vs Temp                                                                                                                                           | 100% Full Load<br>O/P Capacitor = $1\mu\text{F}$ , 50% Load<br>Room to Cold<br>Room to Hot     |              | 0.97<br>20<br>0.046<br>0.016 |          | W<br>mVp-p<br>%/°C<br>%/°C                       |
| <b>INPUT</b><br>Voltage Range on $V_S$                                                                                                                                                        |                                                                                                | -10          |                              | 10       | %                                                |
| <b>ISOLATION</b><br>Voltage                                                                                                                                                                   | 1s Flash Test<br>60s Test, UL1950 <sup>(1)</sup>                                               | 1.5<br>1.5   |                              |          | kVrms<br>kVrms                                   |
| <b>LINE</b><br>Regulation                                                                                                                                                                     |                                                                                                |              | 1                            |          | %/1% of $V_S$                                    |
| <b>SWITCHING/SYNCHRONIZATION</b><br>Oscillator Frequency ( $f_{\text{OSC}}$ )<br>Sync Input Low<br>Sync Input Current<br>Disable Time<br>Capacitance Loading on $\text{SYNC}_{\text{IN}}$ Pin | Switching Frequency = $f_{\text{OSC}}/2$<br><br>$V_{\text{SYNC}} = +2\text{V}$<br><br>External | 0            | 800<br>75<br>2               | 0.4<br>3 | kHz<br>V<br>$\mu\text{A}$<br>$\mu\text{s}$<br>pF |
| <b>RELIABILITY</b><br>Demonstrated                                                                                                                                                            | $T_A = +55^\circ\text{C}$                                                                      |              |                              | 75       | FITS                                             |
| <b>THERMAL SHUTDOWN</b><br>IC Temperature at Shutdown<br>Shutdown Current                                                                                                                     |                                                                                                |              | 150<br>3                     |          | °C<br>mA                                         |
| <b>TEMPERATURE RANGE</b><br>Operating                                                                                                                                                         |                                                                                                | -40          |                              | +85      | °C                                               |

| PRODUCT                   | INPUT VOLTAGE (V) |     |      | OUTPUT VOLTAGE (V)      |          |             | LOAD REGULATION (%)             |     | NO LOAD CURRENT (mA) | EFFICIENCY (%) | BARRIER CAPACITANCE (pF)          | LEAKAGE CURRENT ( $\mu\text{A}$ ) |
|---------------------------|-------------------|-----|------|-------------------------|----------|-------------|---------------------------------|-----|----------------------|----------------|-----------------------------------|-----------------------------------|
|                           | $V_S$             |     |      | $V_{\text{NOM}}$        |          |             | 10% TO 100% LOAD <sup>(3)</sup> |     | $I_Q$                |                | $C_{\text{ISO}}$                  |                                   |
|                           |                   |     |      | 75% LOAD <sup>(2)</sup> |          |             |                                 |     | 0% LOAD              | 100% LOAD      | $V_{\text{ISO}} = 750\text{Vrms}$ | $V_{\text{ISO}} = 750\text{Vrms}$ |
|                           | MIN               | TYP | MAX  | MIN                     | TYP      | MAX         | TYP                             | MAX | TYP                  | TYP            | TYP                               | TYP                               |
| DCV010505                 | 4.5               | 5   | 5.5  | 4.75                    | 5        | 5.25        | 23                              | 31  | 20                   | 78             | 3.6                               | 0.9                               |
| DCV010505D <sup>(4)</sup> | 4.5               | 5   | 5.5  | $\pm 4.75$              | $\pm 5$  | $\pm 5.25$  | 19                              | 32  | 23                   | 80             | 3.8                               | 0.9                               |
| DCV010512                 | 4.5               | 5   | 5.5  | 11.4                    | 12       | 12.6        | 23                              | 38  | 30                   | 85             | 5.1                               | 1.2                               |
| DCV010512D                | 4.5               | 5   | 5.5  | $\pm 11.4$              | $\pm 12$ | $\pm 12.6$  | 19                              | 37  | 40                   | 82             | 4.0                               | 1.0                               |
| DCV010515                 | 4.5               | 5   | 5.5  | 14.25                   | 15       | 15.75       | 30                              | 42  | 34                   | 84             | 3.8                               | 0.9                               |
| DCV010515D                | 4.5               | 5   | 5.5  | $\pm 14.25$             | $\pm 15$ | $\pm 15.75$ | 27                              | 41  | 42                   | 85             | 4.7                               | 1.1                               |
| DCV011512D <sup>(4)</sup> | 13.5              | 15  | 16.5 | $\pm 11.4$              | $\pm 12$ | $\pm 12.6$  | 11                              | 39  | 19                   | 78             | 4.2                               | 1.0                               |
| DCV011515D <sup>(4)</sup> | 13.5              | 15  | 16.5 | $\pm 14.25$             | $\pm 15$ | $\pm 15.75$ | 12                              | 39  | 20                   | 79             | 4.2                               | 1.0                               |
| DCV012405 <sup>(4)</sup>  | 21.6              | 24  | 26.4 | 4.75                    | 5        | 5.25        | 13                              | 23  | 14                   | 77             | 3.8                               | 0.9                               |
| DCV012415D <sup>(4)</sup> | 21.6              | 24  | 26.4 | $\pm 14.25$             | $\pm 15$ | $\pm 15.75$ | 12                              | 35  | 17                   | 76             | 5.3                               | 1.3                               |

NOTES: (1) During UL1950 recognition tests only, UL File #E199929. (2) 100% Load Current =  $1\text{W}/V_{\text{NOM}}$  TYP. (3) Load regulation =  $(V_{\text{OUT}} \text{ at } 10\% - V_{\text{OUT}} \text{ at } 100\%) / V_{\text{OUT}} \text{ at } 75\%$ . (4) Scheduled availability Q4 2000.

The information provided herein is believed to be reliable; however, BURR-BROWN assumes no responsibility for inaccuracies or omissions. BURR-BROWN assumes no responsibility for the use of this information, and all use of such information shall be entirely at the user's own risk. Prices and specifications are subject to change without notice. No patent rights or licenses to any of the circuits described herein are implied or granted to any third party. BURR-BROWN does not authorize or warrant any BURR-BROWN product for use in life support devices and/or systems.

## ABSOLUTE MAXIMUM RATINGS

|                                         |                 |
|-----------------------------------------|-----------------|
| Input Voltage:                          |                 |
| 5V Input Models .....                   | 7V              |
| 15V Input Models .....                  | 18V             |
| 24V Input Models .....                  | 29V             |
| Storage Temperature .....               | -60°C to +125°C |
| Lead Temperature (soldering, 10s) ..... | 270°C           |

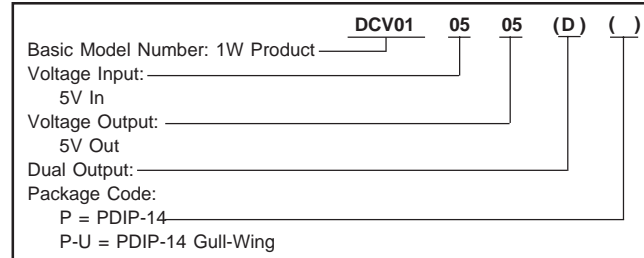


## ELECTROSTATIC DISCHARGE SENSITIVITY

This integrated circuit can be damaged by ESD. Burr-Brown recommends that all integrated circuits be handled with appropriate precautions. Failure to observe proper handling and installation procedures can cause damage.

ESD damage can range from subtle performance degradation to complete device failure. Precision integrated circuits may be more susceptible to damage because very small parametric changes could cause the device not to meet its published specifications.

## ORDERING INFORMATION

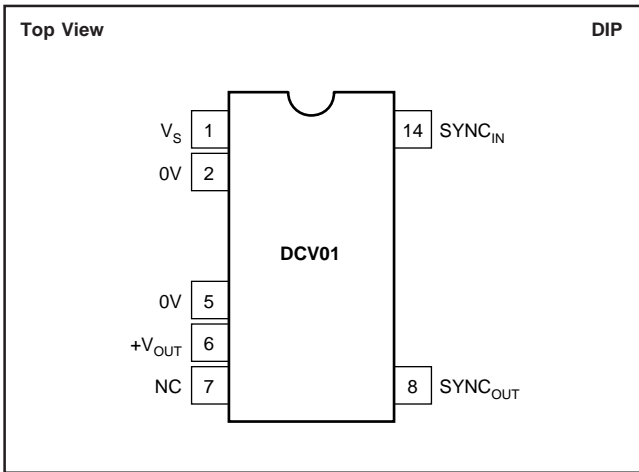


## PACKAGE/ORDERING INFORMATION

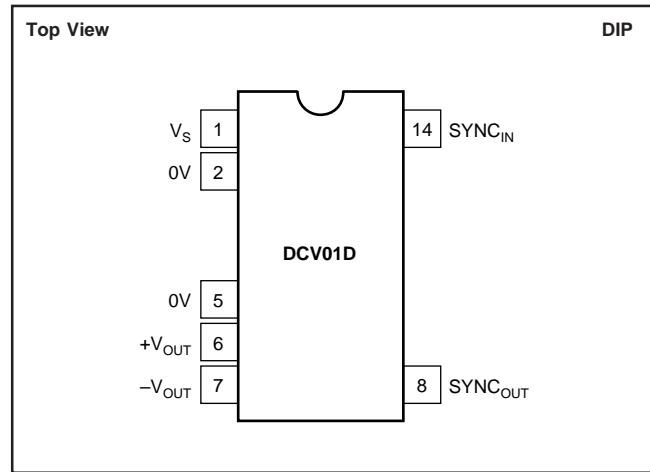
| PRODUCT                      | PACKAGE      | PACKAGE DRAWING NUMBER | SPECIFIED TEMPERATURE RANGE | PACKAGE MARKING | ORDERING NUMBER <sup>(1)</sup> | TRANSPORT MEDIA |
|------------------------------|--------------|------------------------|-----------------------------|-----------------|--------------------------------|-----------------|
| <b>Single</b>                |              |                        |                             |                 |                                |                 |
| DCV010505P                   | DIP-14       | 010-1                  | -40°C to +85°C              | DCV010505P      | DCV010505P                     | Rails           |
| DCV010505P-U                 | Gull-Wing-14 | 010-2                  | -40°C to +85°C              | DCV010505P-U    | DCV010505P-U/700               | Tape and Reel   |
| DCV010512P                   | DIP-14       | 010-1                  | -40°C to +85°C              | DCV010512P      | DCV010512P                     | Rails           |
| DCV010512P-U                 | Gull-Wing-14 | 010-2                  | -40°C to +85°C              | DCV010512P-U    | DCV010512P-U/700               | Tape and Reel   |
| DCV010515P                   | DIP-14       | 010-1                  | -40°C to +85°C              | DCV010515P      | DCV010515P                     | Rails           |
| DCV010515P-U                 | Gull-Wing-14 | 010-2                  | -40°C to +85°C              | DCV010515P-U    | DCV010515P-U/700               | Tape and Reel   |
| DCV012405P <sup>(2)</sup>    | DIP-14       | 010-1                  | -40°C to +85°C              | DCV012405P      | DCV012405P                     | Tape and Reel   |
| DCV012405P-U <sup>(2)</sup>  | Gull-Wing-14 | 010-2                  | -40°C to +85°C              | DCV012405P-U    | DCV012405P-U/700               | Rails           |
| <b>Dual</b>                  |              |                        |                             |                 |                                |                 |
| DCV010505DP <sup>(2)</sup>   | DIP-14       | 010-1                  | -40°C to +85°C              | DCV010505DP     | DCV010505DP                    | Rails           |
| DCV010505DP-U <sup>(2)</sup> | Gull-Wing-14 | 010-2                  | -40°C to +85°C              | DCV010505DP-U   | DCV010505DP-U/700              | Tape and Reel   |
| DCV010512DP                  | DIP-14       | 010-1                  | -40°C to +85°C              | DCV010512DP     | DCV010512DP                    | Rails           |
| DCV010512DP-U                | Gull-Wing-14 | 010-2                  | -40°C to +85°C              | DCV010512DP-U   | DCV010512DP-U/700              | Tape and Reel   |
| DCV010515DP                  | DIP-14       | 010-1                  | -40°C to +85°C              | DCV010515DP     | DCV010515DP                    | Rails           |
| DCV010515DP-U                | Gull-Wing-14 | 010-2                  | -40°C to +85°C              | DCV010515DP-U   | DCV010515DP-U/700              | Tape and Reel   |
| DCV011512DP <sup>(2)</sup>   | DIP-14       | 010-1                  | -40°C to +85°C              | DCV011512DP     | DCV011512DP                    | Rails           |
| DCV011512DP-U <sup>(2)</sup> | DIP-14       | 010-2                  | -40°C to +85°C              | DCV011512DP-U   | DCV011512DP-U/700              | Tape and Reel   |
| DCV011515DP <sup>(2)</sup>   | Gull-Wing-14 | 010-1                  | -40°C to +85°C              | DCV011515DP     | DCV011515DP                    | Rails           |
| DCV011515DP-U <sup>(2)</sup> | DIP-14       | 010-2                  | -40°C to +85°C              | DCV011515DP-U   | DCV011515DP-U/700              | Tape and Reel   |
| DCV012415DP <sup>(2)</sup>   | Gull-Wing-14 | 010-1                  | -40°C to +85°C              | DCV012415DP     | DCV012415DP                    | Rails           |
| DCV012415DP-U <sup>(2)</sup> | DIP-14       | 010-2                  | -40°C to +85°C              | DCV012415DP-U   | DCV012415DP-U/700              | Tape and Reel   |

NOTE: (1) Models with a slash (/) are available only in Tape and Reel in the quantities indicated (e.g., /700 indicates 700 devices per reel). Ordering 700 pieces of "DCP010505BP-U/700" will get a single 700-piece Tape and Reel. (2) Scheduled availability Q4 2000.

### PIN CONFIGURATION (Single-DIP and Gull-Wing)



### PIN CONFIGURATION (Dual-DIP and Gull-Wing)



### PIN DEFINITION (Single-DIP)

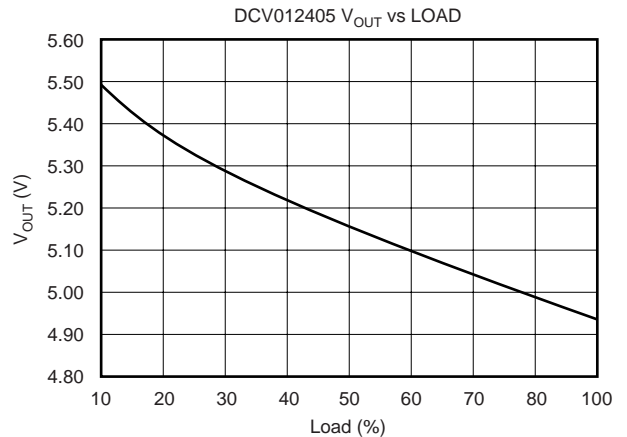
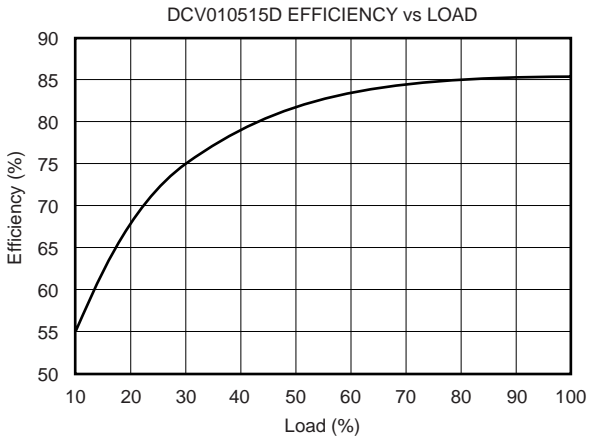
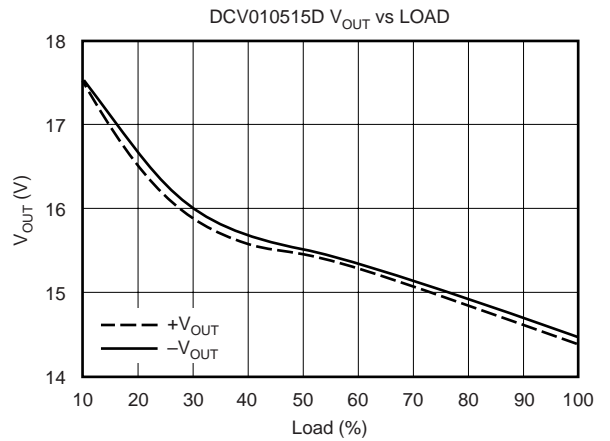
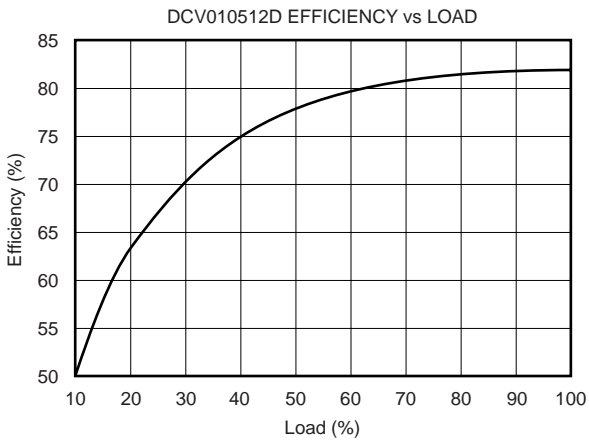
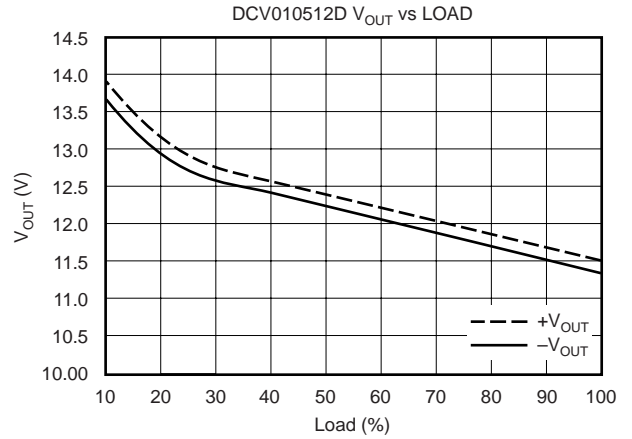
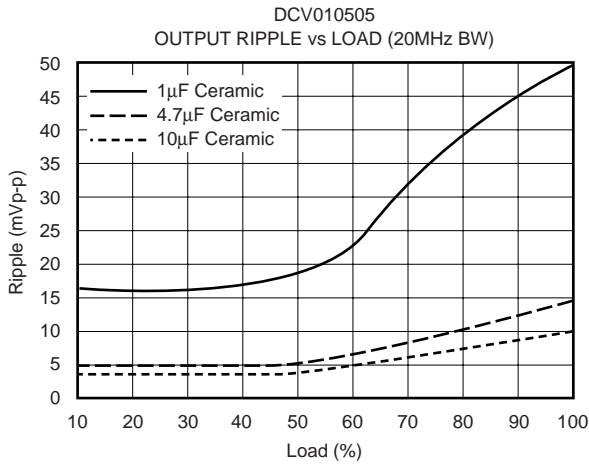
| PIN # | PIN NAME     | DESCRIPTION                    |
|-------|--------------|--------------------------------|
| 1     | $V_S$        | Voltage Input                  |
| 2     | 0V           | Input Side Common              |
| 5     | 0V           | Output Side Common             |
| 6     | $+V_{OUT}$   | +Voltage Out                   |
| 7     | NC           | Not Connected                  |
| 8     | $SYNC_{OUT}$ | Unrectified Transformer Output |
| 14    | $SYNC_{IN}$  | Synchronization Pin            |

### PIN DEFINITION (Dual-DIP)

| PIN # | PIN NAME     | DESCRIPTION                    |
|-------|--------------|--------------------------------|
| 1     | $V_S$        | Voltage Input                  |
| 2     | 0V           | Input Side Common              |
| 5     | 0V           | Output Side Common             |
| 6     | $+V_{OUT}$   | +Voltage Out                   |
| 7     | $-V_{OUT}$   | -Voltage Out                   |
| 8     | $SYNC_{OUT}$ | Unrectified Transformer Output |
| 14    | $SYNC_{IN}$  | Synchronization Pin            |

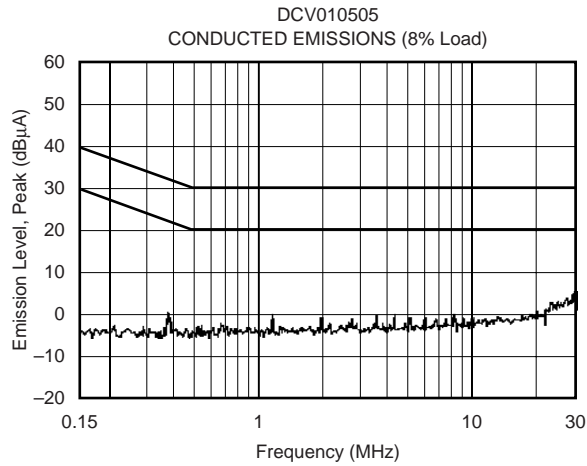
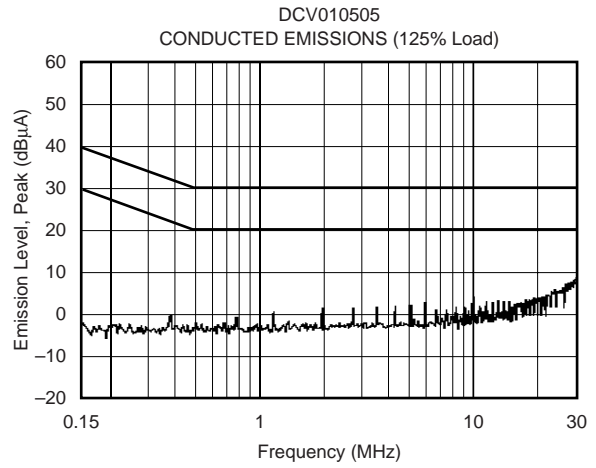
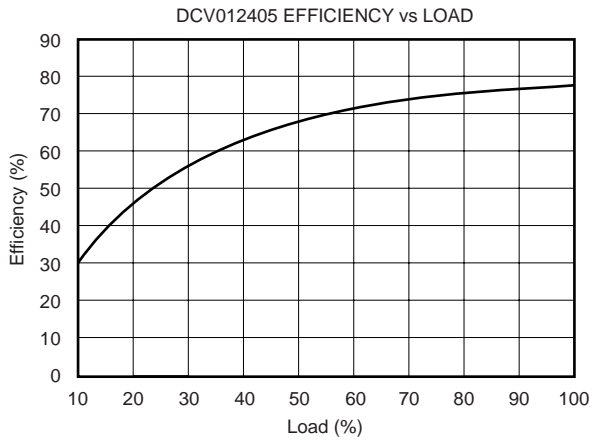
# TYPICAL PERFORMANCE CURVES

At  $T_A = +25^\circ\text{C}$ , unless otherwise noted.



# TYPICAL PERFORMANCE CURVES (Cont.)

At  $T_A = +25^\circ\text{C}$ , unless otherwise noted.



# FUNCTIONAL DESCRIPTION

## OVERVIEW

The DCV01 offers up to 1W of unregulated output power with a typical efficiency of up to 85%. This is achieved through highly integrated packaging technology and the implementation of a custom power stage and control IC. The circuit design utilizes an advanced BiCMOS/DMOS process. Separate primary and secondary transformer windings give good isolation and low barrier capacitance.

## POWER STAGE

This uses a push-pull, center-tapped topology switching at 400kHz (divide by 2 from 800kHz oscillator).

## OSCILLATOR AND WATCHDOG

The onboard 800kHz oscillator generates the switching frequency via a divide by 2 circuit. The oscillator can be synchronized to other DCV01 circuits or an external source, and is used to minimize system noise.

A watchdog circuit checks the operation of the oscillator circuit. The oscillator can be stopped by pulling the SYNC<sub>IN</sub> pin LOW. The output pins will be tri-stated. This will occur in 2μs.

## THERMAL SHUTDOWN

The DCV01 is protected by a thermal shutdown circuit. If the on-chip temperature exceeds 150°C, the device will shut down. Once the temperature falls below 150°C, normal operation will resume.

## SYNCHRONIZATION

In the event that more than one DC/DC converter is needed onboard, beat frequencies and other electrical interference can be generated. This is due to the small variations in switching frequencies between the DC/DC converters.

The DCV01 overcomes this by allowing devices to be synchronized to one another. Up to eight devices can be synchronized by connecting the SYNC<sub>IN</sub> pins together, taking care to minimize the capacitance of tracking. Stray capacitance (> 3pF) will have the effect of reducing the

switching frequency, or even stopping the oscillator circuit. If synchronized devices are used, it should be noted that, at start up, all devices will draw maximum current simultaneously. This can cause the input voltage to dip and should it dip below the minimum input voltage (4.5V), the devices may not start up. A 2.2μF capacitor should be connected close to the input pins.

If more than eight devices are to be synchronized, it is recommended that the SYNC<sub>IN</sub> pins are driven by an external device. Details are contained in a separate applications bulletin (AB-153).

## CONSTRUCTION

The DCV01's basic construction is the same as standard ICs. There is no substrate within the molded package. The DCV01 is constructed using an IC, rectifier diodes, and a wound magnetic toroid on a leadframe. As there is no solder within the package, the DCV01 does not require any special PCB assembly processing. This results in an isolated DC/DC converter with inherently high reliability.

# ADDITIONAL FUNCTIONS

## DISABLE/ENABLE

The DCV01 can be disabled or enabled by driving the SYNC pin using an open drain CMOS gate. If the SYNC<sub>IN</sub> pin is pulled low, the DCV01 will be disabled. The disable time depends upon the external loading; the internal disable function is implemented in 2μs. Removal of the pull down will cause the DCV01 to be enabled.

Capacitive loading on the SYNC<sub>IN</sub> pin should be minimized in order to prevent a reduction in the oscillator frequency.

## DECOUPLING

### Ripple Reduction

The high switching frequency of 400kHz allows simple filtering. To reduce ripple, it is recommended that at least a 1μF capacitor is used on V<sub>OUT</sub>. Dual outputs should both be decoupled to pin 5. A 2.2μF low ESR capacitor on the input of the 5V in versions, and a 0.47μF low ESR cap on the 24V DCV01 in versions is recommended.

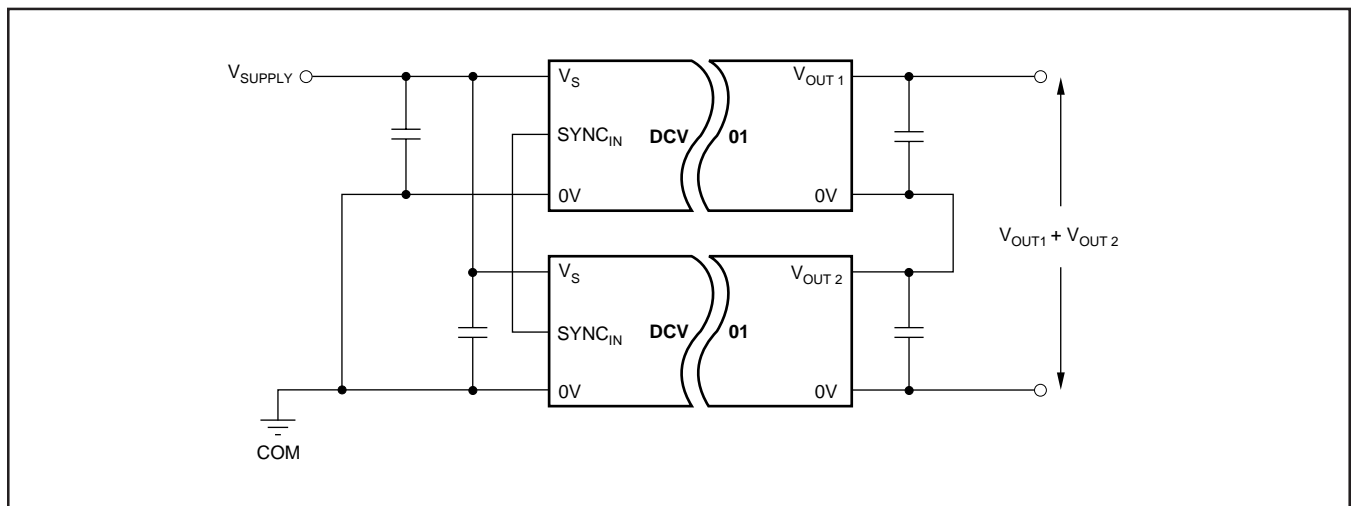


FIGURE 1. Connecting the DCV01 in Series.

## Connecting the DCV01 in Series

Multiple DCV01 isolated 1W DC/DC converters can be connected in series to provide nonstandard voltage rails. This is possible by utilizing the floating outputs provided by the DCV01's galvanic isolation.

Connect the positive  $V_{OUT}$  from one DCV01 to the negative  $V_{OUT}$  (0V) of another (see Figure 1). If the  $SYNC_{IN}$  pins are tied together, the self-synchronization feature of the DCV01 will prevent beat frequencies on the voltage rails. The  $SYNC_{IN}$  feature of the DCV01 allows easy series connection without external filtering, minimizing cost.

The outputs on dual output DCV01 versions can also be connected in series to provide two times the magnitude of  $V_{OUT}$  as shown in Figure 2. For example, a dual 15V DCV01 could be connected to provide a 30V rail.

## Connecting the DCV01 in Parallel

If the output power from one DCV01 is not sufficient, it is possible to parallel the outputs of multiple DCV01s, as shown in Figure 3. Again, the  $SYNC_{IN}$  feature allows easy synchronization to prevent power-rail beat frequencies at no additional filtering cost.

## PCB LAYOUT

### Ripple and Noise

Careful consideration should be given to the layout of the PCB in order that the best results can be obtained.

The DCV01 is a switching power supply and as such can place high peak current demands on the input supply. In order to avoid the supply falling momentarily during the fast switching pulses ground and power planes should be used to track the power to the input of DCV01. If this is not possible then the supplies must be connected in a star formation with the tracks made as wide as possible.

If the  $SYNC_{IN}$  pin is being used then the tracking between device  $SYNC_{IN}$  pins should be short to avoid stray capacitance. If the  $SYNC_{IN}$  pin is not being used it is advisable to place a guard ring, (connected to input ground) around this pin to avoid any noise pick up.

The output should be taken from the device using ground and power planes, this will ensure minimum losses.

A good quality low ESR capacitor placed as close as practicable across the input will reduce reflected ripple and ensure a smooth start up.

A good quality low ESR capacitor placed as close as practicable across the rectifier output terminal and output ground will give the best ripple and noise performance.

## THERMAL MANAGEMENT

Due to the high power density of this device it is advisable to provide ground planes on the input and output.

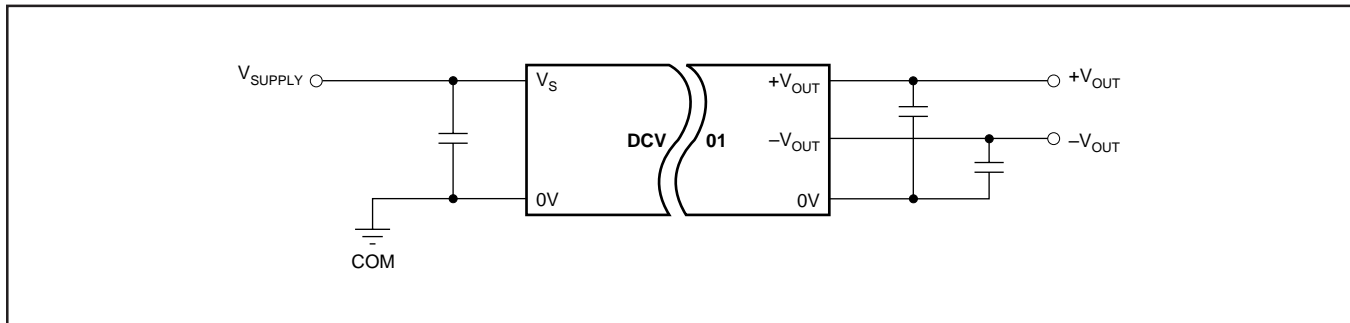


FIGURE 2. Connecting Dual Outputs in Series.

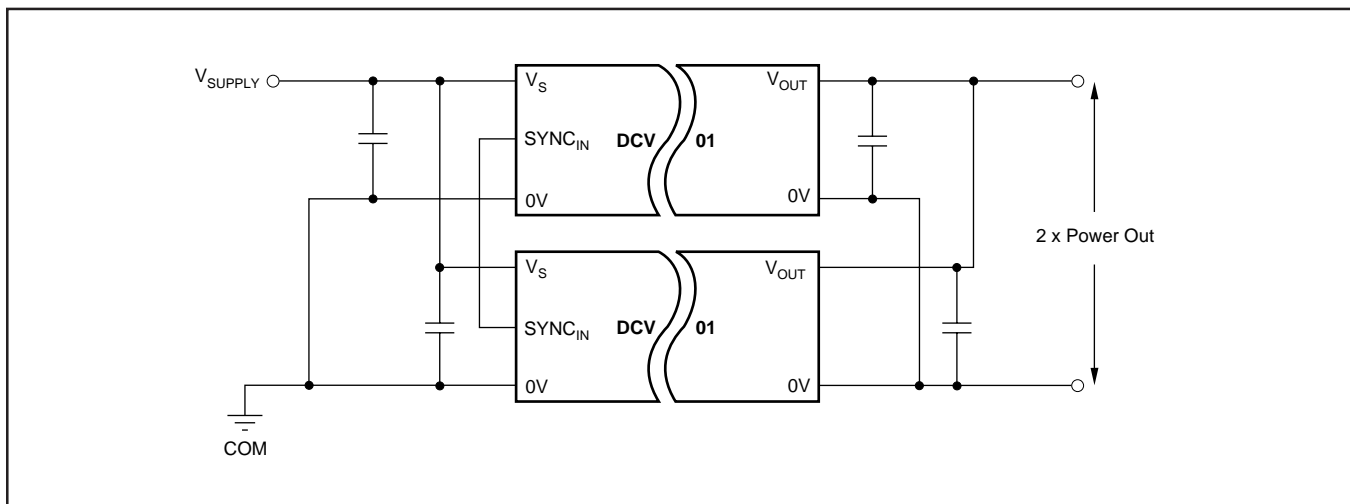


FIGURE 3. Connecting Multiple DCV01s in Parallel.



**PACKAGING INFORMATION**

| Orderable Device  | Status <sup>(1)</sup> | Package Type | Package Drawing | Pins | Package Qty | Eco Plan <sup>(2)</sup> | Lead/Ball Finish | MSL Peak Temp <sup>(3)</sup> |
|-------------------|-----------------------|--------------|-----------------|------|-------------|-------------------------|------------------|------------------------------|
| DCV010505DP       | ACTIVE                | PDIP         | NVA             | 7    | 25          | TBD                     | CU SNPB          | Level-NA-NA-NA               |
| DCV010505DP-U     | ACTIVE                | SOP          | DUA             | 7    | 25          | TBD                     | CU SNPB          | Level-3-240C-168 HR          |
| DCV010505DP-U/700 | ACTIVE                | SOP          | DUA             | 7    | 700         | TBD                     | CU SNPB          | Level-3-240C-168 HR          |
| DCV010505P        | ACTIVE                | PDIP         | NVA             | 7    | 25          | TBD                     | CU SNPB          | Level-NA-NA-NA               |
| DCV010505P-U      | ACTIVE                | SOP          | DUA             | 7    | 25          | TBD                     | CU SNPB          | Level-3-240C-168 HR          |
| DCV010505P-U/700  | ACTIVE                | SOP          | DUA             | 7    | 700         | TBD                     | CU SNPB          | Level-3-240C-168 HR          |
| DCV010512DP       | ACTIVE                | PDIP         | NVA             | 7    | 25          | TBD                     | CU SNPB          | Level-NA-NA-NA               |
| DCV010512DP-U     | ACTIVE                | SOP          | DUA             | 7    | 25          | TBD                     | CU SNPB          | Level-3-240C-168 HR          |
| DCV010512DP-U/700 | ACTIVE                | SOP          | DUA             | 7    | 700         | TBD                     | CU SNPB          | Level-3-240C-168 HR          |
| DCV010512P        | ACTIVE                | PDIP         | NVA             | 7    | 25          | TBD                     | CU SNPB          | Level-NA-NA-NA               |
| DCV010512P-U      | ACTIVE                | SOP          | DUA             | 7    | 25          | TBD                     | CU SNPB          | Level-3-240C-168 HR          |
| DCV010512P-U/700  | ACTIVE                | SOP          | DUA             | 7    | 700         | TBD                     | CU SNPB          | Level-3-240C-168 HR          |
| DCV010515DP       | ACTIVE                | PDIP         | NVA             | 7    | 25          | TBD                     | CU SNPB          | Level-NA-NA-NA               |
| DCV010515DP-U     | ACTIVE                | SOP          | DUA             | 7    | 25          | TBD                     | CU SNPB          | Level-3-240C-168 HR          |
| DCV010515DP-U/700 | ACTIVE                | SOP          | DUA             | 7    | 700         | TBD                     | CU SNPB          | Level-3-240C-168 HR          |
| DCV010515P        | ACTIVE                | PDIP         | NVA             | 7    | 25          | TBD                     | CU SNPB          | Level-NA-NA-NA               |
| DCV010515P-U      | ACTIVE                | SOP          | DUA             | 7    | 25          | TBD                     | CU SNPB          | Level-3-240C-168 HR          |
| DCV010515P-U/700  | ACTIVE                | SOP          | DUA             | 7    | 700         | TBD                     | CU SNPB          | Level-3-240C-168 HR          |
| DCV011512DP       | ACTIVE                | PDIP         | NVA             | 7    | 25          | TBD                     | CU NIPDAU        | Level-NA-NA-NA               |
| DCV011512DP-U     | ACTIVE                | SOP          | DUA             | 7    | 25          | TBD                     | CU NIPDAU        | Level-3-240C-168 HR          |
| DCV011512DP-U/700 | ACTIVE                | SOP          | DUA             | 7    | 700         | TBD                     | CU NIPDAU        | Level-3-240C-168 HR          |
| DCV011515DP       | ACTIVE                | PDIP         | NVA             | 7    | 25          | TBD                     | CU SNPB          | Level-NA-NA-NA               |
| DCV011515DP-U     | ACTIVE                | SOP          | DUA             | 7    | 25          | TBD                     | CU SNPB          | Level-3-240C-168 HR          |
| DCV011515DP-U/700 | ACTIVE                | SOP          | DUA             | 7    | 700         | TBD                     | CU SNPB          | Level-3-240C-168 HR          |
| DCV012405P        | ACTIVE                | PDIP         | NVA             | 7    | 25          | TBD                     | CU SNPB          | Level-NA-NA-NA               |
| DCV012405P-U      | ACTIVE                | SOP          | DUA             | 7    | 25          | TBD                     | CU SNPB          | Level-3-240C-168 HR          |
| DCV012405P-U/700  | ACTIVE                | SOP          | DUA             | 7    | 700         | TBD                     | CU SNPB          | Level-3-240C-168 HR          |
| DCV012415DP       | ACTIVE                | PDIP         | NVA             | 7    | 25          | TBD                     | CU SNPB          | Level-NA-NA-NA               |
| DCV012415DP-U     | ACTIVE                | SOP          | DUA             | 7    | 25          | TBD                     | CU SNPB          | Level-3-235C-168 HR          |
| DCV012415DP-U/700 | ACTIVE                | SOP          | DUA             | 7    | 700         | TBD                     | CU SNPB          | Level-3-235C-168 HR          |

<sup>(1)</sup> The marketing status values are defined as follows:

**ACTIVE:** Product device recommended for new designs.

**LIFEBUY:** TI has announced that the device will be discontinued, and a lifetime-buy period is in effect.

**NRND:** Not recommended for new designs. Device is in production to support existing customers, but TI does not recommend using this part in a new design.

**PREVIEW:** Device has been announced but is not in production. Samples may or may not be available.

**OBSELETE:** TI has discontinued the production of the device.

<sup>(2)</sup> Eco Plan - The planned eco-friendly classification: Pb-Free (RoHS) or Green (RoHS & no Sb/Br) - please check <http://www.ti.com/productcontent> for the latest availability information and additional product content details.

**TBD:** The Pb-Free/Green conversion plan has not been defined.

**Pb-Free (RoHS):** TI's terms "Lead-Free" or "Pb-Free" mean semiconductor products that are compatible with the current RoHS requirements for all 6 substances, including the requirement that lead not exceed 0.1% by weight in homogeneous materials. Where designed to be soldered at high temperatures, TI Pb-Free products are suitable for use in specified lead-free processes.

**Green (RoHS & no Sb/Br):** TI defines "Green" to mean Pb-Free (RoHS compatible), and free of Bromine (Br) and Antimony (Sb) based flame retardants (Br or Sb do not exceed 0.1% by weight in homogeneous material)

<sup>(3)</sup> MSL, Peak Temp. -- The Moisture Sensitivity Level rating according to the JEDEC industry standard classifications, and peak solder temperature.

**Important Information and Disclaimer:**The information provided on this page represents TI's knowledge and belief as of the date that it is provided. TI bases its knowledge and belief on information provided by third parties, and makes no representation or warranty as to the accuracy of such information. Efforts are underway to better integrate information from third parties. TI has taken and continues to take reasonable steps to provide representative and accurate information but may not have conducted destructive testing or chemical analysis on incoming materials and chemicals. TI and TI suppliers consider certain information to be proprietary, and thus CAS numbers and other limited information may not be available for release.

In no event shall TI's liability arising out of such information exceed the total purchase price of the TI part(s) at issue in this document sold by TI to Customer on an annual basis.

## IMPORTANT NOTICE

Texas Instruments Incorporated and its subsidiaries (TI) reserve the right to make corrections, modifications, enhancements, improvements, and other changes to its products and services at any time and to discontinue any product or service without notice. Customers should obtain the latest relevant information before placing orders and should verify that such information is current and complete. All products are sold subject to TI's terms and conditions of sale supplied at the time of order acknowledgment.

TI warrants performance of its hardware products to the specifications applicable at the time of sale in accordance with TI's standard warranty. Testing and other quality control techniques are used to the extent TI deems necessary to support this warranty. Except where mandated by government requirements, testing of all parameters of each product is not necessarily performed.

TI assumes no liability for applications assistance or customer product design. Customers are responsible for their products and applications using TI components. To minimize the risks associated with customer products and applications, customers should provide adequate design and operating safeguards.

TI does not warrant or represent that any license, either express or implied, is granted under any TI patent right, copyright, mask work right, or other TI intellectual property right relating to any combination, machine, or process in which TI products or services are used. Information published by TI regarding third-party products or services does not constitute a license from TI to use such products or services or a warranty or endorsement thereof. Use of such information may require a license from a third party under the patents or other intellectual property of the third party, or a license from TI under the patents or other intellectual property of TI.

Reproduction of information in TI data books or data sheets is permissible only if reproduction is without alteration and is accompanied by all associated warranties, conditions, limitations, and notices. Reproduction of this information with alteration is an unfair and deceptive business practice. TI is not responsible or liable for such altered documentation.

Resale of TI products or services with statements different from or beyond the parameters stated by TI for that product or service voids all express and any implied warranties for the associated TI product or service and is an unfair and deceptive business practice. TI is not responsible or liable for any such statements.

Following are URLs where you can obtain information on other Texas Instruments products and application solutions:

| <b>Products</b>  |                                                                    | <b>Applications</b> |                                                                          |
|------------------|--------------------------------------------------------------------|---------------------|--------------------------------------------------------------------------|
| Amplifiers       | <a href="http://amplifier.ti.com">amplifier.ti.com</a>             | Audio               | <a href="http://www.ti.com/audio">www.ti.com/audio</a>                   |
| Data Converters  | <a href="http://dataconverter.ti.com">dataconverter.ti.com</a>     | Automotive          | <a href="http://www.ti.com/automotive">www.ti.com/automotive</a>         |
| DSP              | <a href="http://dsp.ti.com">dsp.ti.com</a>                         | Broadband           | <a href="http://www.ti.com/broadband">www.ti.com/broadband</a>           |
| Interface        | <a href="http://interface.ti.com">interface.ti.com</a>             | Digital Control     | <a href="http://www.ti.com/digitalcontrol">www.ti.com/digitalcontrol</a> |
| Logic            | <a href="http://logic.ti.com">logic.ti.com</a>                     | Military            | <a href="http://www.ti.com/military">www.ti.com/military</a>             |
| Power Mgmt       | <a href="http://power.ti.com">power.ti.com</a>                     | Optical Networking  | <a href="http://www.ti.com/opticalnetwork">www.ti.com/opticalnetwork</a> |
| Microcontrollers | <a href="http://microcontroller.ti.com">microcontroller.ti.com</a> | Security            | <a href="http://www.ti.com/security">www.ti.com/security</a>             |
|                  |                                                                    | Telephony           | <a href="http://www.ti.com/telephony">www.ti.com/telephony</a>           |
|                  |                                                                    | Video & Imaging     | <a href="http://www.ti.com/video">www.ti.com/video</a>                   |
|                  |                                                                    | Wireless            | <a href="http://www.ti.com/wireless">www.ti.com/wireless</a>             |

Mailing Address: Texas Instruments  
Post Office Box 655303 Dallas, Texas 75265