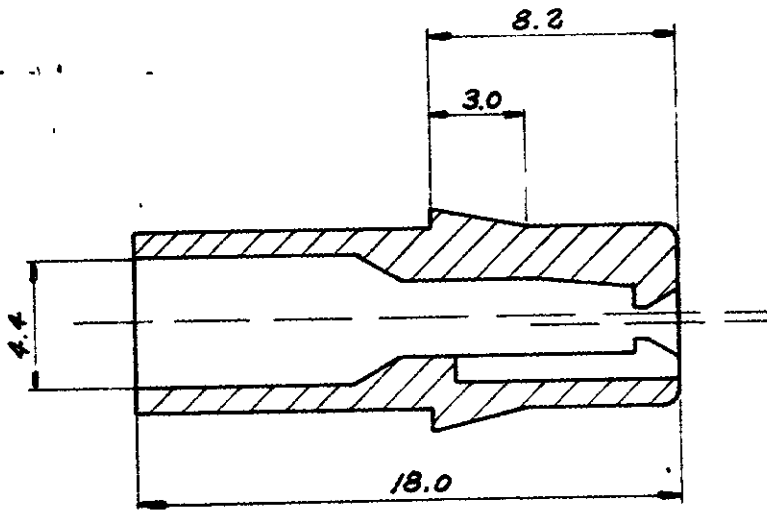


DRAWING MADE IN THIRD ANGLE PROJECTION

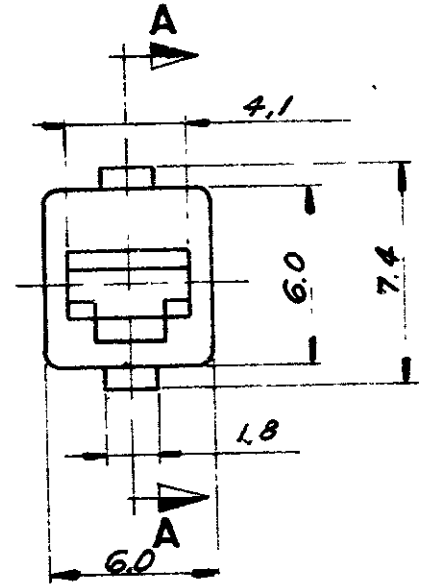
LOC	DIST
-----	------

© Copyright 1978 by AMP DO BRASIL - S. P. All International Rights Reserved. AMP Incorporated products covered by U. S. and Foreign patents and/or patents pending.

REVISIONS				
LTR	DESCRIPTION	DATE	APPROVED	P.F.
B	4,1; 6,0; 7,4; 6,0, ERAM 4,0; 5,9; 7,3; 5,6 RESEP	18.7.78	<i>[Signature]</i>	



SECCÃO A-A



NATURAL	NYLON	626062-0
COR	MATERIAL	PART NO

UNLESS OTHERWISE SPECIFIED DIMENSIONS ARE IN mm TOLERANCES ON DECIMALS ± 0.2 ANGLES ±

CONTRACT NO	
DR	P.J. Rossi 06/02/78
CHK	<i>[Signature]</i> 06/06/78
APPD	
APPD	
WIRE-RANGE	—
INSUL-RANGE	—

TOLERANCE	<i>[Symbol]</i>	<b>AMP</b>	AMP DO BRASIL S Paulo - Brasil
-----------	-----------------	------------	-----------------------------------

MATERIAL	TABELA
FINISH	<i>[Symbol]</i>

NAME  
**1 WAY FASTIN-ON RESEP. HOUSING**

SIZE	LOC	DRAWING NO
A	AP.	626062
SCALE	9:1	SHEET
		REV. B