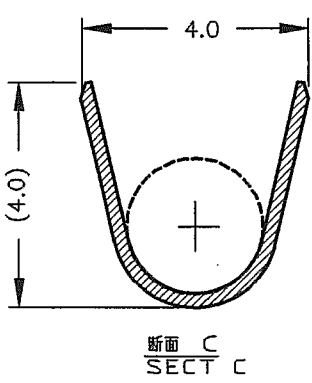
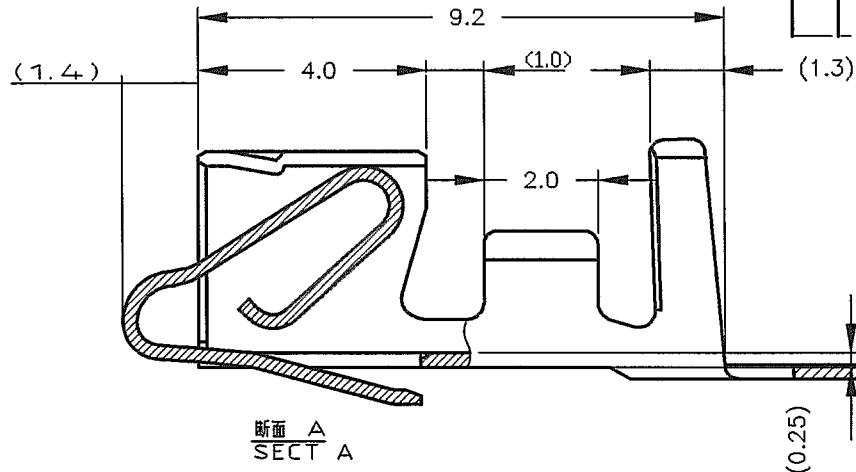
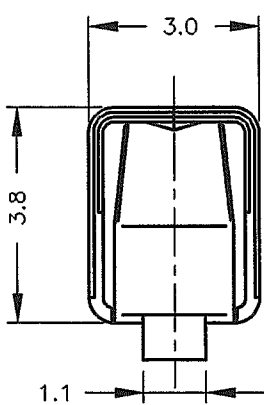
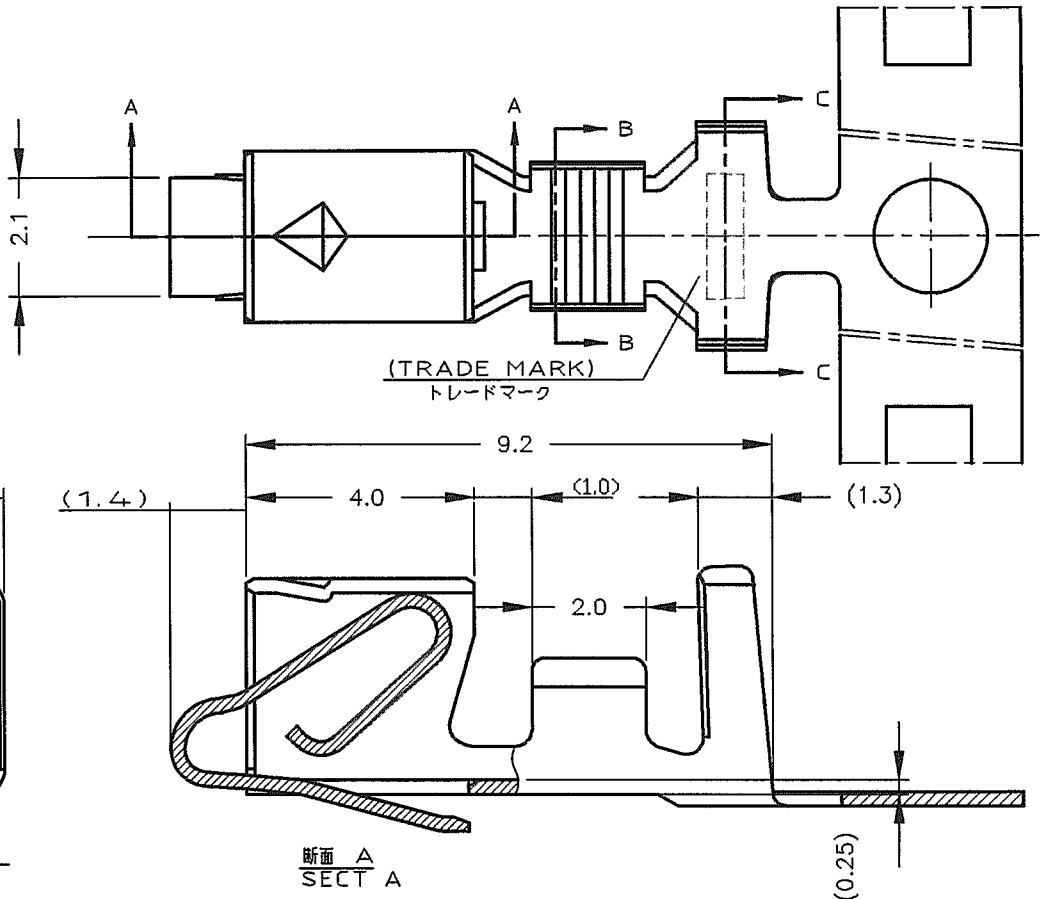


LOC	DIST	REVISIONS						
J	//	P	LTR	DESCRIPTION	ECN	DATE	DWN	APVD
			E	変更 (REVISED)	ECR-08-019044	31JUL'08	J.S	S.M



#	PRE TIN BRASS 無鉛黄銅	1123721-2
1318912-1	PRE TIN PHOS BRO 無鉛黄銅 リン青銅	1123721-1
パラ端子型番	材料	型番
(LOOSE PIECE CONT P/N) (MATERIAL) (Part Number)		

WIRE RANGE 総合電線断面積	0.3~0.89mm ² (AWG#22~18)	INSULATION DIA 絶縁外径	φ1.7~3.0mm
-----------------------	-------------------------------------	------------------------	------------

THIS DRAWING IS UNPUBLISHED. ALL RIGHTS RESERVED. BY AMP INCORPORATED. JBLICATION RELEASED FOR ED. COPYRIGHT 19

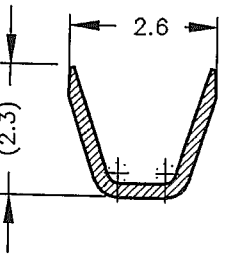
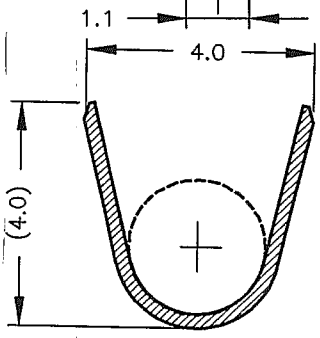
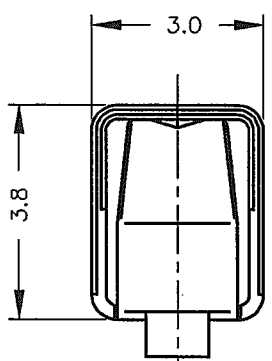
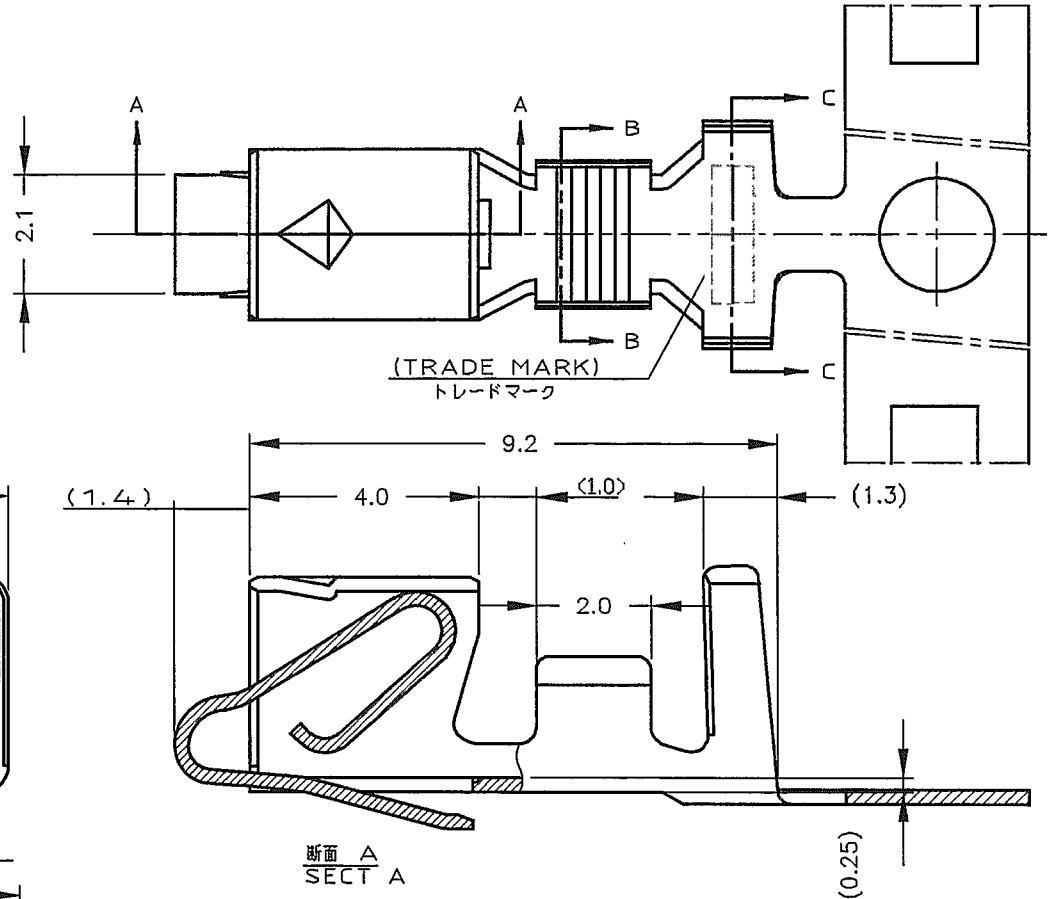
DIMENSIONS: 単位: 概 mm	DWN N.YAMASAKI 24 JUN '98
TOLERANCES UNLESS OTHERWISE SPECIFIED:	CHK M.SHINDO 24 JUN '98
一般公差 5 : ±0.3 >5 : ±0.4	APVD M.SHINDO 24 JUN '98
	PRODUCT SPEC 製品規格 108-5609
	APPLICATION SPEC 取付適用規格 114-5253
	WEIGHT //

MATERIAL 材料	表参照 (SEE LABEL)	FINISH 仕上	//
Tyco Electronics Corporation Kawasaki, Japan			
NAME 名称 ECONOMY POWER (EP) CONN. REC CONT エコノミーパワー(EP) コネクタ リセコンタクト			
SIZE A4	CAGE CODE 00779	DRAWING NO C=1123721	RESTRICTED TO

CUSTOMER DRAWING	SCALE 尺度	//	SHEET 1	OF 2	REV E
------------------	-------------	----	------------	---------	----------

LOC J	DIST -	REVISIONS			
P	LTR	DESCRIPTION	DATE	DWN	APVD
		SEE SHEET 1			

-3:本図
-3:AS SHOWN



断面 A
SECT A

注記
△

1123721-3と 1318912-3に適用する

NOTE
△

APPLY A RULE TO 1123721-3 AND 1318912-3

1473063-1, 1473063-2 1473393-1, 1473393-2	1318912-3	PHOS-PHO BRONS (Au PL. CONT.) リン青銅(コンタクト部金メッキ)	1123721-3
適合ハウジング キット SUITED HOUSING KIT	バラ端子型番 LOOSE PIECE CONT. P/N	材料 MATERIAL	型番 PART NUMBER

WIRE RANGE
絶縁電線断面積
0.53-1.37mm² (AWG#20-16) △

INSULATION DIA
被覆外径
φ1.8-2.8mm △

DIMENSIONS: mm	DWN -
TOLERANCES UNLESS OTHERWISE SPECIFIED:	CHK -
0 PLC ±	APVD -
1 PLC ±	PRODUCT SPEC 108-5743 △
2 PLC ±	APPLICATION SPEC 114-5303 △
3 PLC ±	WEIGHT -
4 PLC ±	CUSTOMER DRAWING
ANGLES ±	

MATERIAL SEE TABLE FINISH -

Tyco Electronics Tyco Electronics Corporation
Kawasaki, Japan

NAME ECONOMY POWER(EP) CONN. REC. CONT.
エコノミーパワー(EP) コネクタ リセコンタクト

SIZE A 4	CAGE CODE 00779	DRAWING NO C=1123721	RESTRICTED TO -
-------------	--------------------	-------------------------	--------------------

2003
RELEASED FOR PUBLICATION

THIS DRAWING IS UNPUBLISHED.
© COPYRIGHT 2003 BY TYCO ELECTRONICS CORPORATION. ALL RIGHTS RESERVED.