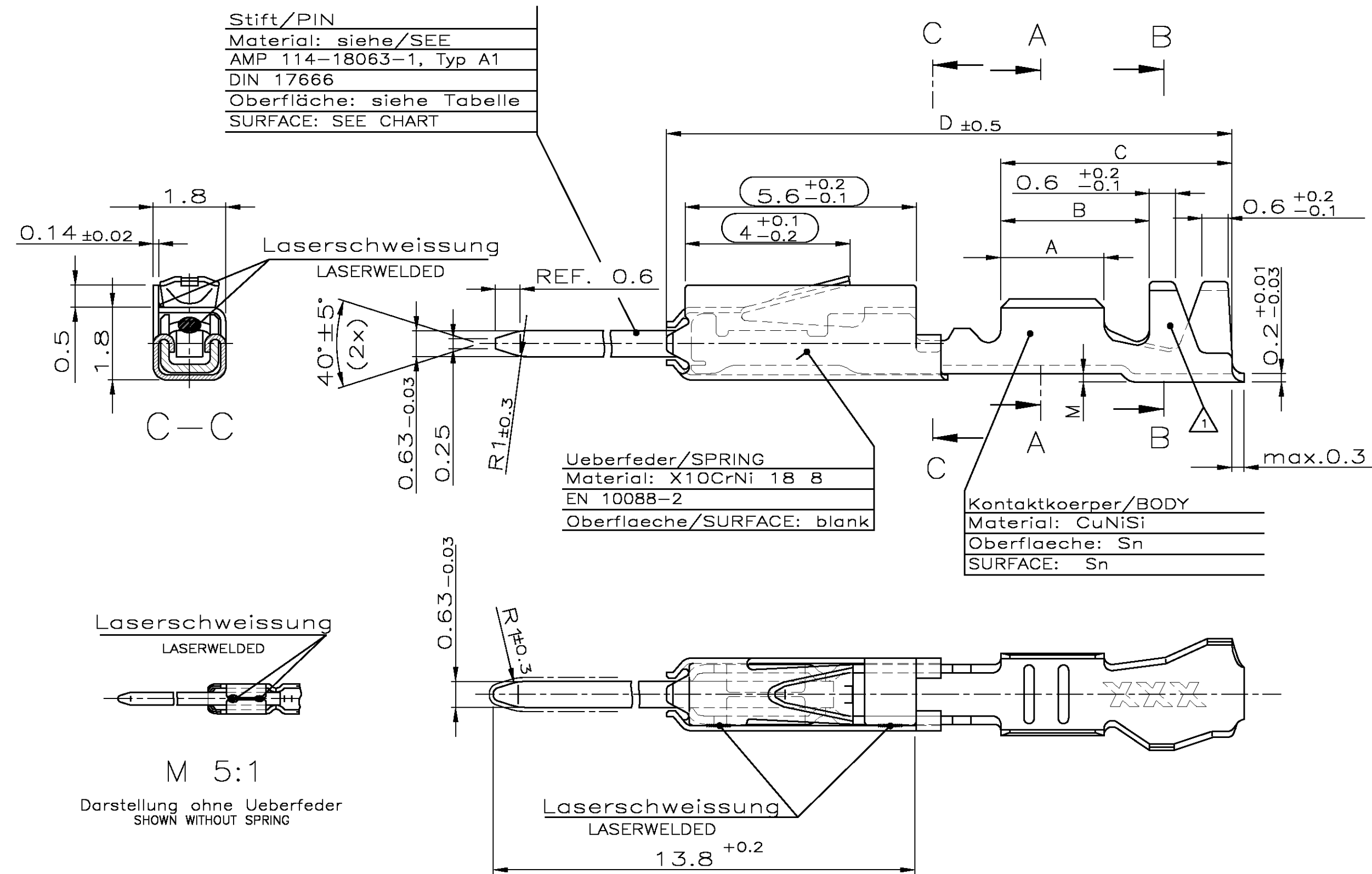


REV	DATE	BY	CHK	DESCRIPTION
A1	09.02.06	KF	HK	REVISIONS ÄNDERUNGEN DESCRIPTION BESCHREIBUNG
C7	18.08.06	KF	HK	REVISIONS ÄNDERUNGEN DESCRIPTION BESCHREIBUNG
C8	26.JAN.2005	Moh.	Komp.	REVISIONS ÄNDERUNGEN DESCRIPTION BESCHREIBUNG
C9				REVISIONS ÄNDERUNGEN DESCRIPTION BESCHREIBUNG

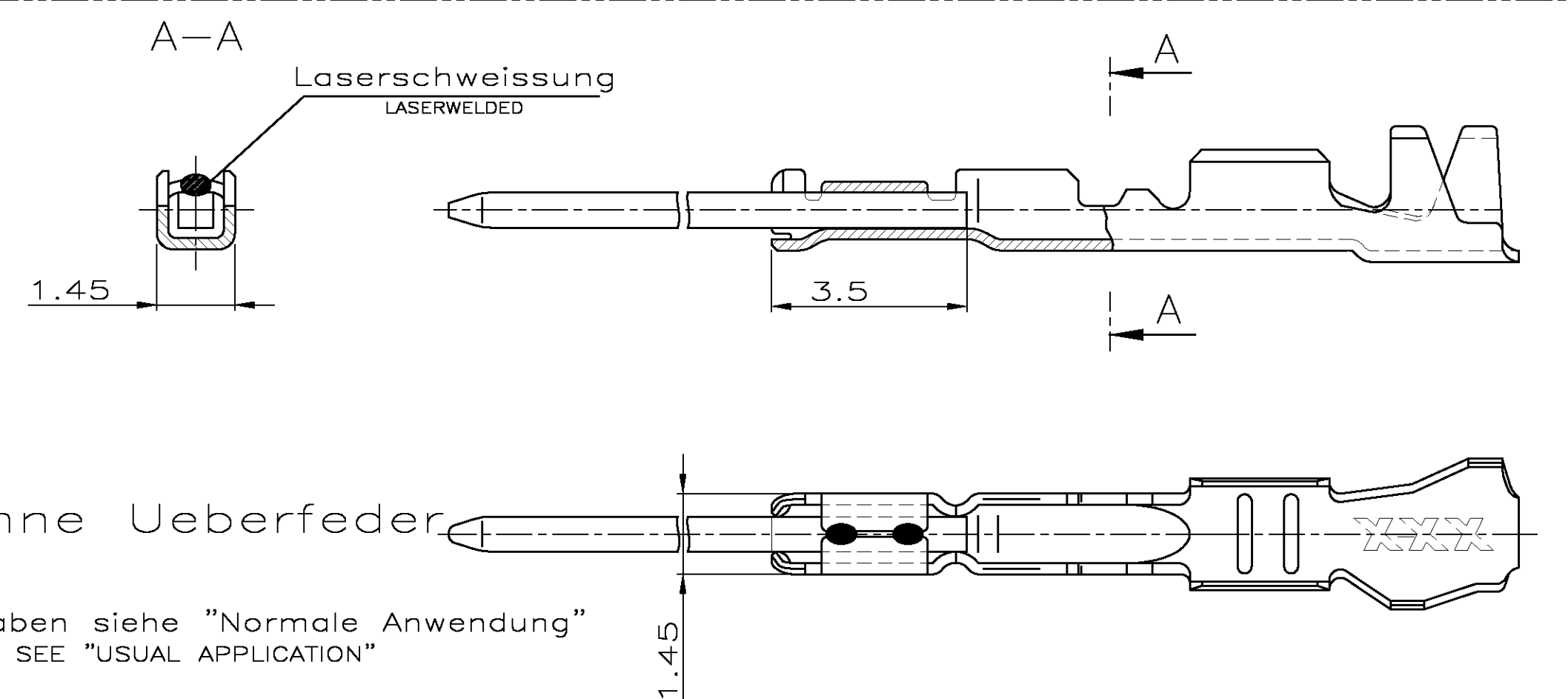
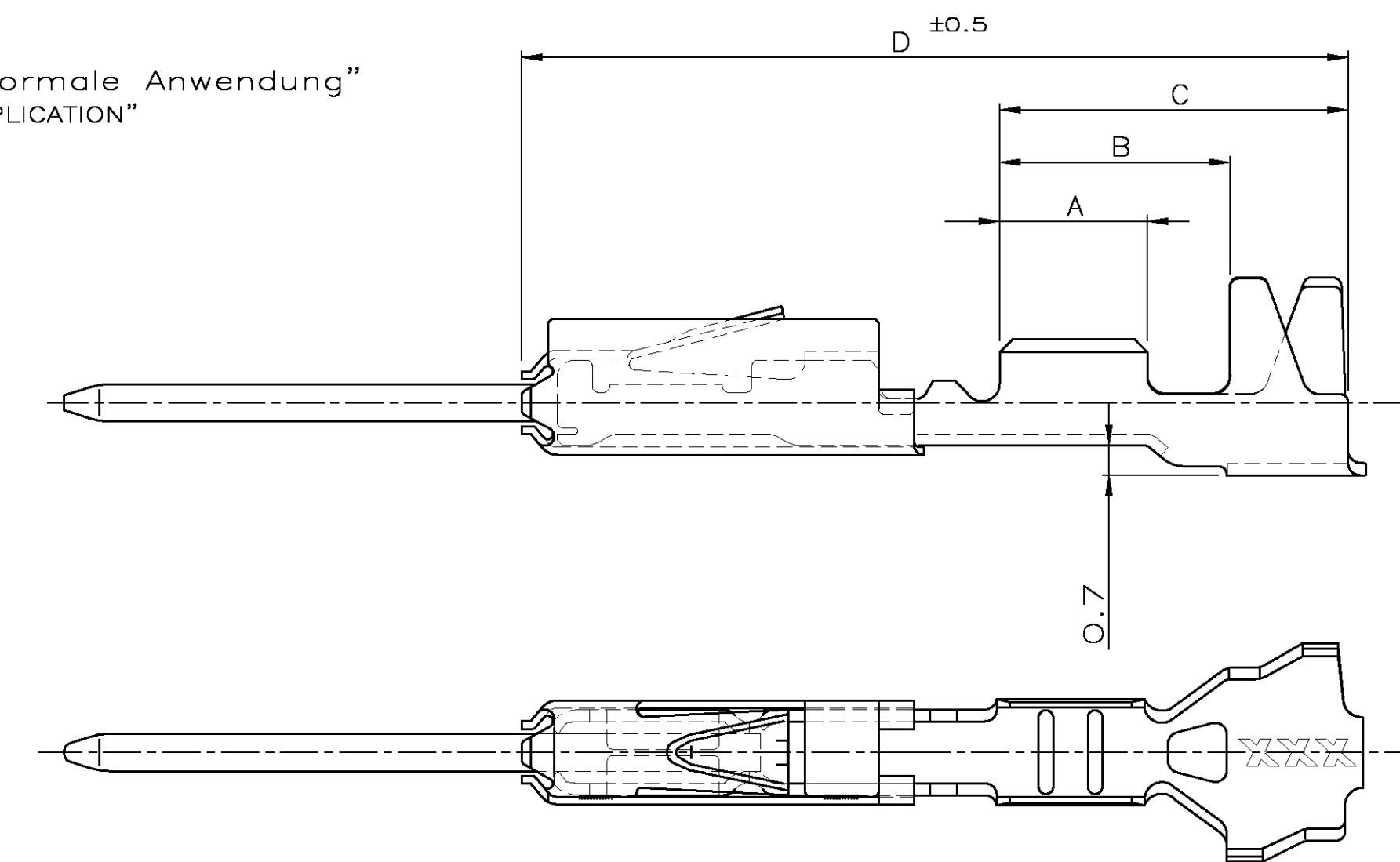
Normale Anwendung USUAL APPLICATION



M 5:1
Darstellung ohne Ueberfeder
SHOWN WITHOUT SPRING

Einzel-Dichtungs-System SINGLE-WIRE-SEAL-SYSTEM

Fehlende Masse und Angaben siehe "Normale Anwendung"
MISSING DIMENSIONS AND NOTES SEE "USUAL APPLICATION"

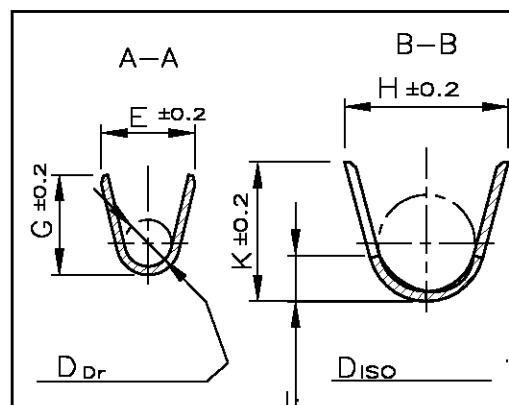
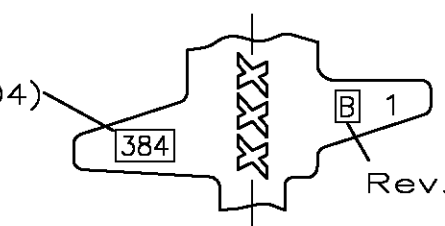


Ausfuehrung ohne Ueberfeder WITHOUT SPRING

Fehlende Masse und Angaben siehe "Normale Anwendung"
MISSING DIMENSIONS AND NOTES SEE "USUAL APPLICATION"

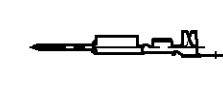
Bemerkungen NOTES

- Datumscode (Woche / Jahr ,z.B. KW38 / Jahr 2004) und Tyco-Revision (z.B. Rev.B)
DATE-CODE (WEEK / YEAR (E.G.WEEK NUMBER 38 / YEAR 2004) AND TYCO REVISION (E.G. REV. B))
- Passend zu Buchsenkontakt siehe Zeichnung: AMP:929454
SUITABLE FOR SOCKET CONTACT SEE DRAWING:
- Recyclingklasse nach BMW N113 99.0 R3
RECYCLINGCLASS TO
- Einzelheiten der Ausfuehrung bleiben dem Hersteller ueberlassen
DETAILS OF DESIGN ARE LEFT TO MANUFACTURER
- Nur fuer FLR-Leitung nach DIN 72551, Teil 6
FOR FLR-CONDUCTOR ACCORDING TO DIN 72551-6 ONLY
- Gereelte Ausfuehrung: REELED VERSION: AMP: 963379-7
- Gereelte Ausfuehrung: REELED VERSION: AMP: 963379-6
- Bei 0.5mm²-Leitung im Airbagpfad ist die Verwendung der Kontakte fuer Drahtgroessenbereich 0.5 ... 0.75mm² vorgeschrieben
FOR 0.5mm²-WIRE IN AIRBAG-APPLICATIONS THE CONTACT FOR WIRE-SIZE 0.5 ... 0.75mm² IS PRESCRIBED



AMP BESTELL-NR. ORDER NO.	REV.	Einzelueberfuehrung LOOSE PRICE AMP-BESTELL-NR. AMP-ORDER-NO.	VERSION	Ueberfeder vorhanden? SPRING AVAILABLE?	DGB WIRE-SIZE-RANGE [mm ²]	Oberflaeche SURFACE	Laenge LENGTH	Drahtcrimp WIRE CRIMP	Insu.Crimp INSU.CRIMP	GEWICHT WEIGHT [g]	Verarbeitung APPLICATION	DGB [mm ²]	Isolations- w. INSUL.-DIA. [mm]	fuer Kammer- φ 3.45 mm FOR CAVITY-DIA. 3.45mm	fuer Kammer- φ 4 mm FOR CAVITY-DIA. 4mm
965 908-2	D	965 909-2		Ja / YES	0.5 - 0.75	Au	A = 2.8 B = 4.2 C = 6.2 D = 14.3	E = 2 G = 2.1 D _{Dr} = 1	H = 3.5 K = 3.4 L = 1.5 D _{iso} = 2.4	0.18	siehe Verarbeitungs- spezifikation	0.75			
965 908-1	C	965 909-1		Ja / YES	0.5 - 0.75	Sn	A = 2.5 B = 3.9 C = 5.9 D = 14	E = 1.8 G = 1.8 D _{Dr} = 0.8	H = 3.5 K = 3.4 L = 1.5 D _{iso} = 2.4	0.12	SEE APPLICATIONSPEZ.	0.5			
1-962 886-1	N			Nein / NO	0.25 - 0.5	Sn	A = 2.5 B = 3.9 C = 5.9 D = 14	E = 1.8 G = 1.8 D _{Dr} = 0.8	H = 3.5 K = 3.4 L = 1.5 D _{iso} = 2.4	0.16	SEE APPLICATIONSPEZ.	0.35 0.2			
962 886-2	N	963 728-2		Ja / YES	0.25 - 0.5	Au	A = 2.5 B = 3.7 C = 5.4 D = 13.7	E = 1.5 G = 1.5 D _{Dr} = 0.65	H = 3.5 K = 3.4 L = 1.5 D _{iso} = 2.4	0.13	114-18025-0				
962 886-1	M	963 728-1		Ja / YES	0.25 - 0.5	Sn	A = 2.5 B = 3.6 C = 5.6 D = 13.7	E = 1.8 G = 1.8 D _{Dr} = 0.8	H = 2.3 K = 2.3 L = 0.6 D _{iso} = 1.4	0.11	siehe Spec. SEE APPL'SPEC.				
928 918-2	W			Nein / NO	0.25-0.5	Au	A = 2.8 B = 3.8 C = 5.8 D = 13.7	E = 2 G = 2.1 D _{Dr} = 1	H = 2.7 K = 2.9 L = 0.7 D _{iso} = 1.6	0.12	siehe Verarbeitungs- spezifikation				
928 918-1	V			Nein / NO	0.25-0.5	Sn	A = 2.5 B = 3.5 C = 5.5 D = 13.7	E = 1.8 G = 1.8 D _{Dr} = 0.8	H = 2.3 K = 2.3 L = 0.6 D _{iso} = 1.4	0.15	SEE APPLICATIONSPEZ.				
1-963 716-2	A	1-963730-2		Ja / YES	0.5 - 0.75	Au	A = 2.5 B = 3.5 C = 5.5 D = 13.7	E = 1.5 G = 1.5 D _{Dr} = 0.65	H = 2 K = 2 L = 1.1 D _{iso} = 1.1	0.15	114-18021-0				
963 716-2	W	963730-2		Ja / YES	0.5 - 0.75	Au	A = 2.5 B = 3.5 C = 5.5 D = 13.7	E = 1.8 G = 1.8 D _{Dr} = 0.8	H = 2.3 K = 2.3 L = 0.6 D _{iso} = 1.4	0.15	SEE APPLICATIONSPEZ.				
963 716-1	V	963730-1		Ja / YES	0.5 - 0.75	Sn	A = 2.5 B = 3.5 C = 5.5 D = 13.7	E = 1.5 G = 1.5 D _{Dr} = 0.65	H = 2 K = 2 L = 1.1 D _{iso} = 1.1	0.15	114-18021-0				
1-928 918-2	W	2-963 725-1		Ja / YES	0.25 - 0.5	Au	A = 2.5 B = 3.5 C = 5.5 D = 13.7	E = 1.8 G = 1.8 D _{Dr} = 0.8	H = 2 K = 2 L = 1.1 D _{iso} = 1.1	0.15	114-18021-0				
1-928 918-1	V	1-963 725-1		Ja / YES	0.25 - 0.5	Sn	A = 2.5 B = 3.5 C = 5.5 D = 13.7	E = 1.5 G = 1.5 D _{Dr} = 0.65	H = 2 K = 2 L = 1.1 D _{iso} = 1.1	0.15	114-18021-0				
1355719-2	B	1355720-2		Ja / YES	0.14 - 0.22	Au	A = 2.5 B = 3.5 C = 5.4 D = 13.7	E = 1.5 G = 1.5 D _{Dr} = 0.65	H = 2 K = 2 L = 1.1 D _{iso} = 1.1	0.15	114-18021-0				
1355719-1	B	1355720-1		Ja / YES	0.14 - 0.22	Sn	A = 2.5 B = 3.5 C = 5.4 D = 13.7	E = 1.5 G = 1.5 D _{Dr} = 0.65	H = 2 K = 2 L = 1.1 D _{iso} = 1.1	0.15	114-18021-0				

M1:1



DIMENSIONEN: mm		TOLERANZEN UNLESS OTHERWISE SPECIFIED: ALUMINIUMTOLERANZEN	
DIN 9939-m		DIN 9939-m	
MATERIAL		FINISH/OBERFLAECHEN/FARBE	
AMP 929454		AMP 929454	
REVISIONS		REVISIONS	
DATE		DATE	
BY		BY	
CHK		CHK	
APPD		APPD	
PRODUCT SPEC		PRODUCT SPEC	
APPLICATION SPEC		APPLICATION SPEC	
WEIGHT		WEIGHT	
CUSTOMER DRAWING		CUSTOMER DRAWING	