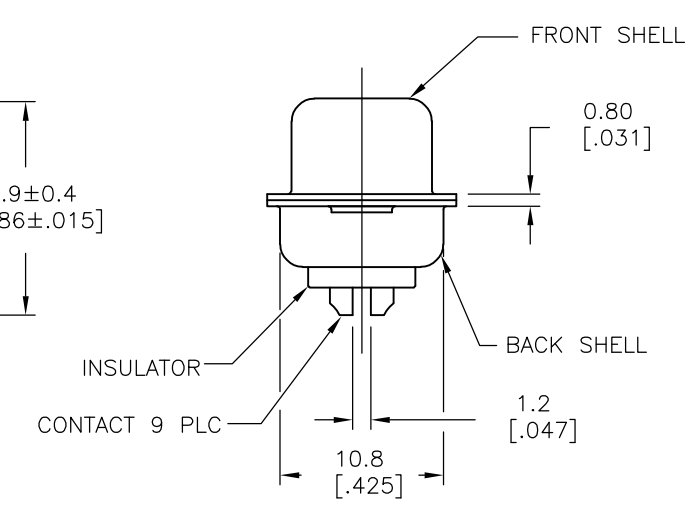
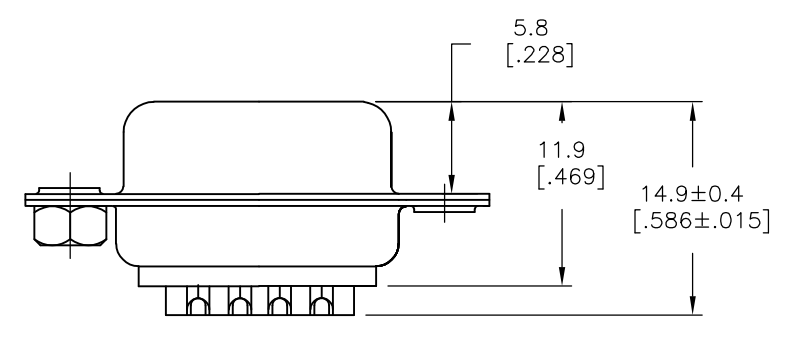
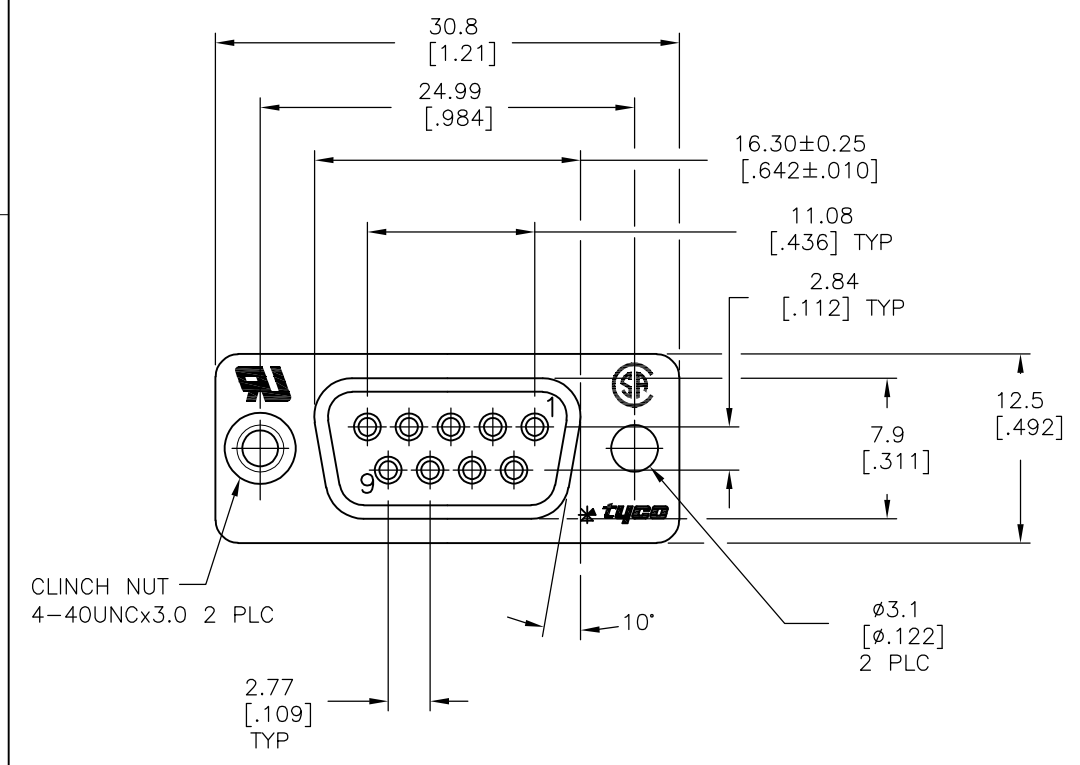


THIS DRAWING IS UNPUBLISHED. RELEASED FOR PUBLICATION
 © COPYRIGHT BY TYCO ELECTRONICS CORPORATION. ALL RIGHTS RESERVED.

LOC	DIST	REVISIONS			
P	LTR	DESCRIPTION	DATE	DWN	APVD
BD	00	W	REVISED PER ECO-08-025671	16OCT08	HMR JO



- 1 MATERIAL:
 FRONT INSULATOR: PBT, 30 %GF, UL94V-0, BLACK COLOR
 BACK INSULATOR: PBT, 30 %GF, UL94V-0, BLACK COLOR
 CONTACT: BRASS
 FRONT SHELL: STEEL
 BACK SHELL: STEEL
 CLINCH NUTS: BRASS
- 2 FINISH:
 CONTACT: GOLD PLATING 0.00002[.0000008] MIN ON CONTACT AREA 0.00229[.000090] MIN TIN-LEAD PLATING ALL OVER 0.00127[.000050] MIN NICKEL
- 3 CONTACT: GOLD PLATING 0.00076[.000030] MIN ON CONTACT AREA 0.00229[.000090] MIN TIN-LEAD PLATING ALL OVER 0.00127[.000050] MIN NICKEL
- 4 SHELL: TIN 0.0241[.000095] MIN FULL SHELL
- 5 SHELL: BLUE ZINC: 0.00508[.000200] - 0.00762[.000300] OVER ENTIRE SHELL
- 6 CONTACT: GOLD PLATING 0.00002[.0000008] MIN ON CONTACT AREA 0.00229[.000090] MIN TIN-COPPER PLATING ALL OVER 0.00127[.000050] MIN NICKEL
- 7 CLINCH NUTS: NICKEL PLATING .00305-.00508[.000120-.000200]
- 8 SPECIFICATION
 ELECTRICAL CHARACTERISTICS: CURRENT RATING: 3 AMPERES
 DIELECTRIC WITHSTANDING VOLTAGE: AC 1000V r.m.s
 INSULATION RESISTANCE: 5000 MEGOHMS MINIMUM AT DC 500V
 CONTACT RESISTANCE: 10 MILLIOHMS MAXIMUM.
- 9 RECEPTACLE ASSEMBLY MATES WITH ANY 9 POSITION PLUG IN AMPLIMITE SERIES
- 10 SOLDER CUP WILL ACCOMODATE 20 AWG MAX WIRE
- 11 ROHS 2002/95/EC/COMPLIANT
- 12 CONTACT: GOLD PLATING 0.00076[.000030] MIN ON CONTACT AREA 0.00229[.000090] MIN TIN-COPPER ALL OVER 0.00127[.000050] MIN NICKEL PLATING

11	STANDARD	NO	6	5	5-747905-4
11	STANDARD	YES	6	4	5-747905-7
11	STANDARD	NO	12	4	5-747905-5
11	STANDARD	NO	6	4	5-747905-2
11	STANDARD	NO	6	4	747905-8
	SUPERSEDED TO 5-747905-2		2	4	747905-7
	SUPERSEDED TO 5-747905-7		3	4	747905-5
	SUPERSEDED TO 5-747905-5		2	5	747905-4
	SUPERSEDED TO 5-747905-4		2	4	747905-2

PACKAGING TYPE	CLINCH NUTS	CONTACTS	SHELLS	PART NO.
	7			

THIS DRAWING IS A CONTROLLED DOCUMENT.		DWN M.BINNER 03MAR03	Tyco Electronics Corporation Harrisburg, PA 17105-3608		
DIMENSIONS: mm		CHK R.BENDORF 05MAR03	NAME RECEPTACLE ASSEMBLY, SOLDER CUP, SIZE 1, 9 POSITION, AMPLMITE		
TOLERANCES UNLESS OTHERWISE SPECIFIED:		APVD R.BENDORF 05MAR03	PRODUCT SPEC		
0 PLC ± - 1 PLC ± 0.25 2 PLC ± 0.13 3 PLC ± 0.05 4 PLC ± - ANGLES ± -		APPLICATION SPEC		RESTRICTED TO	
MATERIAL		WEIGHT	SIZE	CAGE CODE	DRAWING NO
1		SEE TABLE	-	A300779	C-747905
CUSTOMER DRAWING			SCALE	SHEET	REV
			2:1	1 OF 1	W