

**712-839**  
**Guardian System - Metal**  
**Convolute Tubing to Connector Universal Backshell**  
**for Series 72 Annular Convolute Tubing**

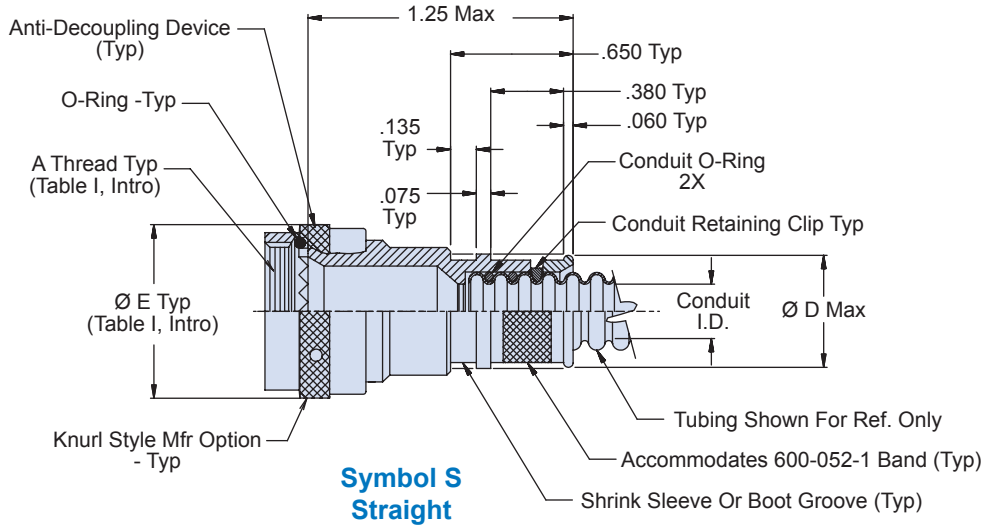
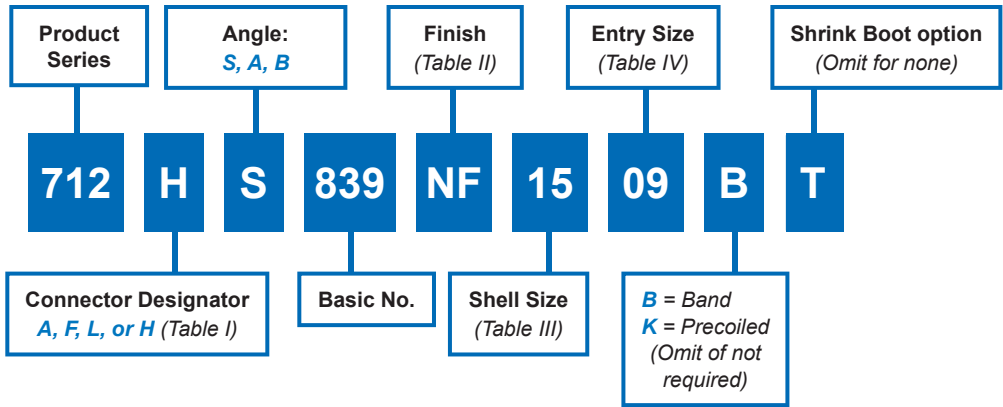
**Metal Guardian System universal convolute tubing to connector and adapter backshell, self locking, EMI/RFI environmental**

**How To Order**



Self-Locking

**B**



**Material and Finish**

- Adapters, elbows, coupling nut: See Table II
- O-Rings: Silicone/NA
- Retaining clip: High grade engineering thermoplastic/NA
- Anti-decoupling device: Corrosion resistant material

**Tools and Assembly notes**

- Conduit retaining clip and conduit O-Ring to be supplied unassembled
- For effective grounding, connector with conductive Finish should be used
- Glenair assembly procedure is recommended for adapter to conduit termination. See Guardian assembly procedure at the end of this section
- Interfacial O-Ring not supplied with Connector Designator "A"

**712-839**  
**Guardian System - Metal**  
**Convoluted Tubing to Connector Universal Backshell**  
**for Series 72 Annular Convoluted Tubing**

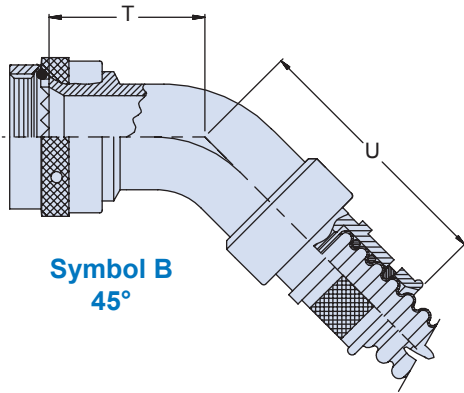


Table III: Shell Size/Dimensions					
Shell Size		T	U	V	W
A,F,L	H	Max	Max	Max	Max
08	09	0.600 (15.2)	1.610 (40.9)	0.680 (17.3)	1.780 (45.2)
10	11	0.630 (16.0)	1.800 (45.7)	0.770 (19.6)	1.880 (47.8)
12	13	0.660 (16.8)	1.850 (47.0)	0.800 (20.3)	1.880 (47.8)
14	15	0.690 (17.5)	1.920 (48.8)	0.880 (22.4)	1.920 (48.8)
16	17	0.820 (20.8)	2.050 (52.1)	1.060 (26.9)	2.030 (51.6)
18	19	0.970 (24.6)	2.230 (56.6)	1.150 (29.2)	2.210 (56.1)
20	21	0.970 (24.6)	2.280 (57.9)	1.150 (29.2)	2.250 (57.2)
22	23	1.000 (25.4)	2.420 (61.5)	1.300 (33.0)	2.360 (59.9)
24	25	1.000 (25.4)	2.470 (62.7)	1.300 (33.0)	2.410 (61.2)
28	33	1.125 (28.6)	2.560 (65.0)	1.400 (35.6)	2.630 (66.8)
32	37	1.250 (31.8)	2.645 (67.2)	1.750 (44.5)	2.920 (74.2)

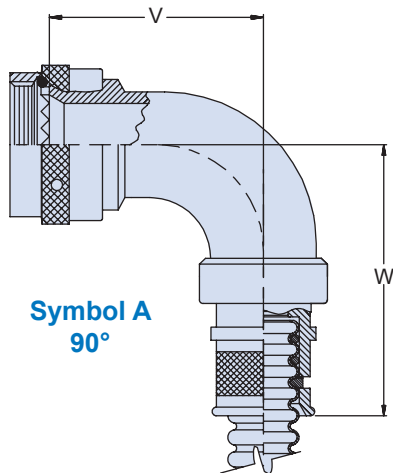


Table IV: Entry Code/Dimensions/Shrink Boot				
Entry Code	Ø D Max	Conduit I.D.		T Shrink Boot
		Min	Max	
06	.53 (13.5)	.16 (4.1)	.19 (4.8)	<a href="#">770-001S103</a>
09	.63 (16.0)	.24 (6.1)	.28 (7.1)	<a href="#">770-001S103</a>
12	.73 (18.5)	.33 (8.4)	.37 (9.4)	<a href="#">770-001S104</a>
16	.86 (21.8)	.45 (11.4)	.50 (12.7)	<a href="#">770-001S104</a>
20	.98 (24.9)	.57 (14.5)	.62 (15.8)	<a href="#">770-001S105</a>
24	1.15 (29.2)	.69 (17.5)	.75 (19.1)	<a href="#">770-001S106</a>
28	1.27 (32.3)	.81 (20.6)	.87 (22.2)	<a href="#">770-001S107</a>
32	1.40 (35.6)	.93 (23.6)	1.00 (25.4)	<a href="#">770-001S107</a>
36	1.53 (38.9)	1.07 (27.2)	1.13 (28.7)	<a href="#">770-001S107</a>
40	1.62 (41.1)	1.18 (30.0)	1.25 (31.8)	<a href="#">770-001S107</a>
48	1.98 (50.3)	1.45 (36.8)	1.50 (38.1)	<a href="#">770-001S108</a>
52	2.07 (52.6)	1.58 (40.1)	1.63 (41.4)	<a href="#">770-001S108</a>
56	2.14 (54.4)	1.70 (43.2)	1.75 (44.4)	<a href="#">770-001S108</a>

Table II: Finish		
Sym	Material	Finish Description
C	Aluminum	Anodize, Black (Non-conductive)
M		Electroless Nickel
MT		Nickel-PTFE
NF		Cad/Olive Drab over Electroless Nickel
UCR		Zinc Cobalt/Black
ZN		Zinc Nickel/Olive Drab over Electroless Nickel
ZNU		Zinc Nickel/Black over Electroless Nickel
Z1		Passivate
ZM	Stainless Steel	Electroless Nickel
ZMT		Nickel-PTFE
ZW		CAD O.D. over Electroless Nickel

# Mouser Electronics

Authorized Distributor

Click to View Pricing, Inventory, Delivery & Lifecycle Information:

## Glenair:

[712AS839NF2224](#) [712FS839M2240](#) [712FS839NF1616](#) [712HS839NF2116](#) [712HS839NF2532](#) [712HS839NF2540](#)  
[712FS839M1009](#) [712FS839NF2216](#) [712HS839M2332](#) [712AS839NF1412](#) [712AS839NF2009](#) [712AS839NF2016](#)  
[712AS839NF2440](#) [712FS839M1412](#) [712FS839M2224](#) [712FS839NF1006](#) [712FS839NF1016](#) [712FS839NF2032](#)  
[712HS839M1932](#) [712HS839M2324](#) [712HS839NF2316](#) [712HS839NF2324](#) [712FS839M2440](#) [712HS839M2512](#)  
[712FS839NF2009](#) [712FS839M0812](#) [712AS839M1606](#) [712AS839M1009](#) [712AS839M2216](#) [712AS839NF1416](#)  
[712HS839M1512](#) [712HS839NF0912](#) [712HS839NF2512](#) [712HS839NF2516](#) [712AS839M0812](#) [712AS839M1220](#)  
[712AS839NF1220](#) [712AS839NF2416](#) [712FS839M1216](#) [712HS839M1924](#) [712HS839M1316](#) [712AS839NF2024](#)  
[712HS839NF1309](#) [712AS839M1616](#) [712AS839M1406](#) [712FS839M1832](#) [712FS839NF2016](#) [712HS839M1306](#)  
[712HS839NF1924](#) [712HS839NF2340](#) [712AS839NF1824](#) [712HS839NF1716](#) [712HS839NF1524](#) [712AS839NF1612](#)  
[712AS839NF2212](#) [712FS839M1016](#) [712FS839M1616](#) [712FS839M2416](#) [712HS839M0906](#) [712HS839M1516](#)  
[712HS839M2116](#) [712HS839NF2124](#) [712HS839NF1506](#) [712HS839NF1724](#) [712FS839M1606](#) [712HS839NF1320](#)  
[712HS839NF1516](#) [712FS839M1624](#) [712HS839M1909](#) [712FS839M1809](#) [712AS839NF1009](#) [712AS839M1206](#)  
[712AS839M1832](#) [712AS839NF1606](#) [712AS839NF2032](#) [712FS839NF1206](#) [712FS839NF1624](#) [712HS839M2124](#)  
[712HS839NF1116](#) [712HS839NF1316](#) [712HS839NF2312](#) [712AS839M1816](#) [712AS839NF1006](#) [712FS839NF1009](#)  
[712AS839M2009](#) [712AS839NF1616](#) [712FS839M1209](#) [712FS839M1824](#) [712FS839M2432](#) [712FS839NF1216](#)  
[712HS839M1116](#) [712HS839M1706](#) [712AS839M2024](#) [712AS839M2440](#) [712AS839NF2412](#) [712FS839M2016](#)  
[712FS839NF0812](#) [712FS839NF2440](#) [712HS839M1320](#) [712HS839M1724](#)