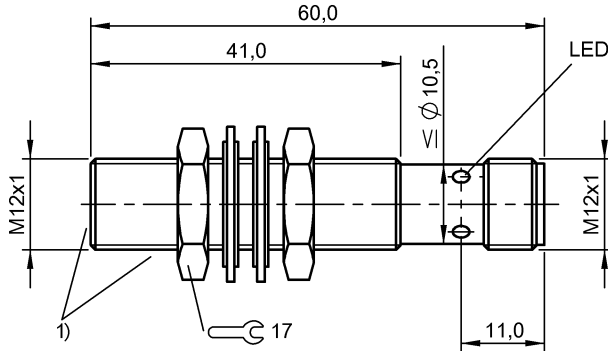


BES M12EG1-PSC60Z-S04G-S11
Ordering code: BES02WH

Inductive sensor
 Steelface
 M12x60 mm
 Pressure rated
 Long range

DC, direct current
 PNP/Normally open (NO)
 Sn= 6 mm
 Quasi embeddable
 ■■■



1) Area of pressure resistance

Characteristic data

Assured operating distance Sa	4,9
Eff. switching distance Sr	6 mm
Tolerance Sr	±10 %
Hysteresis H max. (in % of Sr)	15 %
Repeat accur. R max. (% of Sr)	5 %
Ambient temperature	-25...70 °C
Temp. drift max. (% of Sr)	10%
Switching freq. f max.	400 Hz
Ready delay tv max.	60 ms
Utilisation category	DC 13
Function indicator	Yes
Power indicator	No
Short-circuit protected	Yes
Protected against polarity reversal	Yes
Protected against miswiring	Yes
Enclosure Type per IEC 60529	IP67
Principle of operation	Inductive

Electrical data

Operating voltage	10...30 V DC
Ripple max. (% of Ue)	15
Rated operating voltage Ue DC	24 V
Voltage drop static max.	2 V
Rated insulation voltage Ui	75 DC
Effective operating current Ie	200 mA
No-load current Io damped max.	16 mA
Max. no-load cur. Io undamped	9 mA

Off-state current Ir max.	100 µA
Minimum operating current Im	0 mA
Rated short circuit current	100 A
Output resistance Ra	47.0k
Load capacitance max. (at Ue)	1 µF

Mechanical data

Connection type	Connector
Connector type	M12x1-S04
Housing material	Stainless steel
Sensing surface material	Stainless steel
Mounting length	41 mm
Pressure resistance	pressure-rated up to 80 bar
Shock rating	Shock, half-sinus, 30 gn, 11ms
Vibration rating	55 Hz, 1 mm ampl., 3x30 min
Degree of contamination	3
Tightening torque	10 Nm ±10%

Basic data

Basic standard	IEC 60947-5-2
----------------	---------------

Remarks

The sensor is functional again after the overload has been eliminated.
 When installing in metals the switching distance may be reduced by up to 50 %.
 See Installation Instruction 841020.
 Installation permitted only in clamp with no positive stop.
 LED flashes between 100% and approx. 70% of Sr
 With connector, e.g. BKS-S 20-... total length = switch length +18 mm.



BES M12EG1-PSC60Z-S04G-S11
Ordering code: BES02WH

Inductive sensor
Steelface
M12x60 mm
Pressure rated
Long range

DC, direct current
PNP/Normally open (NO)
Sn= 6 mm
Quasi embeddable
■■■

BALLUFF

sensors worldwide

