



Optical Encoders

SERIES 62AG Price Competitive Solution

FEATURES

- Over 1 million rotational cycles
- 2-bit gray code output
- Quadrature coding
- Available in 16, 20, 24 and 32 detent positions
- Choices of cable length and terminations
- Available for 5Vdc and 3.3Vdc
- Optional integrated pushbutton
- Patented light pipe technology
- Cost competitive with mechanical encoders at higher volumes

APPLICATIONS

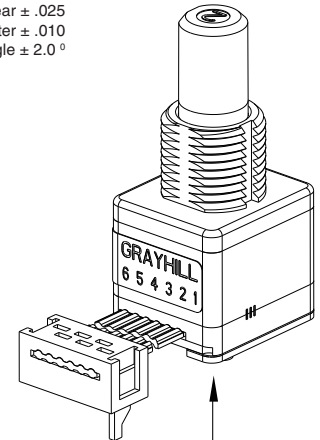
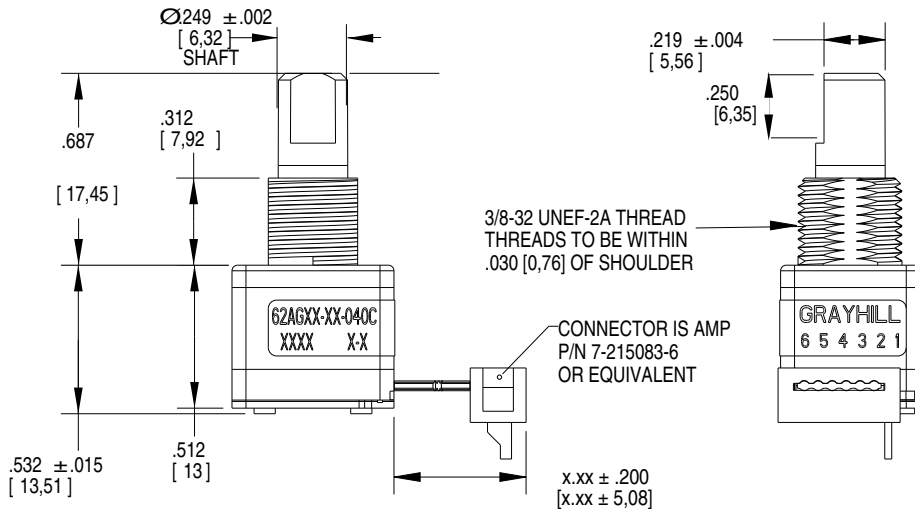
- Automotive
 - audio systems
 - navigation systems
- Medical
 - patient monitoring systems
- Test & Measurement
 - analyzers
 - oscilloscopes
- Audio & Video
 - consumer electronics
 - professional editing equipment



DIMENSIONS in inches (and millimeters)



Unless otherwise specified, standard tolerances are:
 Linear $\pm .025$
 Diameter $\pm .010$
 Angle $\pm 2.0^\circ$



NOTE: GRAYHILL ALLOWS MULTIPLE ORIENTATIONS FOR THE GRAYHILL TEXT ON THE BACKPLATE.



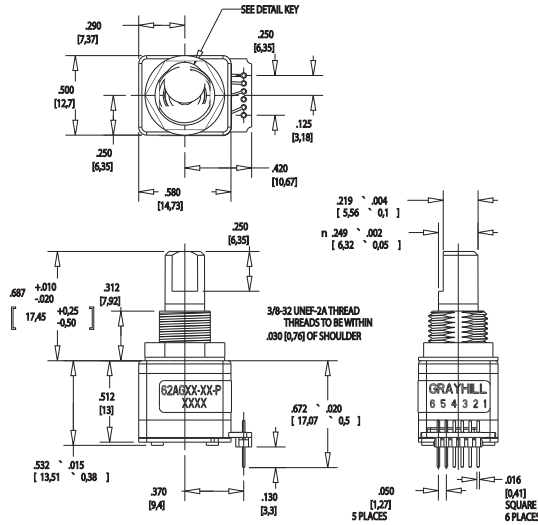
Suggested Mounting Panel Cutout

Optical and Mechanical Encoders

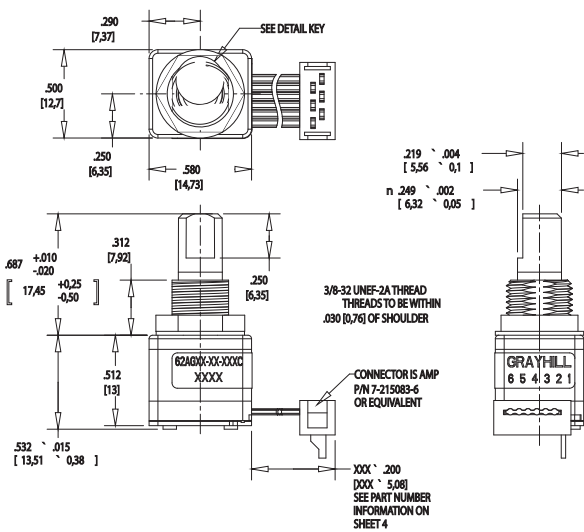


Optical Encoders

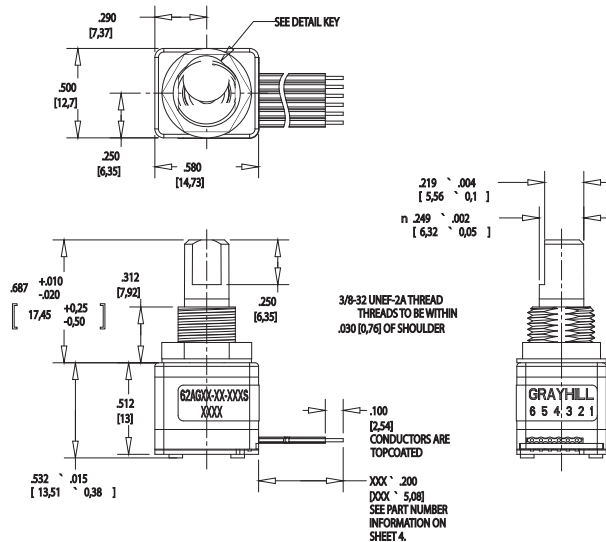
Termination Options



P - .050 Center Pins with 0.185 inch length



C - .050 Center Ribbon Cable with connector



S - .050 Center Ribbon Cable with .100 stripped end

Optical and Mechanical Encoders

WAVEFORM AND TRUTH TABLE

Standard 5.0V (Style AG)

Standard 3.3V (Style VG)

*10K Ω PULL-UP RESISTOR REQUIRED FOR OPERATION
**NOISE FILTERING CAPACITOR, LESS THAN 1000pf

WAVEFORM (CW ROTATION)

CW ROTATION

TRUTH TABLE (CW ROTATION)		
POSITION	OUTPUT A	OUTPUT B
1		
2	●	
3	●	●
4		●

BLANK = LOGIC LOW
● = LOGIC HIGH
CODE REPEATS EVERY FOUR POSITIONS.

SPECIFICATIONS

Environmental Specifications

Operating Temperature: -40°C to 85°C
Storage Temperature: -40°C to 85°C
Humidity: 96 hours @ 90-95% humidity @ 40°C
Mechanical Vibration: Harmonic motion with amplitude of 15g within a varied frequency of 10 to 2000 Hz for 12 hours
Mechanical Shock:
 Test 1: 100g for 6 ms half-sine wave with a velocity change of 12.3 ft/s.
 Test 2: 100g for 6 ms sawtooth wave with a velocity change of 9.7 ft/s.

Rotary Electrical and Mechanical Specifications

Operating Voltage:
 AG Style 5.00±0.25 Vdc
 VG Style 3.30±0.125 Vdc
Supply Current:
 AG Style 30 mA maximum
 VG Style 30 mA maximum
Logic Output Characteristics:
 AG Style - Logic high no less than 3.0 Vdc. Logic low shall be no greater than 1.0 Vdc.
 VG Style - Logic high no less than 2.0 Vdc. Logic low shall be no greater than 1.0 Vdc.
Output: Open Collector Phototransistor
Optical Rise Time: 30ms maximum.
Optical Fall Time: 30ms maximum.

Average Rotational Torque:

Low = 2.0±1.4 in-oz initially.
 High = 3.5±1.4 in-oz initially.
 50% of initial value after 1 million cycles.
Mechanical Life: 1,000,000 cycles of operation. 1 cycle is a rotation through all positions and a full return.
Mounting Torque: 15in-lbs. maximum
Shaft Pushout Force: 45 lbs. minimum
Terminal Strength: 15 lbs. Cable pull out force minimum
Solderability: 95% free of pin holes & voids
Maximum rotational speed: 100 rpm.

Pushbutton Electrical and Mechanical Specifications

Rating: 10 mA @ 5 Vdc
Contact Resistance: <10 Ω (Compatible with CMOS or TTL)
Life: 1 million actuations minimum
Contact Bounce: <4 ms make, <10ms break
Actuation Force: 5 = 510±150 grams, 9 = 950±200 grams
Shaft Travel: .017 ± .008 INCH

Materials and Finishes

Bushing: Zamak 2
Shaft: Zamak 2

Detent Rotor: Reinforced Nylon Zytel 70G33L UL 94
Detent Spring: 303 Stainless Steel

Housing, Upper: Nylon 6/6 25% glass reinforced. Zytel FR-50
Light Pipe: Lexan, GE
Code Rotor: Delrin 100
Housing, Lower: Nylon 6/6 25% glass reinforced. Zytel FR-50
Pushbutton Actuator: Reinforced nylon. Zytel 70G33L. UL 94
Pushbutton Dome: Stainless Steel
Printed Circuit Board: NEMA Grade FR4, Double clad with copper, Plated with gold over nickel
Infrared Emitting Diode: Gallium Arsenide
Phototransistor Diode: NPN Silicon
Resistor: Metal oxide on ceramic substrate
Spacer: Pet plastic
Backplate: Stainless Steel
Label: TT406 thermal transfer cast film.
Solder: 96.5% tin / 3% silver / 0.5% copper. No clean.
Hex Nut: Brass, Plated with nickel
Lockwasher: Zinc Plated Spring Steel with Clear Trivalent Chromate Finish
Cable: Copper Stranded with topcoat in PVC insulation
Connector (.050 center): PA4.6 with tin/nickel plated phosphor bronze.

Optical and Mechanical Encoders

62AGXX-XX-XXXX

Series
 Style: AG = 5.0V; VG = 3.3V
 Angle of Throw: 11 = 11.25° code change and 32 detent positions; 15 = 15° code change and 24 detent positions
 18 = 18° code change and 20 detent positions; 22 = 22.5° code change and 16 detent positions

Rotational Torque Option: L = Low Torque, H = High Torque, N = No Detent
 Pushbutton Option: 0 = No pushbutton, 5 = 510 grams, 9 = 950 grams

Termination:
 C = .050 Center Ribbon Cable with connector, S = .050 Center Ribbon Cable with .100 stripped end,
 P = .050 Center Pins with 0.185 inch length

Cable Length:
 020 = 2.0 inch cable, 040 = 4.0 inch cable, 060 = 6.0 inch cable

Available from your local Grayhill Distributor. For prices and discounts, contact a local sales office, an authorized distributor, or Grayhill.

Mouser Electronics

Authorized Distributor

Click to View Pricing, Inventory, Delivery & Lifecycle Information:

Grayhill:

[62AG11-L0-060C](#) [62AG11-L0-P](#) [62AG11-L5-060C](#) [62AG11-L5-P](#) [62AG22-L0-060C](#) [62AG22-L0-P](#) [62AG22-L5-040C](#) [62AG22-L5-060C](#) [62AG22-L5-P](#) [62AG18-L9-060C](#) [62AG11-L9-020C](#) [62AG22-H0-060C](#) [62AG18-H9-040C](#) [62AG18-L5-040C](#) [62AG18-L5-020C](#) [62AG22-H5-P](#) [62AG22-H0-P](#) [62AG18-L5-060C](#) [62AG18-H0-060C](#) [62AG18-L5-P](#) [62AG22-L5-020C](#) [62AG18-L9-060S](#) [62AG22-H5-020C](#) [62AG11-L5-020C](#) [62AG22-L0-040C](#) [62AG18-H5-040C](#) [62AG15-L0-020C](#) [62AG11-H0-060S](#) [62AG11-H0-060C](#) [62VG11-L5-020C](#) [62AG15-L5-040S](#) [62AG15-H0-020C](#) [62AG18-H5-020C](#) [62VG22-L9-040C](#) [62VG11-L0-040C](#) [62VG11-H9-040C](#) [62AG22-L5-060S](#) [62AG15-H0-040C](#) [62AG22-H9-060C](#) [62AG15-L5-020C](#) [62VG22-H9-040C](#) [62AG15-H5-020C](#) [62AG11-H5-040S](#) [62AG15-H5-040C](#) [62AG22-H0-020C](#) [62VG11-L0-060C](#) [62AG22-L9-040C](#) [62VG22-H9-060S](#) [62AG11-H9-060S](#) [62VG22-L9-020C](#) [62AG15-H9-060C](#) [62VG11-L9-040C](#) [62AG11-L9-060C](#) [62AG22-H9-040C](#) [62AG15-L9-060C](#) [62VG15-L5-040C](#) [62AG11-L0-020C](#) [62AG15-L9-040C](#) [62AG15-H5-060C](#) [62AG18-H0-040C](#) [62AG15-L5-060C](#) [62AG22-H5-060C](#) [62AG15-L0-040C](#) [62AG11-H5-020C](#) [62VG11-H0-060C](#) [62VG15-H5-040C](#) [62AG22-H9-020C](#) [62AG11-L5-040C](#) [62VG22-H9-020C](#) [62AG11-H5-060C](#) [62AG15-H9-040C](#) [62AG11-H9-020C](#) [62VG15-L5-020C](#) [62AG18-H9-060C](#) [62VG11-H0-040C](#) [62VG22-L5-020C](#) [62AG11-H9-040C](#) [62AG22-H0-040C](#) [62AG22-L9-020C](#) [62AG15-H9-020C](#) [62AG18-L9-020C](#) [62AG22-L5-040S](#) [62AG22-L9-060C](#) [62AG18-H9-020C](#) [62AG18-L0-040C](#) [62VG22-L9-060C](#) [62AG11-H9-060C](#) [62AG11-L0-040C](#) [62AG22-L0-020C](#) [62AG22-L0-060S](#) [62AG15-L5-040C](#) [62AG11-L9-040C](#) [62AG15-L9-020C](#) [62VG22-L5-040C](#) [62VG11-H9-P](#) [62VG11-L0-P](#) [62VG11-L5-P](#) [62VG15-H9-P](#) [62VG18-L5-P](#) [62VG15-H9-020C](#)