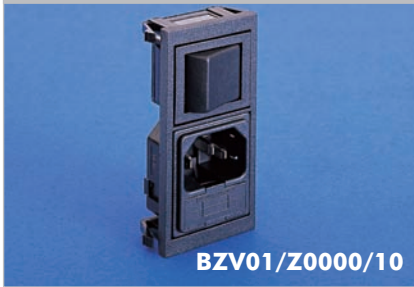
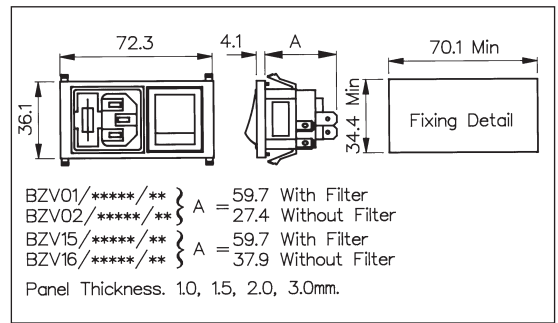


VERTICAL MODULE ARRANGEMENT



- Fused Inlet with 2.8mm or 6.3mm tags
- Double Pole Switch or Indicator Variations
- Filtered Inlet Option
- Options of I/O marked switches



How to Order

**BZV** xx / xxxxx / xx



Type of Inlet / Outlet	Filtered or Non Filtered Inlet	Combination of Other Components
Single Fused C14 Power Inlet (cold condition), 6.3 or 2.8mm tabs:  <b>01</b> = PF0011/63 <b>02</b> = PF0011/28  Twin Fused C14 Power Inlet (cold condition), 6.3 or 2.8mm tabs:  <b>15</b> = PF0033/63 <b>16</b> = PF0033/28	Z0000 = Non Filtered  Axxxx = Standard  Bxxxx = Medical (Twin Fuse Version only)  <div style="border: 1px solid black; padding: 5px; margin-top: 20px;">             For Filtered inlet use 6th to 9th characters from filter              ordering code see pages 127-129.               E.g. BZV01/<b>A0620</b>/10           </div>	Neon Indicator:  <b>D3</b> = Red Neon Indicator  Double Pole Switch:  <b>10</b> = D.P. Switch  Double Pole Neon Switch:  <b>11</b> = D.P. Red Neon Switch <b>12</b> = D.P. Green Neon Switch  Double Pole High Inrush Switch:  <b>13</b> = D.P. High Inrush Switch  Double Pole Switch Marked I/O:  <b>70</b> = D.P. Switch (I/O)  Double Pole Neon Switch Marked (I/O):  <b>76</b> = D.P. Red Neon Switch (I/O) <b>77</b> = D.P. Green Neon Switch (I/O)  Double Pole High Inrush Switch Marked (I/O):  <b>78</b> = D.P. High Inrush Switch (I/O) <b>B1</b> = D.P. High Inrush Green Neon Switch (I/O)

Note: For technical details of individual components please see page 106

# Mouser Electronics

Authorized Distributor

Click to View Pricing, Inventory, Delivery & Lifecycle Information:

[Bulgin:](#)

[BZV15/Z0000/13](#) [BZV01/Z0000/12](#) [BZV01/Z0000/13](#) [BZV01/A0620/10](#) [BZV01/A0620/13](#) [BZV15/Z0000/12](#)  
[BZV02/Z0000/10](#)