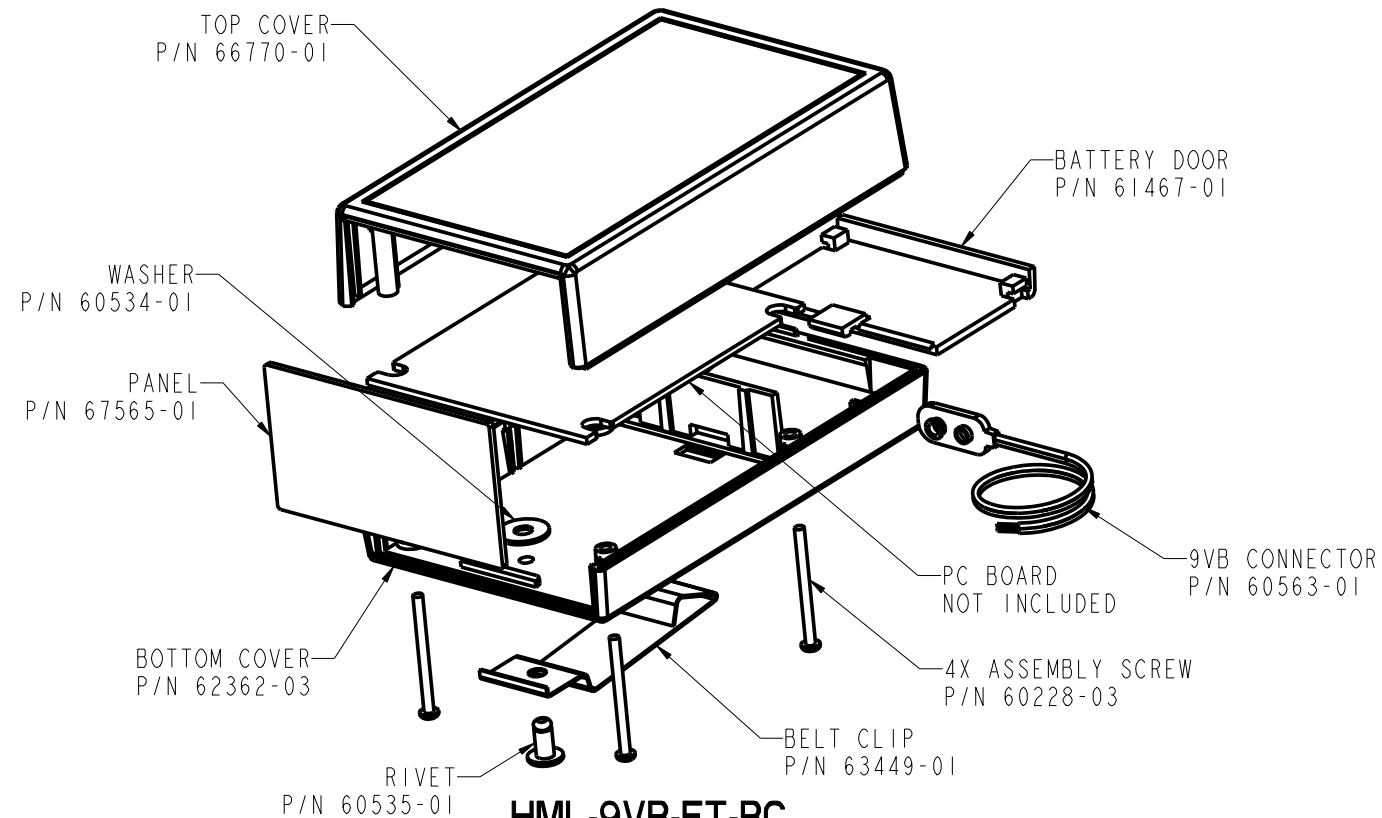
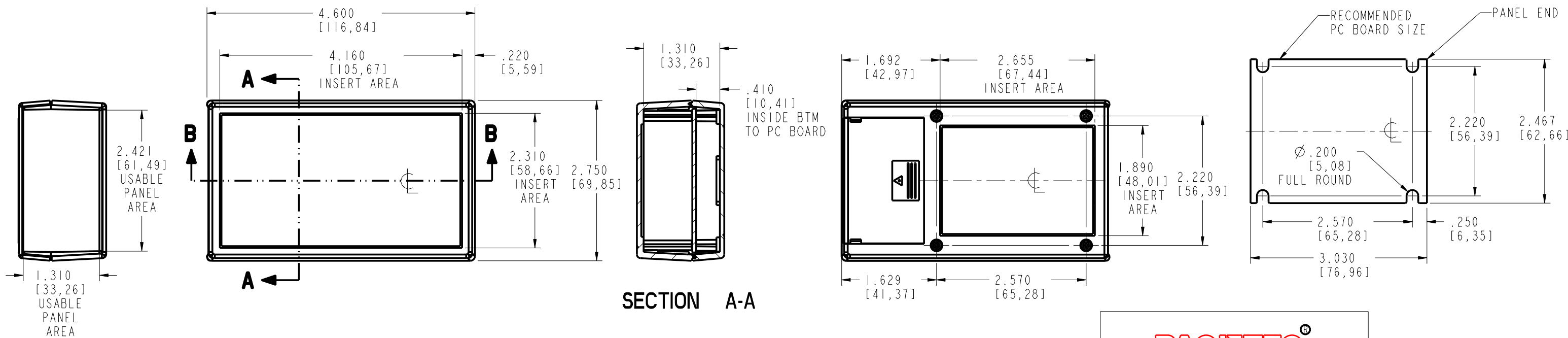


HML-ET-9VB

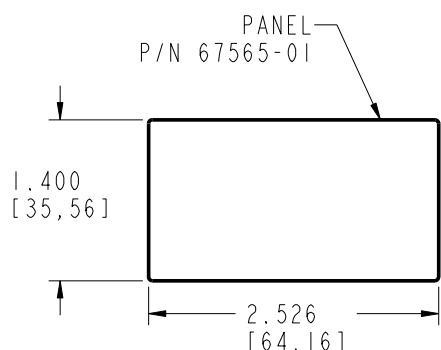


HML-9VB-ET-BC



SECTION A-A

SECTION B-B



PACINTEC[®]
1-610-361-4231

**HML-ET-9VB,
HML-9VB-ET-BC**

VISIT **PACINTEC**[®]
ON THE WORLD WIDE WEB
www.pactecenclosures.com

COLOR / MATERIAL CODE		
COLOR	94HB	94VO
BLACK	000	028
P. C. BONE	039	060

INSERT AREAS ARE SECTIONS IN OUT TOOLS THAT CAN BE REMOVED AND REPLACED WITH CUSTOMER SPECIFIC DETAILS

DRAWING NUMBER	REV
66825	B

Mouser Electronics

Authorized Distributor

Click to View Pricing, Inventory, Delivery & Lifecycle Information:

PacTec:

[67565-01-000 HML-9VB-ET, PBC Black](#) [115124-01-000 CN-XRL XRS](#)