

MA 522-500M Modular

Pitch: 5.00mm(0.197inch)

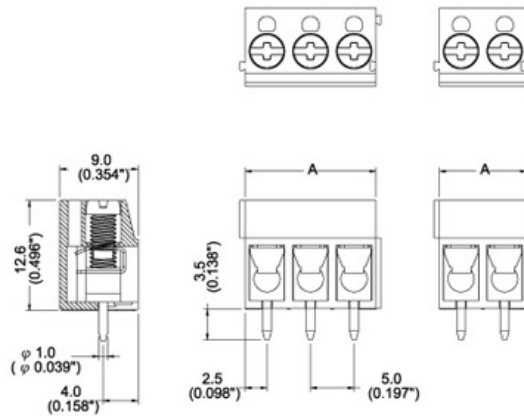


SPECIFICATIONS

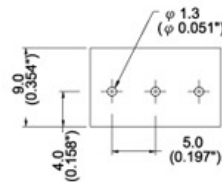
			CUL	VDE
負載電壓	Rated Voltage	Bemessungsspannung	AC 300V	AC 250V
負載電流	Rated Current	Bemessungsstrom	16A	16A
電線線徑	Wire Size	Leitergrößen	22~14AWG	0.2~2.5mm ²
塑膠本體	Housing Material	Isolierstofftyp	Polyamide66(UL94V-0)	
端子	Terminal	Stiftmateril	Brass, Tin plated	
彈片	Wire protector	Kable schutzeinrichtung	Phosphor bronze, Tin plated	
螺絲	Screw Size	Schraubengewinde	M3.0, steel, Zinc plated	
操作溫度	Operating Temperature	Umgebungstemperatur	-40°C to + 105°C	
扭力	Torque	Anzugsmoment	4.0 lb-inch	
PC板孔徑	PCB Hole Diameter	Lochdurchmesser	φ 1.3mm	
UL File No.	E167040			

TABLE

Item No.	A(mm)	A(inch)
MA522-500M02	10.0	0.394
MA522-500M03	15.0	0.591



PCB Layout



Note:

Screw Plating: Changes are available upon request