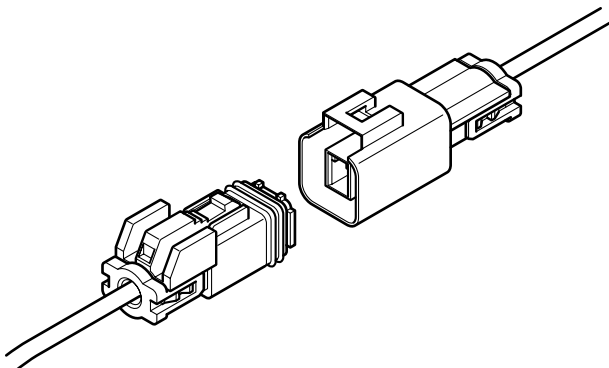


MWVP CONNECTOR

Crimp style wire-to-wire connectors



Water-proof wire-to-wire connector for electric power supply



Features

- **Low insertion force contact**

The low insertion force contacts reduce surface finish wear and reduce the effects of stress relaxation.

- **Housing lance**

The resilient plastic housing lances secure the contacts in the housings. Since the lances are in the housings rather than on the contacts, they are not affected by handling, and allow the contacts to be lightly inserted without undue force. This establishes a feeling of uniform insertion and a noticeable change in that feeling when insertion is completed.

- **Inter-housing lock**

This inter-housing lock secures the plug to the receptacle and prevents accidental disconnection. The lock is protected and is not affected by external forces that might result from the routing of wires.

- **Slider locking mechanism**

After the contact has been mounted into the housing and the slider has been locked, the wire is then sealed, preventing water ingress.

- **Interchangeability**

The same contact is used for the SL and HL series connectors.

Specifications

- Current rating: 7.0A AC, DC max
 - Voltage rating: 300V AC, DC max
 - Temperature range: -40°C to +105°C
(including temperature rise in applying electrical current)
 - Contact resistance: Initial value/7m Ω max.
After environmental testing/10m Ω max.
 - Insulation resistance: 1,000M Ω min.
 - Withstanding voltage: 1,500V AC/minute
 - Applicable wire: AWG #26 to #18
Insulation O.D. / 2.1 to 2.5mm (.083" to .098")
- * Contact JST for details.

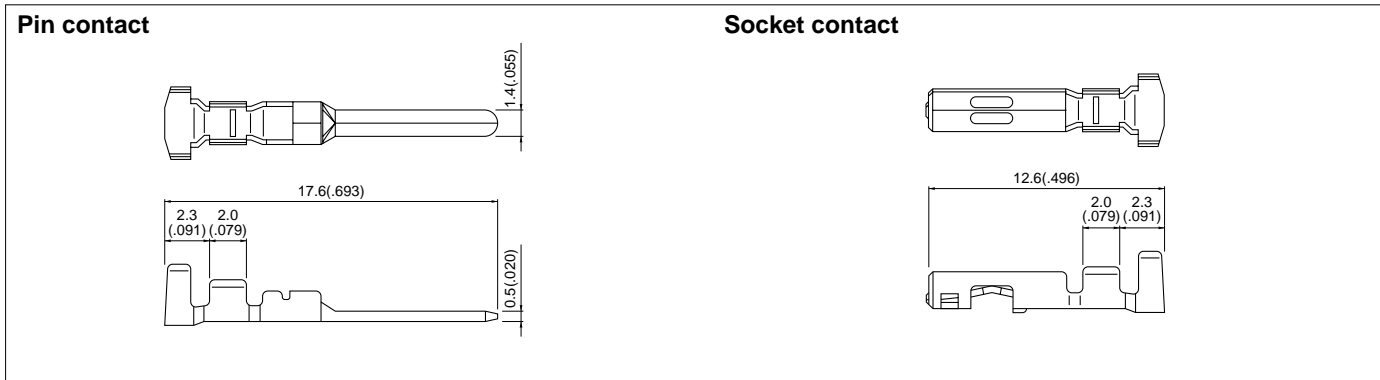
■ The current rating differs depending on the number of circuits and the wire size used in each connector. The table below lists the current rating as a function of the number of circuits and the wire size.

Current unit : A

Circuits	Wire size(AWG)				
	#18	#20	#22	#24	#26
1	7	5	4	3	2

MWP CONNECTOR

Contact



Model No.		Applicable wire			Q'ty/reel
Pin contact	Socket contact	mm ²	AWG #	Insulation O.D.mm(in)	
SSM-01T-P1.4	SSF-01T-P1.4	0.13 to 0.5	26 to 20	2.1 to 2.5(.083 to .098)	6,000
SSM-21T-P1.4	SSF-21T-P1.4	0.3 to 0.75	22 to 18	2.1 to 2.5(.083 to .098)	

Material and Finish

Phosphor bronze, tin-plated

Note: Contact JST for special products.

Housing

Circuits	Voltage rating	Current rating	Receptacle housing (for Socket contact)		Plug housing (for Pin contact)	
			Model No.	Q'ty/box	Model No.	Q'ty/box
1	300V	7.0A	01R-MWPV-SSRR 	2,240	01P-MWPV-SSR 	1,920

Assembly layout

