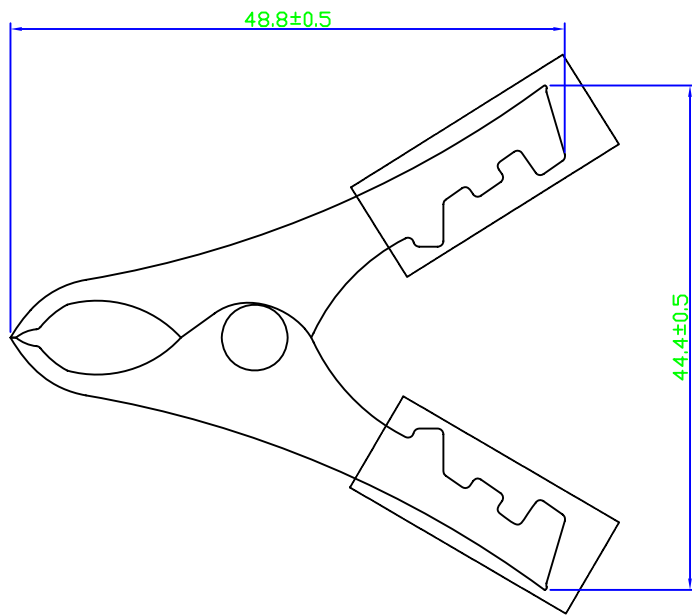


RoHS
Compliant
Drawing For
Reference Only



Technical requirement :

1. This product should meet EU RoHS related requirement.
2. The surface of plastic part should be without any crackle such as burr,lack,and so on phenomenon.
3. The surface of metal part should be without any defect such as scaur,nick,oxidation and plating problem.
4. The electronic performance should be the same as spec.
5. The un-specified tolerance is : <math>< 6\pm 0.1</math>
 $6\sim 20\pm 0.2$
 $> 20\pm 0.3$

DCI DRAGON CITY INDUSTRIES LIMITED

| | | | | | | | | |
|-----------|------------------|-------------|----------|-----------|--------|--|-------------|------------|
| | | | Design | K.W Law | Remark | | Scale | |
| | | | Drawing | W.K Yeung | Remark | | Material | |
| Item Name | Battery Clip 15A | Tolerance : | Check | K.L Wong | Remark | | Drawing No. | 90417-1108 |
| Item No. | AG-B15-202 | Unit : mm | Approval | K.W Chan | Remark | | Sheet | |