



Product designation				Panel m. color glcd mult., Ethernet
Product type designation				DMG8000
Type				Three-phase + neutral + earth
Auxiliary supply Us				
Auxiliary rated supply voltage AC	VAC	100...240		
Auxiliary rated supply voltage DC	VDC	110...250		
Auxiliary operating voltage range				
AC	min	VAC	90	
	Max	VAC	264	
DC	min	VDC	100	
	Max	VDC	300	
Operational frequency	min	Hz	45	
	max	Hz	66	
Power consumption	Max	VA	15	
Power dissipation Max		W	6	
Measuring voltage inputs				
Rated voltage (Ue)	phase-phase	VAC	600	
	phase-neutral	VAC	347	
Operating voltage range	phase-phase	VAC	40...830	
	phase-neutral	VAC	5...480	
Voltage inputs operational frequency	min	Hz	45 and 360	
	max	Hz	66 and 440	
Voltage inputs measurement method	True RMS			
Connection method	Single. Two. Three-phase with or without neutral. Balanced three- phase system. Three-phase ARON.			
Current inputs				
Rated current (Ie)	A	1A/5A		
Measurement range	0.004...6			
Measurement method	TRMS			

Overload capacity		+20% Ie by external CT with 5A secondary
-------------------	--	--

Overload peak	A	120A for 0.5s
---------------	---	---------------

Accuracy

Measurement conditions (T +23°C ±1°C / Rel. Humidity 45 ±15% R.H.)

		Class 0.2 (IEC/EN 61557-12), V:50-480V~
VLN voltage		Class 0.2 (IEC/EN 61557-12), V:87-830V~
VLL voltage		Class 0.2 (IEC/EN 61557-12), In:5A~
current		Class 0.02 (IEC/EN 61557-12)
frequency		Class 0.5 (IEC/EN 61557-12)
active power		Class 1 (IEC/EN 61557-12)
reactive power		Class 0.5s (IEC/EN/BS 62053-22)
active energy		Class 1 (IEC/EN 62053-24)
reactive energy		Class 5 (IEC/EN 61557-12)
THD		Class 5 (IEC/EN 61557-12)
2nd 15th order harmonics		Class 5 (IEC/EN 61557-12)

Insulations

Rated insulation voltage Ui IEC/EN	V	600
Rated impulse withstand voltage Uimp	kV	9.6
Operating frequency withstand voltage	kV	5.4

Mechanical features

Housing type	Xantar RAL 7035		
Terminals type	Removable		
Conductor cross section	min	mm ²	0.2
	Max	mm ²	2.5
	min	AWG	24
	Max	AWG	12

Tightening torque (Max)	Nm	0.5
	lbin	4.5

Fixing	Flush-mounting		
Weight	g	420	

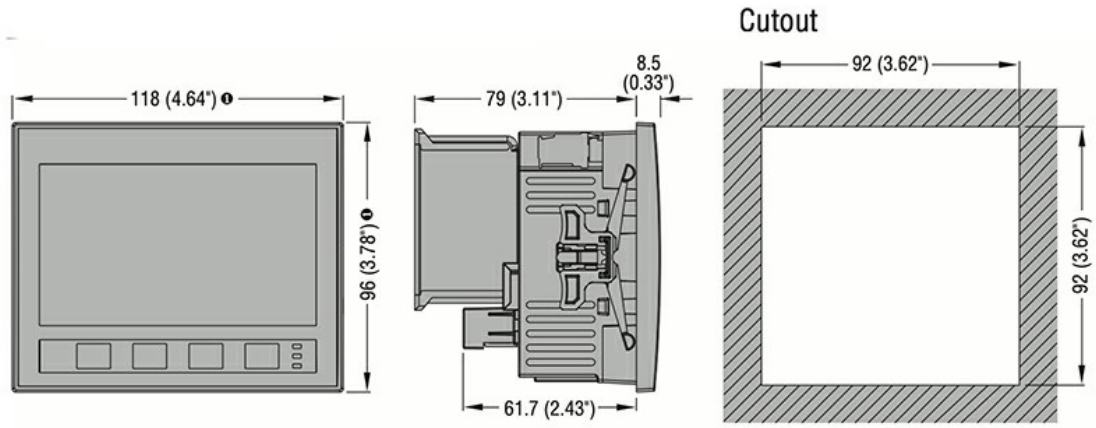
Ambient conditions

Temperature			
Operating temperature			
	min	°C	-20
	max	°C	+60
Storage temperature			

POWER ANALYZER WITH WIDESCREEN COLOUR LCD. AUXILIARY SUPPLY 100...240VAC.
EXPANDABLE WITH 3 EXP... MODULES, BUILT-IN ETHERNET PORT, DATA MEMORY FOR
LOGGING, COMPATIBLE WITH EASY BRANCH POWER MONITORING SYSTEM

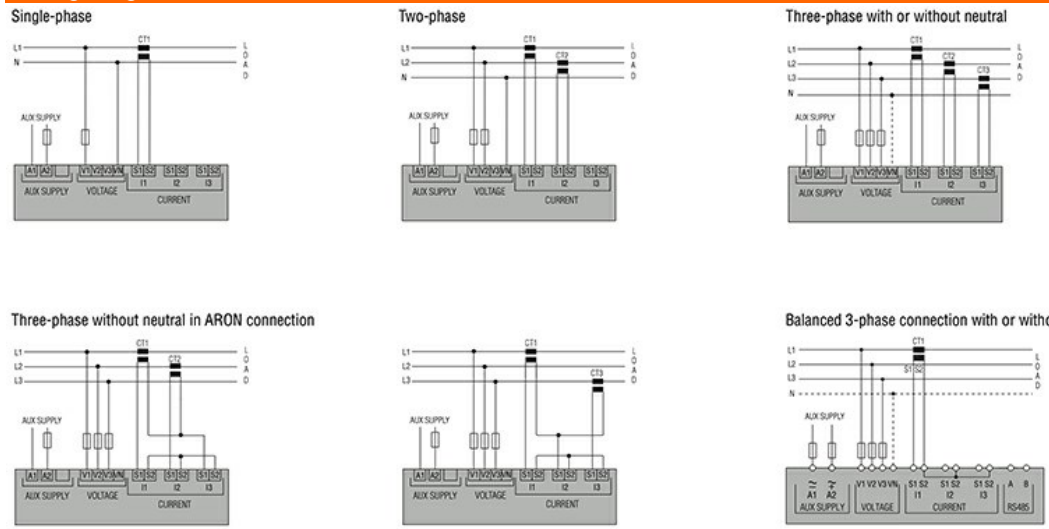
	min	°C	-30
	max	°C	+80
Relative humidity		%	<80
Maximum Pollution degree			2
Protection degree			IP65

Dimensions



① Dimensions with gasket: 122x100mm/4.80x3.94"

Wiring diagrams



CODE	AUX SUPPLY
DMG100-110-200-210-300	100...240VAC 110...250VDC
DMG6...	100...440VAC 110...250VDC
DMG7000-7500-8000-9000	100...240VAC 110...250VDC



Certifications and compliance

Compliance

IEC/EN/BS 61000-6-2
IEC/EN/BS 61000-6-4
IEC/EN/BS 61010-1

Certificates

CE
EAC
UKCA

ETIM classification

ETIM 8.0

EC002301 -
Multifunction
measuring
instrument