

	DATE	21-05-2021	SPECIFICATION	Changzhou Cre-sound Electronics Co., Ltd
	PAGE	1/8		www.cre-soundbuzzer.com
	Version	A/1		www.wj-lianhua.com
<i>MODEL NAME: LET8530DS-03L-2.7-16-R</i>				



SPECIFICATION FOR APPROVAL


SMD ELECTRO-MAGNETIC TRANSDUCER

Model Name	LET8530DS-03L-2.7-16-R
Note	

CUSTOMER	Cre-sound
Customer name / Stamp / Sign / Date	DRAWN: 周文占
	CHECKED: 许海
	APPROVED: 宋雪琪

	DATE	21-05-2021	SPECIFICATION	Changzhou Cre-sound Electronics Co., Ltd
	PAGE	2/8		www.cre-soundbuzzer.com
	Version	A/1		www.wj-lianhua.com
MODEL NAME: LET8530DS-03L-2.7-16-R				

Alteration History					
Change NO.	Note	Before of changes	After of changes	Reason	Revision
D20210315013	1	1.LET8530-16 载带 (透明)  2.内箱: 34.5×34.5× 2.5 (三层箱) 外箱: 35×32× 36.5/10 卷 (美卡箱)	1. LET8530-24 载带 (透明)  2.内箱: 34.5×34.5 ×3.7 (三层箱) 外箱: 42×35.5× 36.5/10 卷 (美卡箱)	1、由于 LET85 系 列 16 宽编带太 窄, 编带边缘不平 整, 编好产品后上 带的拉力和压力 不稳, 容易漏产 品, 故变更为 24 宽载带; 2、由于编带改宽, 内外箱等包装需 作相应变更	黄园 2021.05.21

	DATE	21-05-2021	SPECIFICATION	Changzhou Cre-sound Electronics Co., Ltd
	PAGE	3/8		www.cre-soundbuzzer.com
	Version	A/1		www.wj-lianhua.com
MODEL NAME: LET8530DS-03L-2.7-16-R				

SMD ELECTRO-MAGNETIC TRANSDUCER

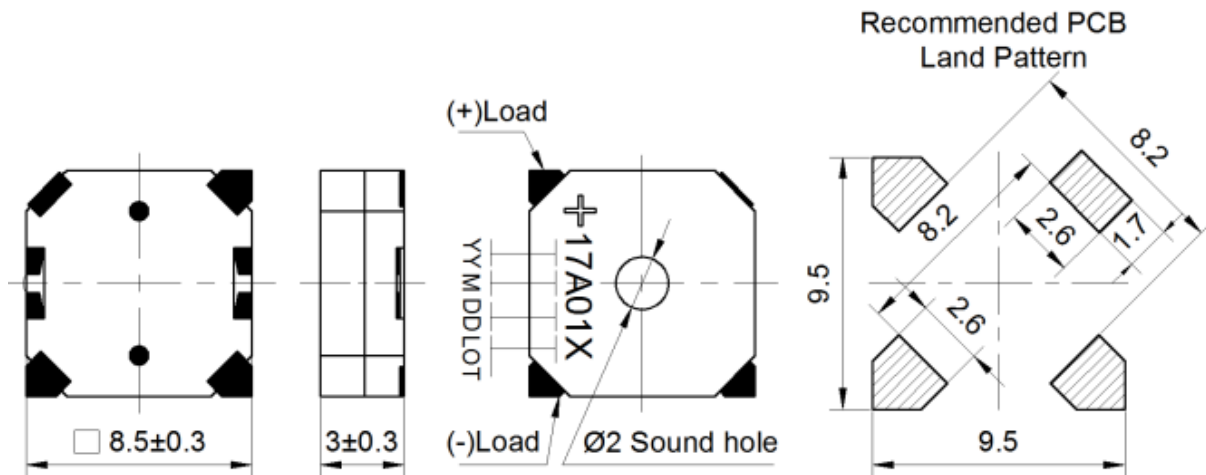
1	Model No.	LET8530DS-03L-2.7-16-R
2	Rated Voltage (V)	3
3	Operating Voltage (V)	2~5
4	☆Coil Resistance (Ω)	16±3
5	Resonant Frequency (Hz)	2700
6	☆*Sound Output at 10cm (dB)	≥85
7	☆*Current Consumption (mA)	≤80
8	Operating Temperature (°C)	-40~+105
9	Storage Temperature (°C)	-40~+120
10	Weight (g)	0.5
11	Case material and colour	LCP / Black

*Applying rated voltage (Resonant frequency, 1/2 duty, Square wave)

☆Test Basic State: Temp(20±2°C), Humidity(40~70%RH), Air pressure(860~1060hPa).

DIMENSIONS (UNIT: mm)


Tolerance: ±0.5mm Except Specified



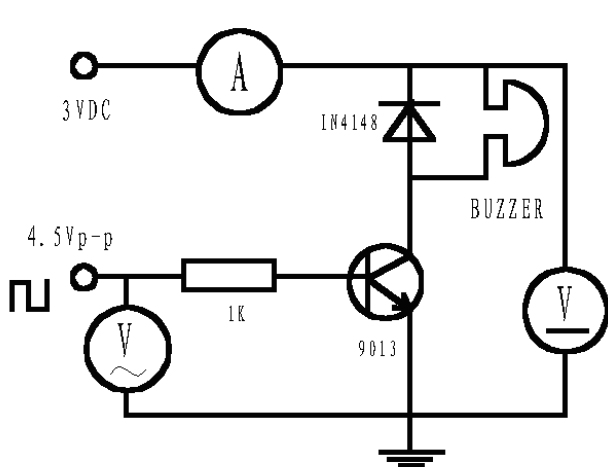
Changzhou Cre-sound Electronics Co., Ltd

Tel: +86-519-86321175; Fax: +86-519-86702455

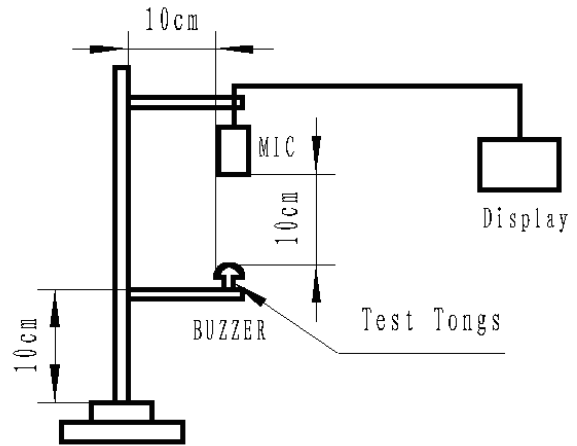
E-mail: sales3@wj-lianhua.com

	DATE	21-05-2021	SPECIFICATION	Changzhou Cre-sound Electronics Co., Ltd
	PAGE	4/8		www.cre-soundbuzzer.com
	Version	A/1		www.wj-lianhua.com
	<i>MODEL NAME: LET8530DS-03L-2.7-16-R</i>			

TEST METHOD:

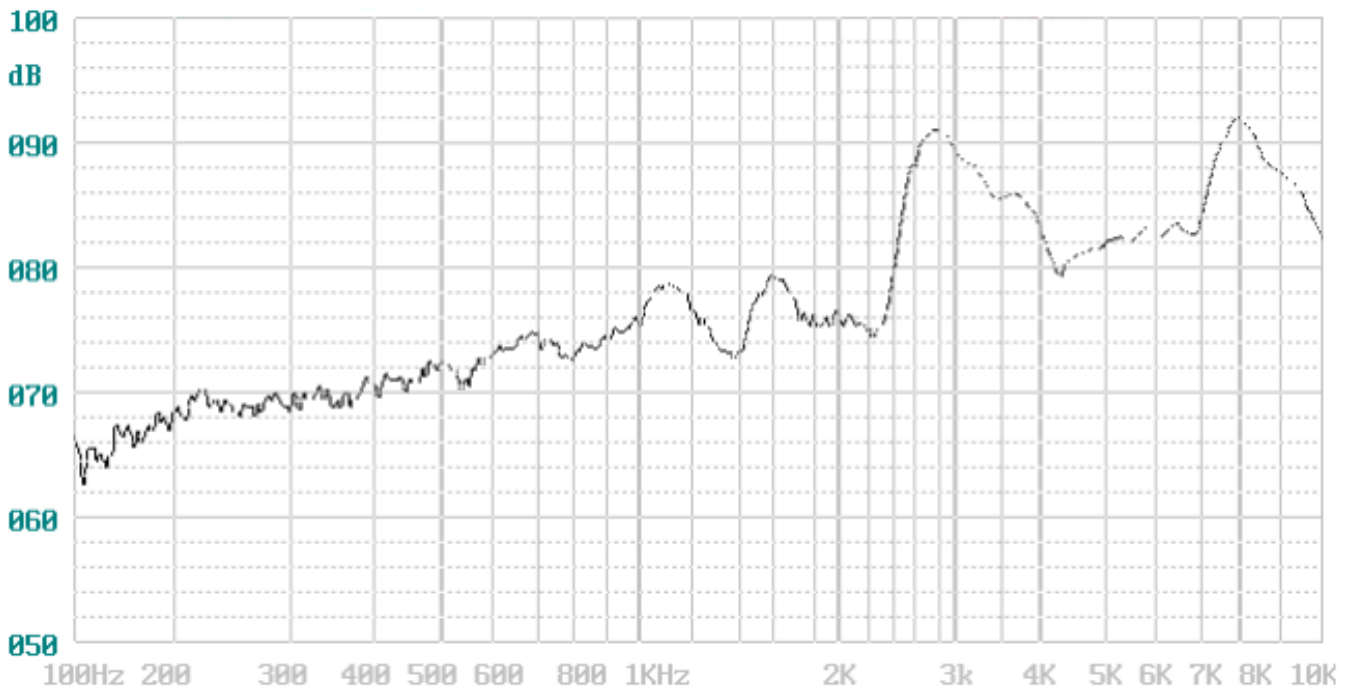



Test Circuit



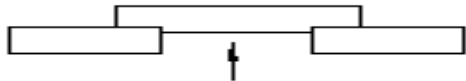
Test Equipments

FREQUENCY RESPONSE:



	DATE	21-05-2021	SPECIFICATION	Changzhou Cre-sound Electronics Co., Ltd
	PAGE	5/8		www.cre-soundbuzzer.com
	Version	A/1		www.wj-lianhua.com
	<i>MODEL NAME: LET8530DS-03L-2.7-16-R</i>			

RELIABILITY TEST:


NO.	ITEM	TESTING CONDITION	VARIANCE AFTER TEST
1	High temp. storage	The part shall be capable of withstanding a storage temperature is +120°C for 120 hours	After being placed for 2 to 4hrs at room temp, the product shall meet specifications, except the SPL should be in ±10dB compared with initial one.
2	Low temp. storage	The part shall be capable of withstanding a storage temperature is -40°C for 120 hours	
3	Temp. Cycle	Total 5 cycles, 1 cycle consisting of -40±2°C, 30 minutes 20±5°C 15 minutes 120±2°C, 30 minutes 20±5°C 15 minutes	
4	Humidity Test	40±2°C, 90~95% RH, 120 hours	
5	Vibration Test	To-and-fro. sweep time (from 10 to 55 Hz and then 55 to 10Hz) under single amplitude of 1.52mm is 1 minute. The vibration test shall consist of 2 hours per plane in each three mutually perpendicular planes for a total time of 6 hours.	The SPL shall meet specification.
6	Shock	Sounder shall be measured after being applied shock (980m/s ²) for each three mutually perpendicular directions to each of 3 times by half sine wave.	After the test, the product shall meet specifications, except the SPL should be in ±10dB compared with initial one.
7	Drop Test	The part only shall be dropped from the height of 70cm onto 10mm thick wooden board each 3 times in 3 axial directions(x,y&z) (a total of 9 times).	After the test part shall meet specifications without any degradation in appearance and performance.
8	Lead pull	The part shall be pushed with a force of 9.8N for 10±1 seconds behind the part. 	The SPL shall meet specification.
9	Recommended temp. Profile for Reflow Oven	Shown in Fig.1	

Warranty: For a period of one year from date of manufacture under normal operations.

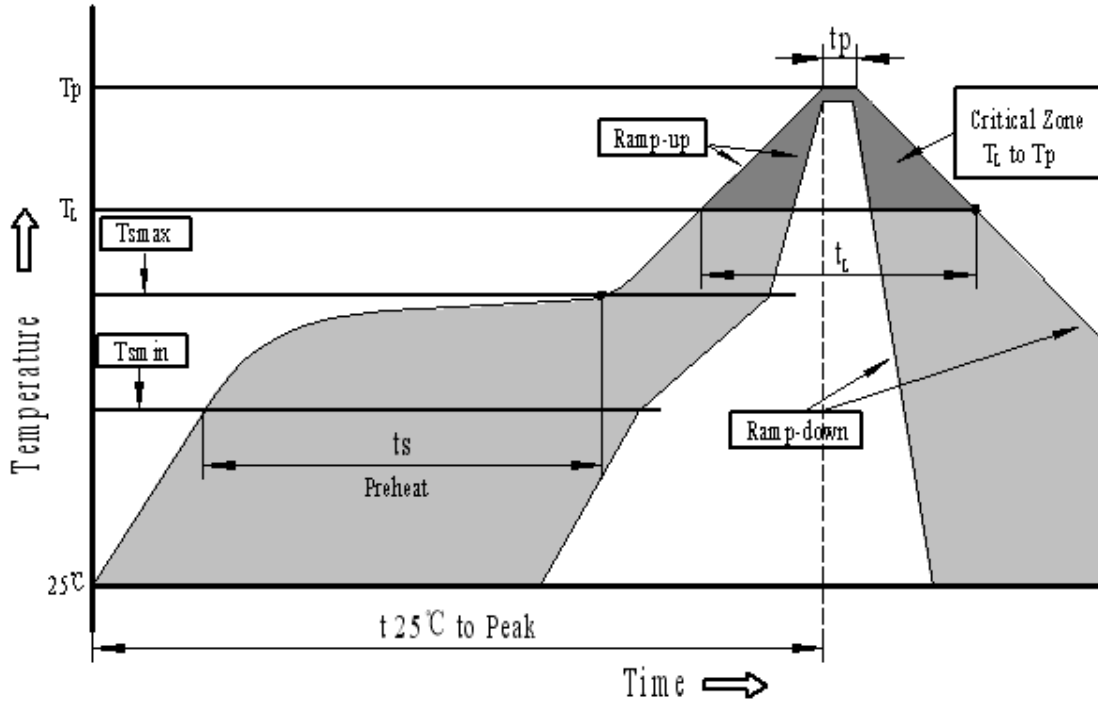
Changzhou Cre-sound Electronics Co., Ltd

Tel: +86-519-86321175; Fax: +86-519-86702455

E-mail: sales3@wj-lianhua.com

	DATE	21-05-2021	SPECIFICATION	Changzhou Cre-sound Electronics Co., Ltd
	PAGE	6/8		www.cre-soundbuzzer.com
	Version	A/1		www.wj-lianhua.com
<i>MODEL NAME: LET8530DS-03L-2.7-16-R</i>				

Recommended Temp. Profile for Reflow Oven (Fig.1)




Profile Feature	Pb-Free Assembly
Average ramp-up rate(T_L to T_p)	3°C/second max.
Preheat	
-Temperature Min.(T_{smin})	150°C
-Temperature Min.(T_{smax})	200°C
-Temperature Min.(t_s)	60~180 seconds
T_{smax} to T_L	
-Ramp-up Rate	3°C/second max.
Time maintained above:	
- Temperature(T_L)	217°C
-Time(t_L)	60~150 seconds
Peak temperature(T_p)	250°C +0/-5°C
Time within 5°C of actual Peak temperature (t_p)	6 seconds max.
Ramp-down Rate	6°C/second max.
Time 25°C to Peak Temperature	8 minutes max.

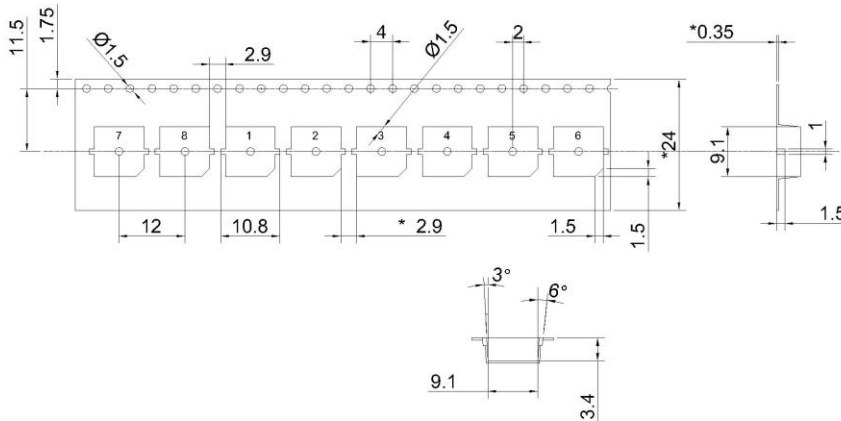
Changzhou Cre-sound Electronics Co., Ltd

Tel: +86-519-86321175; Fax: +86-519-86702455

E-mail:sales3@wj-lianhua.com

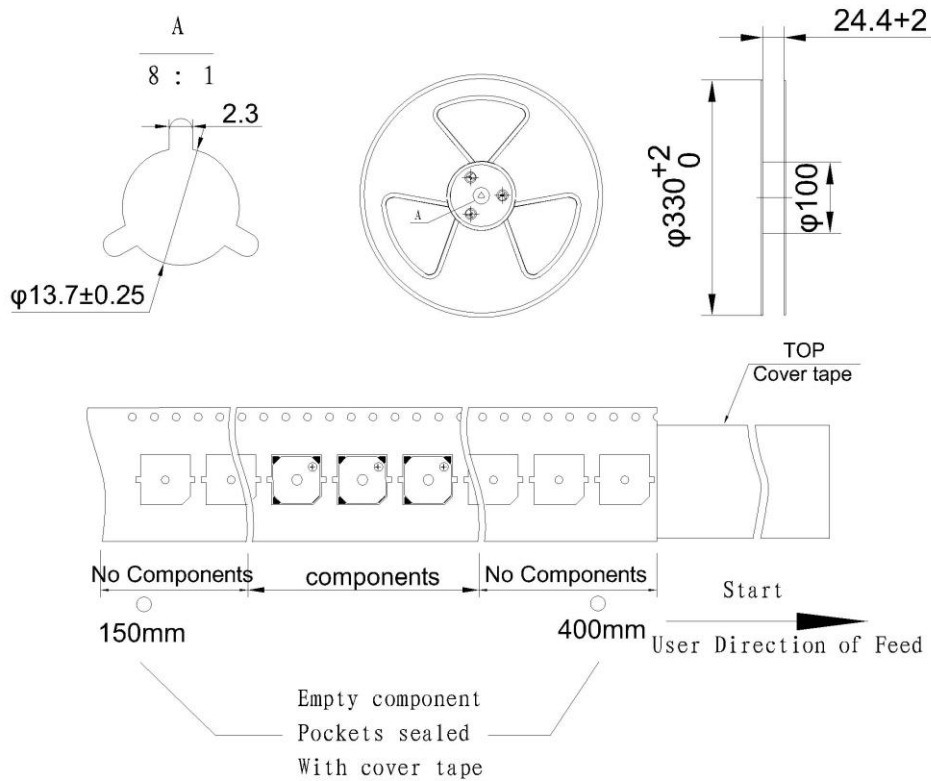
	DATE	21-05-2021	SPECIFICATION	Changzhou Cre-sound Electronics Co., Ltd
	PAGE	7/8		www.cre-soundbuzzer.com
	Version	A/1		www.wj-lianhua.com
MODEL NAME: LET8530DS-03L-2.7-16-R				

PACKING:




NOTE:

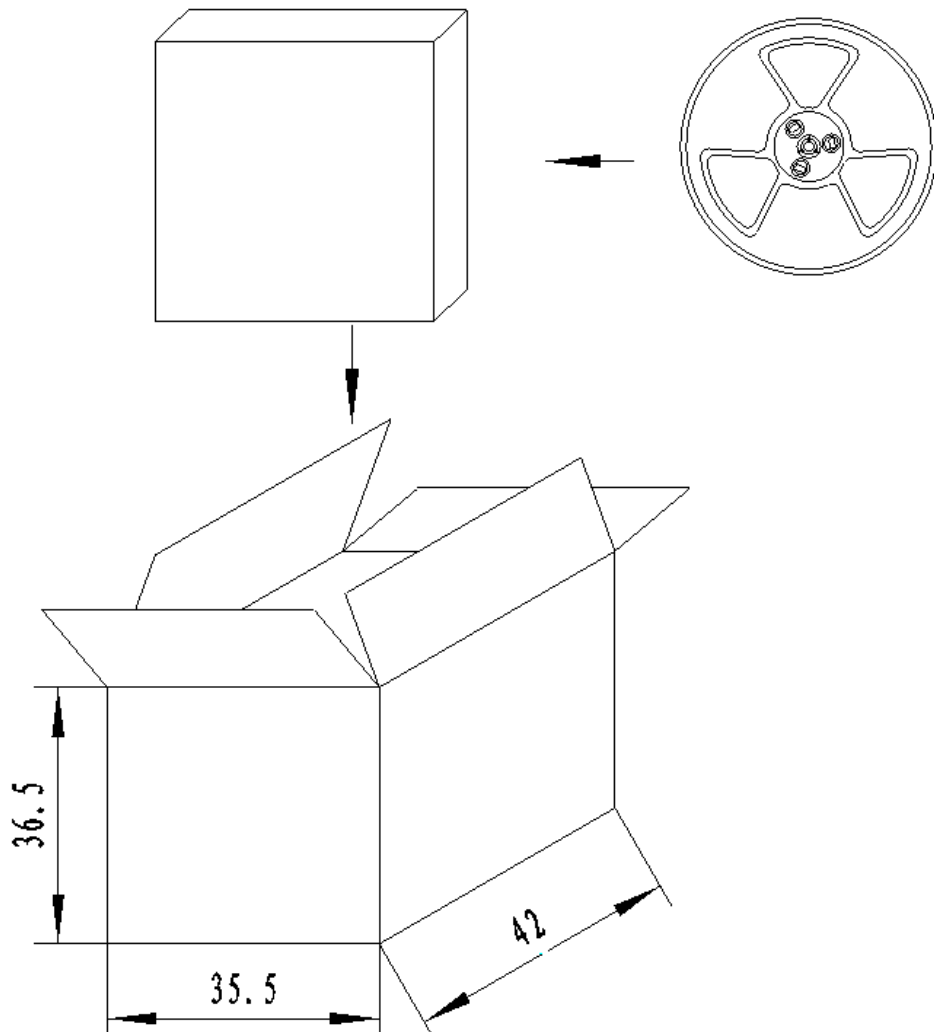
- 1.10 sprocket hole pitch cumulative tolerance $\pm 0.20\text{mm}$.
2. All dimensions meet EIA-481-D requirements.
3. Thickness: $0.35 \pm 0.05\text{mm}$.
4. Component loaded per 13.3" reel: 1000 pcs.



Changzhou Cre-sound Electronics Co., Ltd
 Tel: +86-519-86321175; Fax: +86-519-86702455
 E-mail: sales3@wj-lianhua.com

	DATE	21-05-2021	SPECIFICATION	Changzhou Cre-sound Electronics Co., Ltd
	PAGE	8/8		www.cre-soundbuzzer.com
	Version	A/1		www.wj-lianhua.com
	<i>MODEL NAME: LET8530DS-03L-2.7-16-R</i>			

PACKING:



NOTES:

- 1.1000 PCS per box
- 2.Total 10 boxes per carton
- 3.Total 10000 PCS carton

Changzhou Cre-sound Electronics Co., Ltd
 Tel: +86-519-86321175; Fax: +86-519-86702455
 E-mail:sales3@wj-lianhua.com