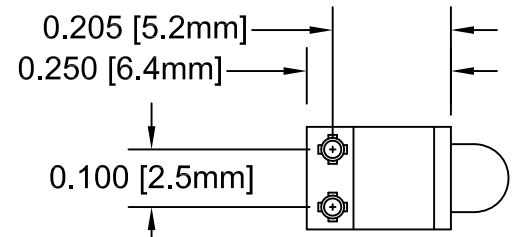
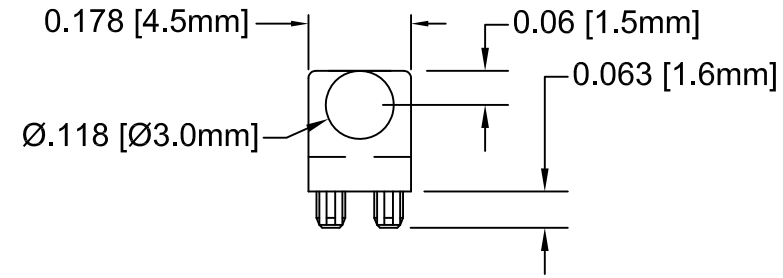
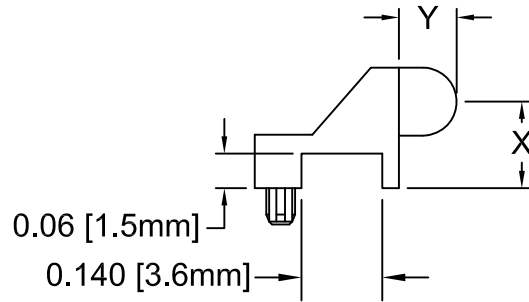
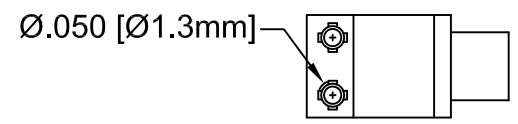


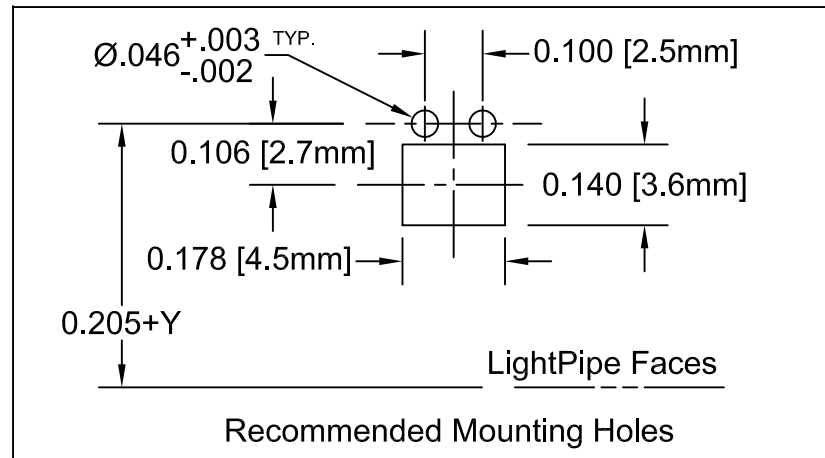
| REV. | DESCRIPTION | DATE | APPROVED |
|------|--|----------|----------|
| F | Added P/Ns onto Offering List | 10/31/13 | G. W. |
| G | Edit Dimension Typo on Part Offering List, P.3 | 11/25/13 | G. W. |
| H | Added Color Options, Sheet #4 | 02/02/16 | J. C. |
| J | Added SLP3-350-200-F & SLP3-350-350-F, P.2 | 08/25/16 | J. C. |
| K | Created MFG Drawing | 07/29/21 | A.V. |



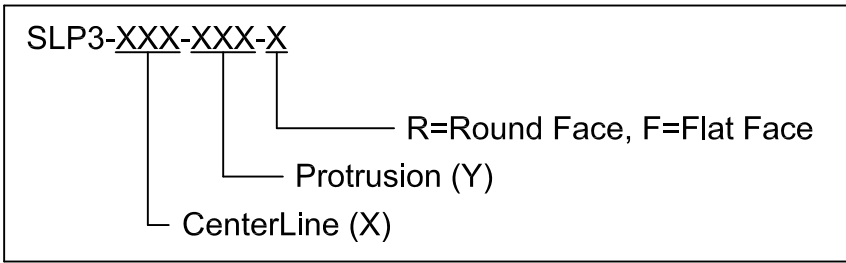
SLP3-XXX-XXX-R
ROUND FACE



SLP3-XXX-XXX-F
FLAT FACE




PART NUMBER DESIGNATION



3. ALL DIMENSIONS IN INCHES UNLESS OTHERWISE SPECIFIED
2. MATERIAL: POLYCARBONATE, 94V-0, CLEAR.
1. GENERAL SPECIFICATIONS: BIVAR MOLDED COMPONENT SPECIFICATION BV00-E101.

CUSTOMER USE DRAWING

| | | | |
|---|-------------------|---|----------------|
| STANDARD TOLERANCE (UNLESS OTHERWISE SPECIFIED) | |  4 THOMAS, IRVINE, CA. 92618 TEL: (949) 951-8808 FAX: (949) 951-3974 | |
| DECIMALS | ANGULAR | | |
| .X ±.1 | X° ±1° | TITLE: LIGHT PIPE 90° VARIABLE CENTERLINE | |
| .XX ±.01 | | | |
| .XXX ±.005 | | | |
| DESIGNED: M. CHEN | DATE: 04/14/03 | PART NO: SLP3-XXX-XXX-X | REVISION: K |
| REVISED: K. BARON | DATE: 07/29/21 | CAGE CODE: 32559 | |
| CHECKED: A. VALDEZ | DATE: 07/29/21 | SCALE: 1:1 | SHEET # 1 OF 4 |
| CAD GENERATED DOCUMENT, DO NOT MEASURE DRAWING | | | |

| | | | |
|------|-------------|------|----------|
| REV. | DESCRIPTION | DATE | APPROVED |
| | See Page #1 | | |
| | | | |

| STANDARD OFFERING LIST | | | |
|------------------------|-----------------|-----------------|------------|
| PART NUMBER | X DIMENSION | Y DIMENSION | FACE |
| SLP3-200-100-F | 0.200" [5.1mm] | 0.100" [2.5mm] | FLAT FACE |
| SLP3-200-100-R | 0.200" [5.1mm] | 0.100" [2.5mm] | ROUND FACE |
| SLP3-200-150-F | 0.200" [5.1mm] | 0.150" [3.8mm] | FLAT FACE |
| SLP3-200-150-R | 0.200" [5.1mm] | 0.150" [3.8mm] | ROUND FACE |
| SLP3-200-200-R | 0.200" [5.1mm] | 0.200" [5.1mm] | ROUND FACE |
| SLP3-200-250-F | 0.200" [5.1mm] | 0.250" [6.4mm] | FLAT FACE |
| SLP3-250-100-F | 0.250" [6.4mm] | 0.100" [2.5mm] | FLAT FACE |
| SLP3-250-100-R | 0.250" [6.4mm] | 0.100" [2.5mm] | ROUND FACE |
| SLP3-300-100-F | 0.300" [7.6mm] | 0.100" [2.5mm] | FLAT FACE |
| SLP3-300-100-R | 0.300" [7.6mm] | 0.100" [2.5mm] | ROUND FACE |
| SLP3-300-250-F | 0.300" [7.6mm] | 0.250" [6.4mm] | FLAT FACE |
| SLP3-300-250-R | 0.300" [7.6mm] | 0.250" [6.4mm] | ROUND FACE |
| SLP3-300-450-F | 0.300" [7.6mm] | 0.450" [11.4mm] | FLAT FACE |
| SLP3-300-450-R | 0.300" [7.6mm] | 0.450" [11.4mm] | ROUND FACE |
| SLP3-350-100-F | 0.350" [8.9mm] | 0.100" [2.5mm] | FLAT FACE |
| SLP3-350-100-R | 0.350" [8.9mm] | 0.100" [2.5mm] | ROUND FACE |
| SLP3-350-200-F | 0.350" [8.9mm] | 0.200" [5.1mm] | FLAT FACE |
| SLP3-350-350-F | 0.350" [8.9mm] | 0.350" [8.9mm] | FLAT FACE |
| SLP3-400-100-F | 0.400" [10.2mm] | 0.100" [2.5mm] | FLAT FACE |
| SLP3-400-100-R | 0.400" [10.2mm] | 0.100" [2.5mm] | ROUND FACE |
| SLP3-400-250-F | 0.400" [10.2mm] | 0.250" [6.4mm] | FLAT FACE |
| SLP3-400-450-R | 0.400" [10.2mm] | 0.450" [11.4mm] | ROUND FACE |

CUSTOMER USE DRAWING

| | | | |
|---|-------|-------------------------------|----------------|
| | | BIVAR[®] | |
| CAGE CODE | 32559 | DRAWING NO: SLP3-XXX-XXX-X | REVISION: K |
| SHEET SIZE | A | SCALE: N/A | SHEET # 2 OF 4 |
| <small>CAD GENERATED DOCUMENT, DO NOT MEASURE DRAWING</small> | | | |

| | | | |
|------|-------------|------|----------|
| REV. | DESCRIPTION | DATE | APPROVED |
| | See Page #1 | | |
| | | | |

| STANDARD OFFERING LIST | | | |
|------------------------|-----------------|-----------------|------------|
| PART NUMBER | X DIMENSION | Y DIMENSION | FACE |
| SLP3-450-100-F | 0.450" [11.4mm] | 0.100" [2.5mm] | FLAT FACE |
| SLP3-450-100-R | 0.450" [11.4mm] | 0.100" [2.5mm] | ROUND FACE |
| SLP3-500-100-F | 0.500" [12.7mm] | 0.100" [2.5mm] | FLAT FACE |
| SLP3-500-100-R | 0.500" [12.7mm] | 0.100" [2.5mm] | ROUND FACE |
| SLP3-500-250-F | 0.500" [12.7mm] | 0.250" [6.4mm] | FLAT FACE |
| SLP3-500-250-R | 0.500" [12.7mm] | 0.250" [6.4mm] | ROUND FACE |
| SLP3-500-400-R | 0.500" [12.7mm] | 0.400" [10.2mm] | ROUND FACE |
| SLP3-500-450-R | 0.500" [12.7mm] | 0.450" [11.4mm] | ROUND FACE |
| SLP3-550-100-F | 0.550" [14.0mm] | 0.100" [2.5mm] | FLAT FACE |
| SLP3-550-100-R | 0.550" [14.0mm] | 0.100" [2.5mm] | ROUND FACE |
| SLP3-600-100-F | 0.600" [15.2mm] | 0.100" [2.5mm] | FLAT FACE |
| SLP3-600-100-R | 0.600" [15.2mm] | 0.100" [2.5mm] | ROUND FACE |
| SLP3-600-450-R | 0.600" [15.2mm] | 0.450" [11.4mm] | ROUND FACE |
| SLP3-650-100-F | 0.650" [16.5mm] | 0.100" [2.5mm] | FLAT FACE |
| SLP3-650-100-R | 0.650" [16.5mm] | 0.100" [2.5mm] | ROUND FACE |
| SLP3-700-100-F | 0.700" [17.8mm] | 0.100" [2.5mm] | FLAT FACE |
| SLP3-700-100-R | 0.700" [17.8mm] | 0.100" [2.5mm] | ROUND FACE |
| SLP3-700-450-R | 0.700" [17.8mm] | 0.450" [11.4mm] | ROUND FACE |

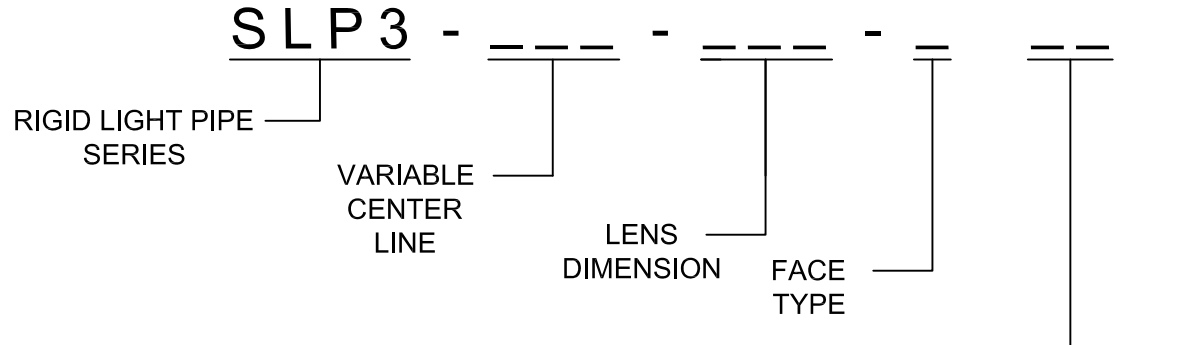
CUSTOMER USE DRAWING

| | | | |
|---|-------|-------------------------------|----------------|
| | | BIVAR[®] | |
| CAGE CODE | 32559 | DRAWING NO: SLP3-XXX-XXX-X | REVISION: K |
| SHEET SIZE | A | SCALE: N/A | SHEET # 3 OF 4 |
| <small>CAD GENERATED DOCUMENT, DO NOT MEASURE DRAWING</small> | | | |

| REV. | DESCRIPTION | DATE | APPROVED |
|------|-------------|------|----------|
| | See Page #1 | | |
| | | | |

OTHER AVAILABLE COLORS

* SEE TABLE FOR ORDERING INFORMATION



| COLOR | Order Code |
|--------|------------|
| BLUE | BE |
| BLACK | BK |
| GREEN | GN |
| GRAY | GY |
| RED | RD |
| YELLOW | YW |

NOTE: LEAVE ORDER CODE BLANK IF NO COLOR IS DESIRED.

CUSTOMER USE DRAWING

4. PARTS ARE DYED TO COLOR UPON REQUEST.

| | | | |
|---|--------------|--------------------------------------|-----------------------|
| | | BIVAR[®] | |
| CAGE CODE | 32559 | DRAWING NO: SLP3-XXX-XXX-X | REVISION: K |
| SHEET SIZE | A | SCALE: N/A | SHEET # 4 OF 4 |
| <small>CAD GENERATED DOCUMENT, DO NOT MEASURE DRAWING</small> | | | |