

## MST 1-PHASE CONTROL AND ISOLATION TRANSFORMER

P: 250VA IN: 208...550VAC OUT: 2x115VAC

Single-phase - Control and Isolation Transformers

250 VA

Isolation class T 40/B

Other voltages on request.

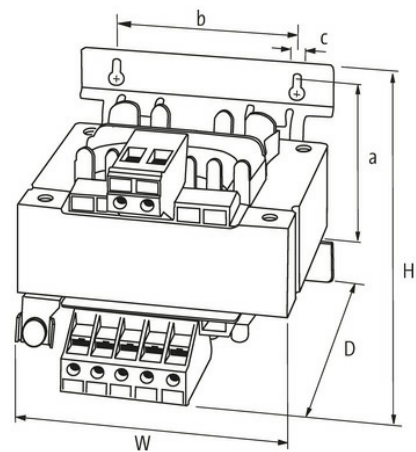
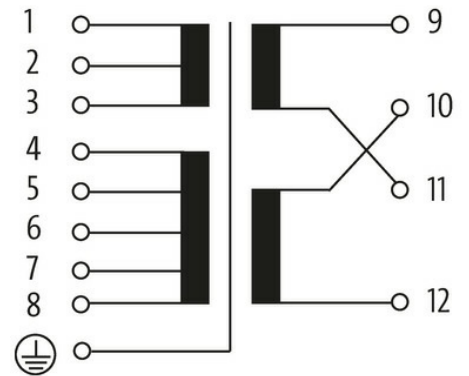
[Link to Product](#)

Illustration



INPUT

OUTPUT



Product may differ from Image

Approvals



More Info

## Bus technologies

**General data**

|                        |   |
|------------------------|---|
| Standards              | EN 61558-1, EN 61558-2-4, EN 62041 category 0   |
| Mounting method        | Key-hole mounting                               |
| Temperature range      | -20...+40 °C (storage temperature -20...+80 °C) |
| Test isolation voltage | 4 kV (prim./sec.)                               |
| Drill hole Ø           | 5.8×10 mm                                       |
| Fixing centers a×b×c   | 74.4×90 mm                                      |
| Dimensions H×W×D       | 104×120×122 mm                                  |

**Output**

|                |                             |
|----------------|-----------------------------|
| Output voltage | 1× 230, 1× 115, 2× 115 V AC |
| Output rating  | 250 VA                      |

**Input**

|                       |  |
|-----------------------|--|
| Input voltage         | 208, 230, 380, 400, 420, 440, 460, 480, 500, 525, 550 V AC |
| Inrush current        | 26 A (208 V AC); 9.6 A (550 V AC)                          |
| Short-circuit current | 25 A (208 V AC); 9.2 A (550 V AC)                          |
| Input current         | 1.36 A (208 V AC); 0.51 A (550 V AC)                       |
| Frequency             | 50...60 Hz   |

**Commercial data**

|                       |               |
|-----------------------|---------------|
| country of origin     | CZ            |
| customs tariff number | 85043180      |
| EAN                   | 4048879444729 |
| eClass                | 27031302      |
| Packaging unit        | 1.000         |