

**General Description**

The SN74LVC1G07 is a high performance single non-inverting buffer with open drain outputs operating from a 1.65 to 5.5V supply. The Output stage is open drain with Over Voltage Tolerance. This allows the SN74LVC1G07 to be used to interface 5.0V circuits to circuits of any voltage between 0 and +7.0V.

**Features**

- Tiny SC70-5, SOT23-5 and DFN6-1.0mm\*1.5mm Packages
- Designed for 1.65V to 5.5V V<sub>CC</sub> Operation
- 24 mA Output Sink Capability, Pullup may be between 0 and 7.0V
- Near Zero Static Supply Current Substantially Reduces System Power Requirements
- These Devices are Pb-Free and RoHS Compliant

**Pin Configuration**

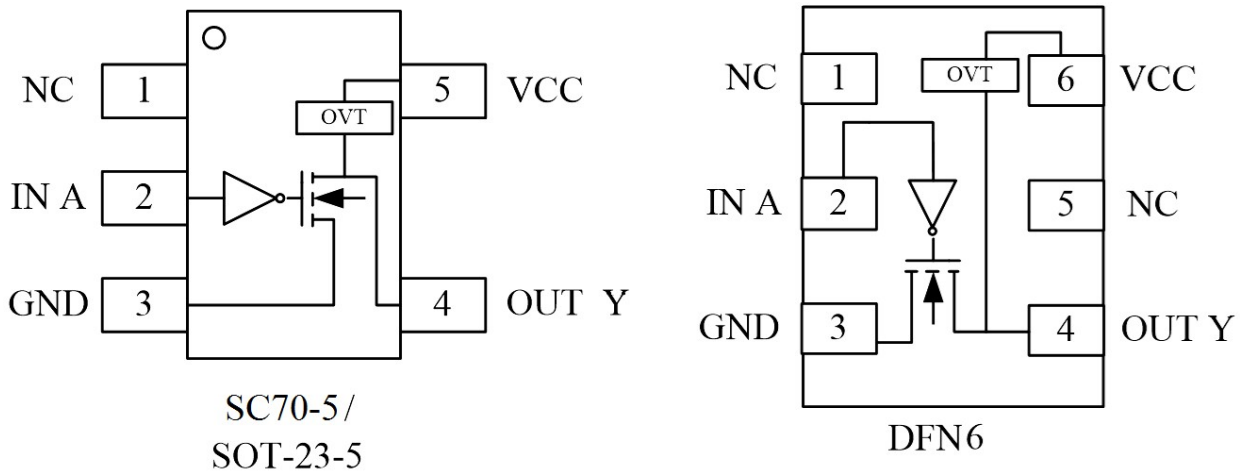


Figure1, Top View

**Pin Function**

(SC70-5/ SOT23-5)

| PIN | FUNCTION |
|-----|----------|
| 1   | NC       |
| 2   | IN A     |
| 3   | GND      |
| 4   | OUT      |
| 5   | VCC      |

(DFN6)

| PIN | FUNCTION |
|-----|----------|
| 1   | NC       |
| 2   | IN A     |
| 3   | GND      |
| 4   | OUT      |
| 5   | NC       |
| 6   | VCC      |

**Block Diagram**

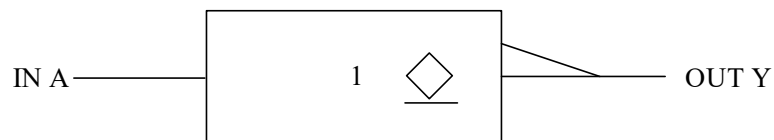


Figure 2. Logic Symbol

**Functional Description**

**Function Table**

| Input | Output |
|-------|--------|
| A     | Y      |
| L     | L      |
| H     | Z      |

**Absolute Maximum Ratings**

| Symbol        | Parameter  | Value                     | Unit |
|---------------|--|---------------------------|------|
| $V_{CC}$      | DC Supply Voltage  | -0.5 to 7.0               | V    |
| $V_I$         | DC Input Voltage   | $-0.5 \leq V_I \leq +7.0$ | V    |
| $V_O$         | DC Output Voltage Output in Higher or Low State (Note 1)           | -0.5 to $V_{CC} + 0.5$    | V    |
| $I_{IK}$      | DC Input Diode Current $V_I < GND$                                 | -50                       | mA   |
| $I_{OK}$      | DC Output Diode Current $V_O < GND, V_O > V_{CC}$                  | $\pm 50$                  | mA   |
| $I_O$         | DC Output Sink Current   | $\pm 50$                  | mA   |
| $I_{CC}$      | DC Supply Current per Supply Pin                                   | $\pm 100$                 | mA   |
| $I_{GND}$     | DC Ground Current per Supply Pin                                   | $\pm 100$                 | mA   |
| $T_{STG}$     | Storage Temperature Range  | -65 to 150                | °C   |
| $T_L$         | Lead Temperature, 1 mm from Case for 10 Seconds                    | 260                       | °C   |
| $T_J$         | Junction Temperature Under Bias                                    | 150                       | °C   |
| $\theta_{JA}$ | Thermal Resistance SC70-6  | 333                       | °C/W |
|               | SOT23-6  | 225                       |      |
|               | DFN6   | 423                       |      |
| $P_D$         | Power Dissipation in Still Air at 85°C                             | 200                       | mW   |
| MSL           | Moisture Sensitivity   | Level 1                   |      |
| ESD           | ESD Classification Human Body Model (Note 2)                       | 2000                      | V    |
|               | Machine Model (Note 3)   | 200                       |      |
|               | Charged Device Model (Note 4)                                      | N/A                       |      |
| $I_{Latchup}$ | Latchup Performance Above $V_{CC}$ and Below GND at 125°C (Note 5) | $\pm 100$                 | mA   |

Stresses exceeding those listed in the Maximum Ratings table may damage the device. If any of these limits are exceeded, device functionality should not be assumed, damage may occur and reliability may be affected.

1. IO absolute maximum rating must be observed.
2. Tested to EIA/JESD22-A114-A, rated to EIA/JESD22-A114-B.
3. Tested to EIA/JESD22-A115-A, rated to EIA/JESD22-A115-A.
4. Tested to JESD22-C101-A.
5. Tested to EIA/JESD78.

**Recommended Operating Conditions**

| Symbol     | Parameter   | Min  | Max | Unit |
|------------|---|------|-----|------|
| $V_{CC}$   | DC Supply Voltage Operating                         | 1.65 | 5.5 | V    |
|            | Date Retention                                      | 1.5  | 5.5 |      |
| $V_{IN}$   | DC Input Voltage                                    | 0    | 5.5 | V    |
| $V_{OUT}$  | DC Output Voltage (High or Low State)               | 0    | 5.5 | V    |
| $T_A$      | Operating Temperature Range                         | -40  | 85  | °C   |
| $t_r, t_f$ | Input Rise and Fall Time $V_{CC} = 2.5 V \pm 0.2 V$ | 0    | 20  | ns/V |
|            | $V_{CC} = 3.0 V \pm 0.3 V$                          | 0    | 10  |      |
|            | $V_{CC} = 5.0 V \pm 0.5 V$                          | 0    | 5   |      |

Functional operation above the stresses listed in the Recommended Operating Ranges is not implied.

**Electrical Characteristics**
**DC ELECTRICAL CHARACTERISTICS**

| Symbol           | Parameter  | Condition   | VCC(V)                   | TA = 25 °C                                |      |   | -40°C ≤TA≤85°C                            |   | Unit |
|------------------|--|---|--------------------------|---|------|---|---|---|------|
|                  |  |   |                          | Min                                       | Typ  | Max                                       | Min                                       | Max                                       |      |
| V <sub>IH</sub>  | High-Level Input Voltage                                   |   | 1.65to1.95<br>2.3 to 5.5 | 0.75V <sub>cc</sub><br>0.7V <sub>cc</sub> |      |   | 0.75V <sub>cc</sub><br>0.7V <sub>cc</sub> |   | V    |
| V <sub>IL</sub>  | Low-Level Input Voltage                                    |   | 1.65to1.95<br>2.3 to 5.5 |   |      | 0.25V <sub>cc</sub><br>0.3V <sub>cc</sub> |   | 0.25V <sub>cc</sub><br>0.3V <sub>cc</sub> | V    |
| V <sub>OL</sub>  | Low-Level Output Voltage V <sub>IN</sub> = V <sub>IL</sub> | I <sub>OL</sub> =100uA                              | 1.65to5.5                |   | 0.0  | 0.1                                       |   | 0.1                                       | V    |
|                  |  | I <sub>OL</sub> =3mA                                | 1.65                     |   | 0.08 | 0.24                                      |   | 0.24                                      |      |
|                  |  | I <sub>OL</sub> =8mA                                | 2.3                      |   | 0.20 | 0.3                                       |   | 0.3                                       |      |
|                  |  | I <sub>OL</sub> =12mA                               | 2.7                      |   | 0.22 | 0.4                                       |   | 0.4                                       |      |
|                  |  | I <sub>OL</sub> =16mA                               | 3.0                      |   | 0.28 | 0.4                                       |   | 0.4                                       |      |
|                  |  | I <sub>OL</sub> =24mA                               | 3.0                      |   | 0.38 | 0.55                                      |   | 0.55                                      |      |
|                  |  | I <sub>OL</sub> =32mA                               | 4.5                      |   | 0.42 | 0.55                                      |   | 0.55                                      |      |
| I <sub>IN</sub>  | Input Leakage Current                                      | V <sub>IN</sub> = 5.5 V or GND                      | 0 to 5.5                 |   |      | ±0.1                                      |   | ±1.0                                      | uA   |
| I <sub>OFF</sub> | Power Off Leakage Current                                  | V <sub>IN</sub> = 5.5 V or V <sub>OUT</sub> = 5.5 V | 0                        |   |      | 1   |   | 10  | uA   |
| I <sub>CC</sub>  | Quiescent Supply Current                                   | V <sub>IN</sub> = 5.5 V or GND                      | 5.5                      |   |      | 1   |   | 10  | uA   |

Product parametric performance is indicated in the Electrical Characteristics for the listed test conditions, unless otherwise noted. Product performance may not be indicated by the Electrical Characteristics if operated under different conditions.

**AC ELECTRICAL CHARACTERISTICS tr=tf= 2.5ns;**

| Symbol           | Parameter                       | Condition                                    | Vcc(V) | TA = 25 °C |     |      | -40°C ≤TA≤85°C |      | Unit |
|------------------|---------------------------------|--|--------|------------|-----|------|----------------|------|------|
|                  |                                 |  |        | Min        | Typ | Max  | Min            | Max  |      |
| t <sub>pZL</sub> | Propagation Delay (Figure3and4) | R <sub>L</sub> = 500Ω C <sub>L</sub> = 15 pF | 1.8    | 2.0        | 9.1 | 11.1 | 2.0            | 12.8 | ns   |
|                  |                                 |  | 2.5    | 1.5        | 6.1 | 7.5  | 1.5            | 8.5  |      |
|                  |                                 |  | 3.3    | 1.2        | 4.9 | 6.0  | 1.5            | 6.9  |      |
|                  |                                 |  | 5.0    | 0.8        | 3.9 | 4.9  | 0.8            | 5.5  |      |
| t <sub>pLZ</sub> | Propagation Delay (Figure3and4) | R <sub>L</sub> = 500Ω C <sub>L</sub> = 15 pF | 1.8    | 2.0        | 9.1 | 11.1 | 2.0            | 12.8 | ns   |
|                  |                                 |  | 2.5    | 1.5        | 5.9 | 7.3  | 1.5            | 8.3  |      |
|                  |                                 |  | 3.3    | 1.2        | 3.9 | 4.9  | 1.5            | 5.5  |      |
|                  |                                 |  | 5.0    | 0.8        | 3.0 | 3.7  | 0.8            | 4.2  |      |

**CAPACITIVE CHARACTERISTICS**

| Symbol          | Parameter                                 | Condition  | Typical | Unit |
|-----------------|---|--|---------|------|
| C <sub>IN</sub> | Input Capacitance                         | V <sub>CC</sub> = 5.5 V, V <sub>I</sub> = 0 V or V <sub>CC</sub>         | >2.5    | pF   |
| C <sub>PD</sub> | Power Dissipation Capacitance<br>(Note 6) | 10 MHz, V <sub>CC</sub> = 3.3 V, V <sub>I</sub> = 0 V or V <sub>CC</sub> | 26      | pF   |
|                 |   | 10 MHz, V <sub>CC</sub> = 5.5 V, V <sub>I</sub> = 0 V or V <sub>CC</sub> | 30      |      |

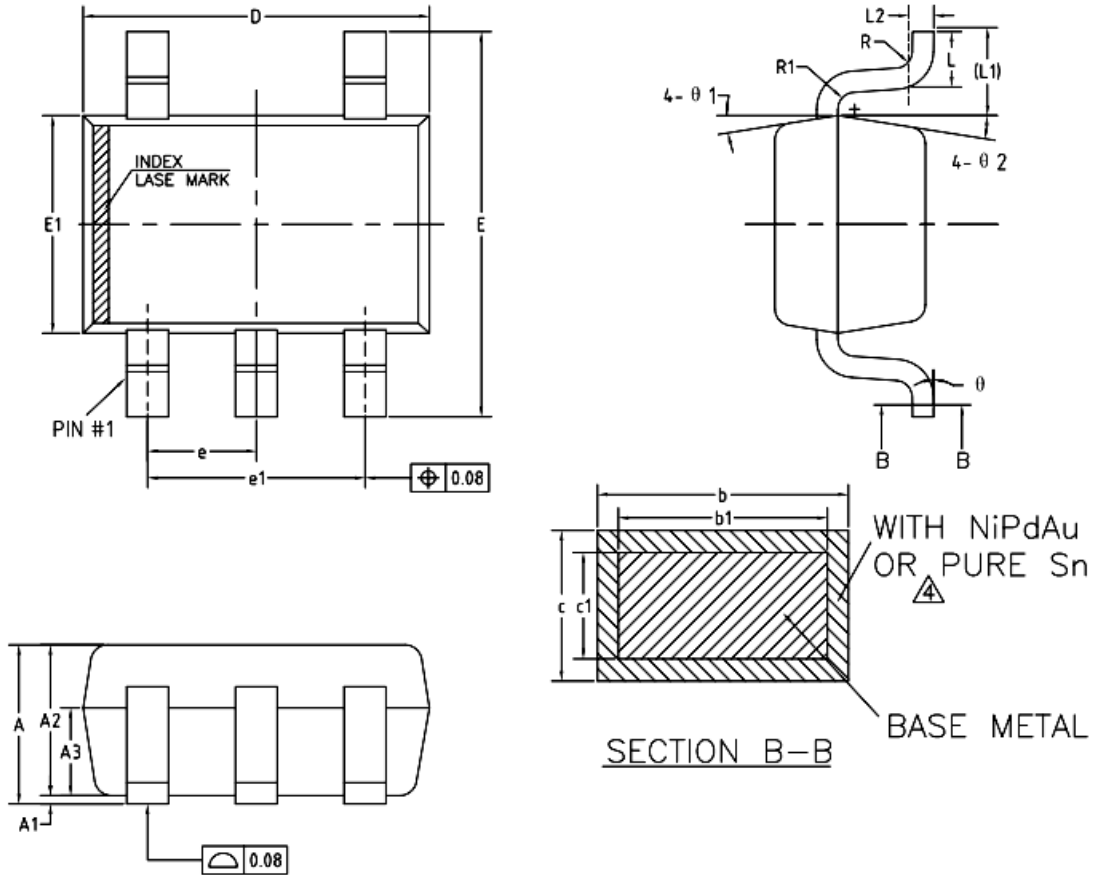
6. CPD is defined as the value of the internal equivalent capacitance which is calculated from the operating current consumption without load. Average operating current can be obtained by the equation:

$ICC(OPR)=CPD*VCC*fin+ICC*CPD$  is used to determine the no-load dynamic power consumption;

$PD=CPD*VCC2*fin+ICC*VCC*Fig.$

Package Dimension

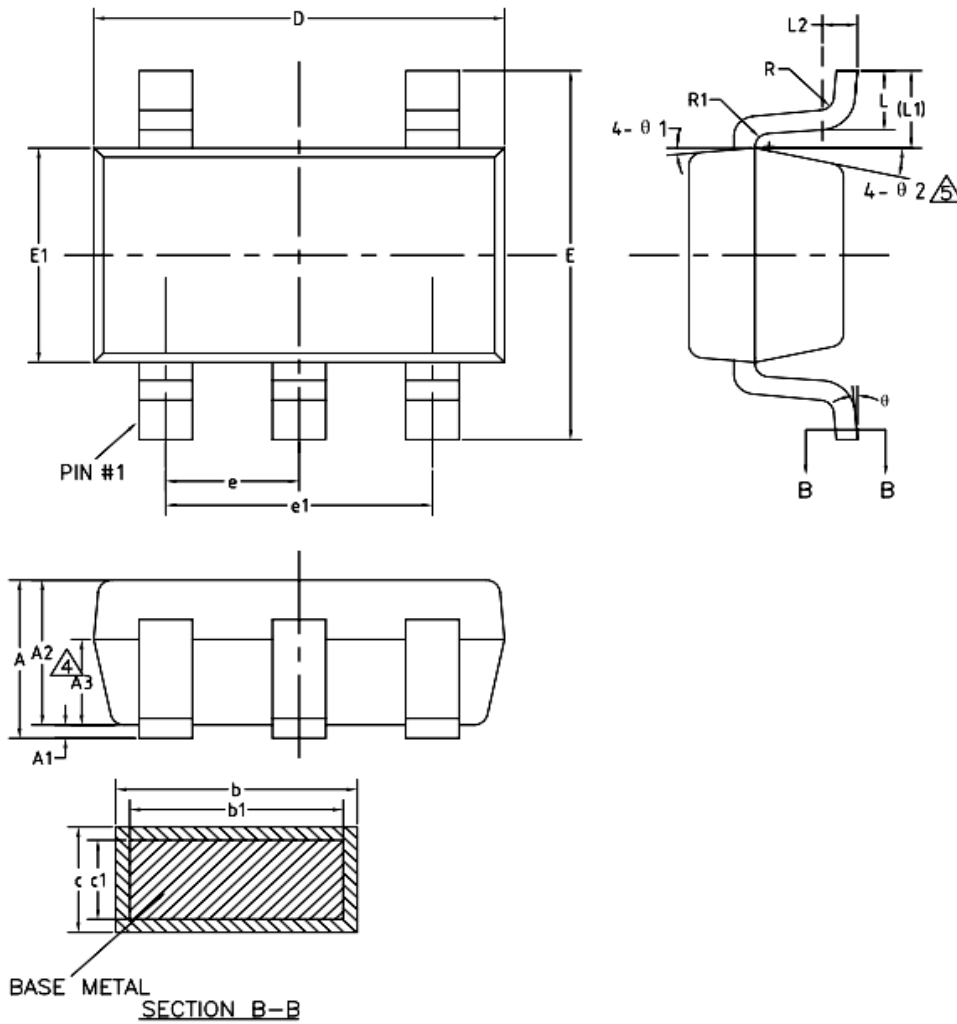
SC70-5








COMMON DIMENSIONS  
(UNITS OF MEASURE=MILLIMETER)

| SYMBOL | MIN          | NOM  | MAX  |
|--------|--------------|------|------|
| A      | 0.85         | —    | 1.05 |
| A1     | 0            | —    | 0.10 |
| A2     | 0.80         | 0.90 | 1.00 |
| A3     | 0.47         | 0.52 | 0.57 |
| b      | NiPdAu 0.22  | —    | 0.29 |
|        | PURE Sn 0.23 | —    | 0.33 |
| b1     | 0.22         | 0.25 | 0.28 |
| c      | NiPdAu 0.115 | —    | 0.15 |
|        | PURE Sn 0.12 | —    | 0.18 |
| c1     | 0.115        | 0.13 | 0.14 |
| D      | 2.02         | 2.07 | 2.12 |
| E      | 2.20         | 2.30 | 2.40 |
| E1     | 1.25         | 1.30 | 1.35 |
| e      | 0.60         | 0.65 | 0.70 |
| e1     | 1.20         | 1.30 | 1.40 |
| L      | 0.28         | 0.33 | 0.38 |
| L1     | 0.50REF      |      |      |
| L2     | 0.15BSC      |      |      |
| R      | 0.10         | —    | —    |
| R1     | 0.10         | —    | 0.25 |
| θ      | 0°           | —    | 8°   |
| θ 1    | 6°           | 9°   | 12°  |
| θ 2    | 6°           | 9°   | 12°  |

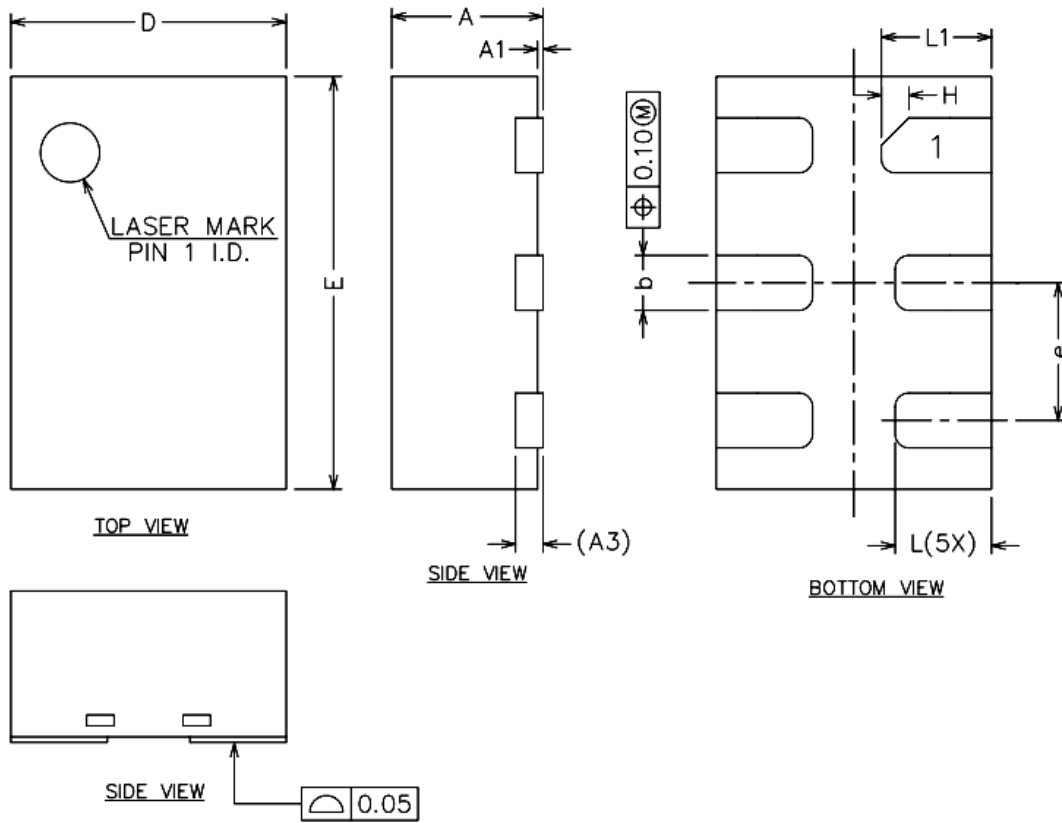
SOT23-5



COMMON DIMENSIONS  
(UNITS OF MEASURE=MILLIMETER)

| SYMBOL  | MIN     | NOM   | MAX   |
|---|---------|-------|-------|
| A   | —       | —     | 1.25  |
|  A1  | 0       | —     | 0.15  |
| A2  | 1.00    | 1.10  | 1.20  |
| A3  | 0.60    | 0.65  | 0.70  |
| b   | 0.36    | —     | 0.50  |
| b1  | 0.36    | 0.38  | 0.45  |
| c   | 0.14    | —     | 0.20  |
| c1  | 0.14    | 0.15  | 0.16  |
| D   | 2.826   | 2.926 | 3.026 |
| E   | 2.60    | 2.80  | 3.00  |
| E1  | 1.526   | 1.626 | 1.726 |
|  e   | 0.90    | 0.95  | 1.00  |
|  e1  | 1.80    | 1.90  | 2.00  |
| L   | 0.35    | 0.45  | 0.60  |
| L1  | 0.59REF |       |       |
| L2  | 0.25BSC |       |       |
| R   | 0.10    | —     | —     |
| R1  | 0.10    | —     | 0.25  |
| θ   | 0°      | —     | 8°    |
|  θ 1 | 3°      | 5°    | 7°    |
|  θ 2 | 6°      | —     | 14°   |

DFN6



COMMON DIMENSIONS  
(UNITS OF MEASURE=MILLIMETER)

| SYMBOL | MIN     | NOM  | MAX  |
|--------|---------|------|------|
| A      | 0.50    | —    | 0.60 |
| A1     | 0.00    | 0.02 | 0.05 |
| A3     | 0.10REF |      |      |
| b      | 0.15    | 0.20 | 0.25 |
| D      | 0.90    | 1.00 | 1.10 |
| E      | 1.40    | 1.50 | 1.60 |
| e      | 0.40    | 0.50 | 0.60 |
| H      | 0.10REF |      |      |
| L      | 0.30    | 0.35 | 0.40 |
| L1     | 0.35    | 0.40 | 0.45 |



**Ordering information**

| Order code          | Marking code | Package | Baseqty | Deliverymode  |
|---------------------|--------------|---------|---------|---------------|
| UMW SN74LVC1G07DBVR | C075         | SOT23-5 | 3000    | Tape and reel |
| UMW SN74LVC1G07DCKR | CV5          | SC70-5  | 3000    | Tape and reel |
| UMW SN74LVC1G07DRYR | CV           | DFN6    | 3000    | Tape and reel |