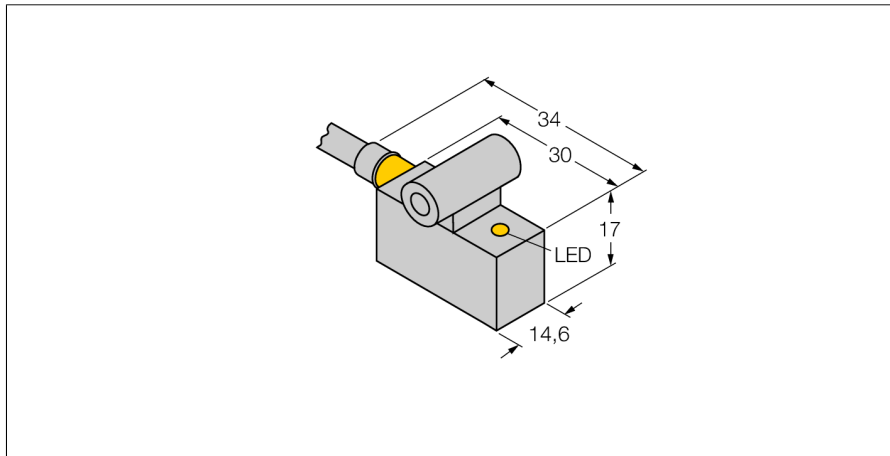
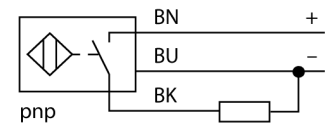


**Magnetic field sensor  
for pneumatic cylinders  
BIM-IKT-AP6X**



- Rectangular, height 17 mm
- Metal, GD-Zn
- Magnetic-inductive sensor
- DC 3-wire, 10...30 VDC
- NO contact, PNP output
- Cable connection

**Wiring Diagram**



**Functional principle**

Magnetic field sensors are activated by magnetic fields and are especially suited for piston position detection in pneumatic cylinders. Based on the fact that magnetic fields can permeate non-magnetizable metals, it is possible to detect a permanent magnet attached to the piston through the aluminium wall of the cylinder.

<b>Type code</b>	BIM-IKT-AP6X
Ident no.	46200
<b>Pass speed</b>	≤ 10 m/s
Repeatability	≥ ± 0.1 mm
Temperature drift	≤ 0.1 mm
Hysteresis	≤ 1 mm
Ambient temperature	-25...+70 °C
<b>Operating voltage</b>	10... 30VDC
Residual ripple	≤ 10 % U <sub>s</sub>
DC rated operational current	≤ 200 mA
No-load current I <sub>0</sub>	≤ 15 mA
Residual current	≤ 0.1 mA
Rated insulation voltage	≤ 0.5 kV
Short-circuit protection	yes/ cyclic
Voltage drop at I <sub>0</sub>	≤ 1.8 V
Wire breakage / Reverse polarity protection	yes/ complete
Output function	3-wire, NO contact, PNP
Switching frequency	1 kHz
<b>Construction</b>	rectangular, IKT
Dimensions	30 x 14.6 x 17 mm
Housing material	Metal, GD-Zn
Active area material	Plastic, PA
Connection	cable
Cable quality	5.2 mm, LifYY, PVC, 2m
Cable cross section	3 x 0.34 mm <sup>2</sup>
Vibration resistance	55 Hz (1 mm)
Shock resistance	30 g (11 ms)
Protection class	IP67
MTTF	2283 years acc. to SN 29500 (Ed. 99) 40 °C
Mounting on the following profiles	.
Cylindrical design	
<b>Switching state</b>	LED yellow

**Magnetic field sensor  
for pneumatic cylinders  
BIM-IKT-AP6X**

**TURCK**

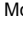
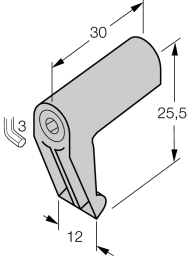
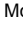
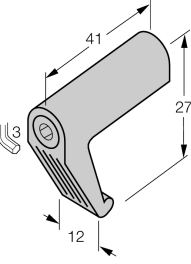

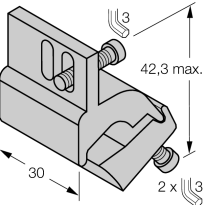
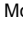
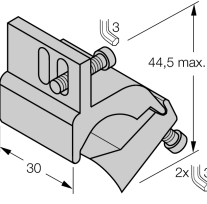

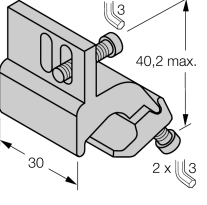
Industrial  
Automation

**Magnetic field sensor  
for pneumatic cylinders  
BIM-IKT-AP6X**

**TURCK**


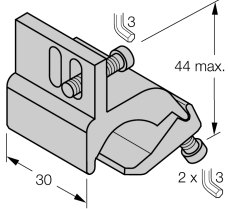

Industrial  
Automation

**Accessories**

Type code	Ident no.	Description	Design
KLI 1 KLEMMSTÜCK	69710	Mounting on  tie-rod cylinders; cylinder diameter 32...100 mm; material: Die-cast zinc	
KLI 3 KLEMMSTÜCK	69712	Mounting on  tie-rod cylinders; cylinder diameter 63...160 mm; material: Die-cast zinc	
KLI 5Z KLEMMSTÜCK	6971803	Mounting on  tie-rod cylinders; cylinder diameter 32...63 mm; material: Aluminum	
KLI 6Z KLEMMSTÜCK	6971806	Mounting on  tie-rod cylinders; cylinder diameter 50...125 mm; material: Aluminum	
KLI 5 KLEMMSTÜCK	6971802	Mounting on  profile cylinder; cylinder diameter 32...50 mm; material: Aluminium	

**Magnetic field sensor  
for pneumatic cylinders  
BIM-IKT-AP6X**

**Accessories**

Type code	Ident no.	Description	Design
KLI 6 KLEMMSTÜCK	6971805	Mounting on  profile cylinder; cylinder diameter 50...100 mm; material: Aluminium	
KLI 7 KLEMMSTÜCK	6971810	Mounting on  profile cylinder with external dovetail grooves; diameter 32...200 mm; material: Aluminium	