

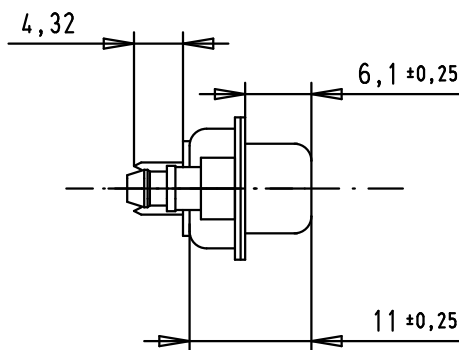
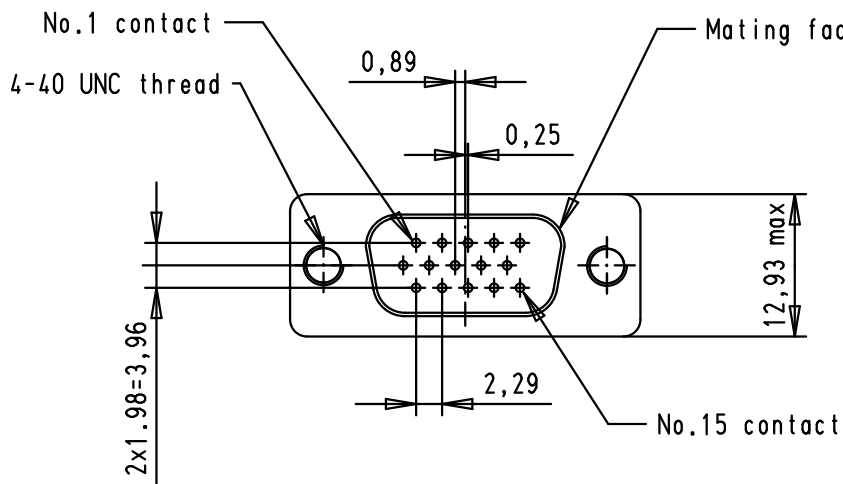
5

4

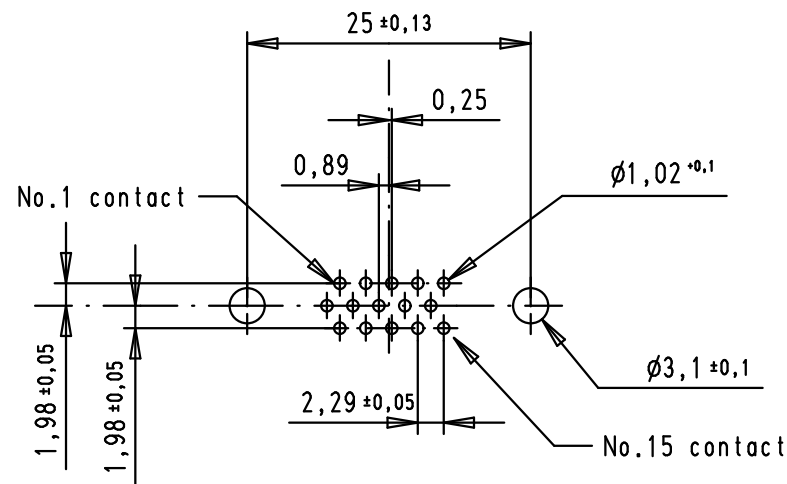
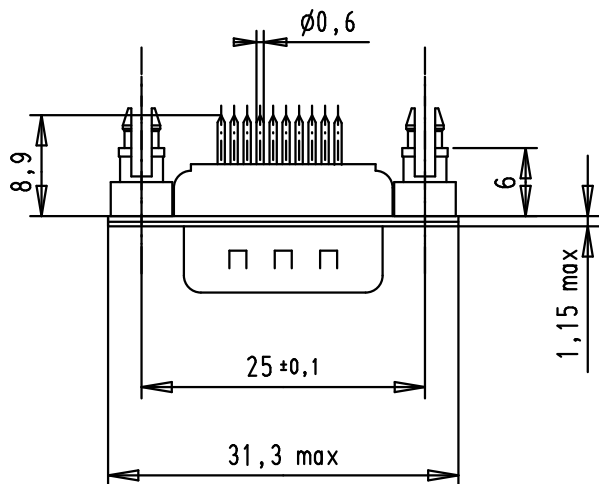
3

2

1



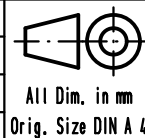
Printed board layout, component side
PCB thickness 1,6mm



A

09561615712	0.76 $\mu\text{m Au}$
09561617712	3
Part number	Performance level

Mod.	Dat.	Name	Dat.	Name	
			Detail.	03/06/03	S.H.
36182	13/10/10	BH	Insp.		
32735	18/03/05	AL	Stand.		
31874	05/03/04	A.C.	HARTING EUROL F-95972 Paris		
31503	03/06/03	S.H.			



Dsub, 15 poles, male,
straight solder pins,
board locks,
shell with dimples

Maßstab/
Scale

1.5:1



TB 0956161x712

Blatt/ Page

1/1

Sub.